

SERVICE PARTS LIST

BULLETIN NO.
54-05-0477

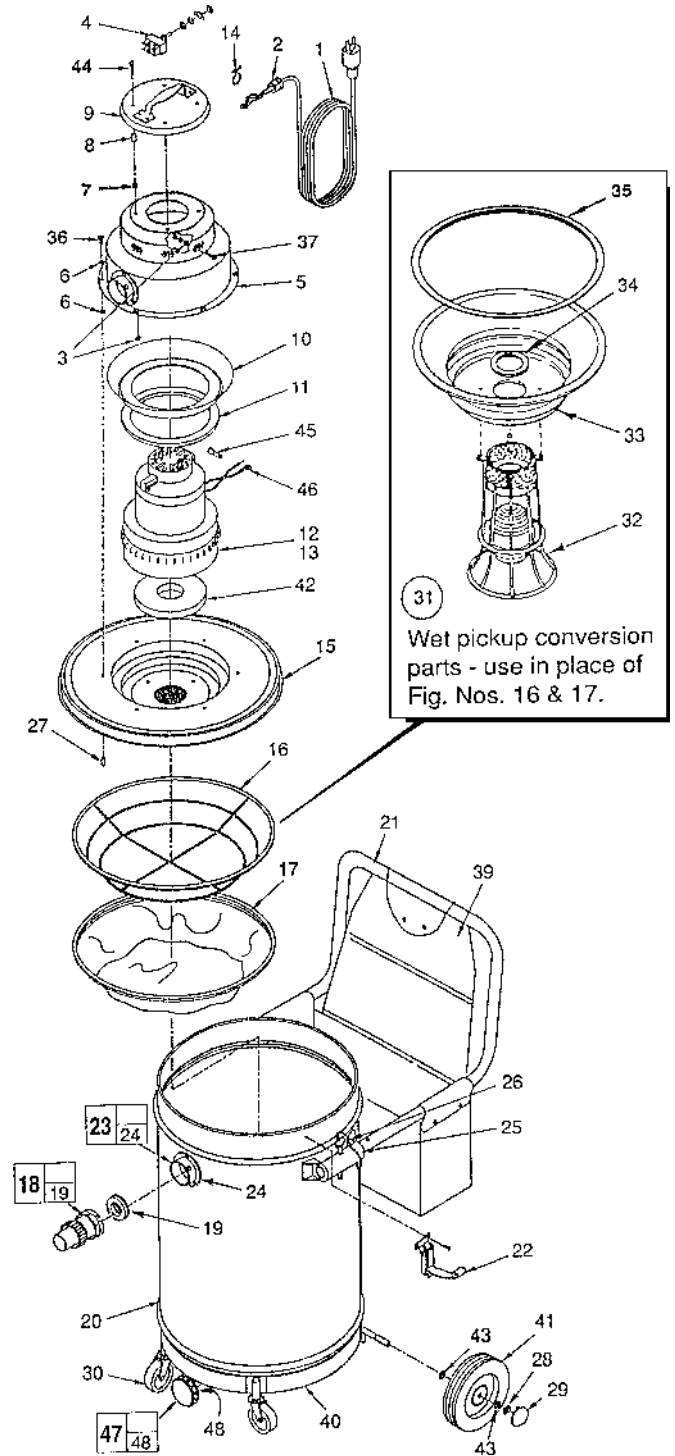
| | | | |
|---|-------------|--|-------------------|
| SPECIFY CATALOG NO. AND SERIAL NO. WHEN ORDERING PARTS | | REVISED BULLETIN 54-05-0476 | DATE Jan. 2001 |
| HEAVY-DUTY S.S. VACUUM CLEANER | | | |
| CATALOG NO. | 8925 | STARTING SERIAL NO. | 634A |
| | | WIRING INSTRUCTION SEE REVERSE SIDE | |

EXAMPLE:



Component Parts (Small #)
Are Included When Ordering
The Assembly (Large #).

| FIG. PART NO. | DESCRIPTION OF PART | NO. REQ. |
|---------------|--|----------|
| 1 | 22-64-0700 Cord Set | (1) |
| 2 | 44-76-0020 Strain Relief | (1) |
| ★ 3 | 06-55-3800 10-24 Hex Nut | (7) |
| 4 | 23-66-0870 Switch | (1) |
| ★ 5 | 42-92-1055 Dome Assembly | (1) |
| ★ 6 | 45-88-8680 #12 Internal Tooth Lockwasher | (2) |
| ★ 7 | 45-88-8695 .37 Dia. x .18 Nylon Spacer | (4) |
| ★ 8 | 45-88-8700 .37 Dia. x .56 Nylon Spacer | (4) |
| ★ 9 | 44-66-6175 Dome Cap With Handle | (1) |
| ★ 10 | 42-04-3595 Baffle | (1) |
| ★ 11 | 43-44-1025 Top Motor Gasket | (1) |
| ★ 12 | 23-30-0305 3 Stage Motor | (1) |
| ★ 13 | 22-18-0905 Carbon Brush and Holder (Set) | (1) |
| ★ 14 | 22-38-0170 Wire Tie | (1) |
| ★ 15 | 42-92-1060 Cover Assembly | (1) |
| ★ 16 | 49-90-0275 Wire Frame | (1) |
| ★ 17 | 49-90-0265 Cloth Filter and Gasket | (1) |
| 18 | 49-90-0150 Swivel End Connector | (1) |
| 19 | 43-44-0275 Fitted Gasket | (1) |
| 20 | 42-51-0390 Stainless Steel Dust Container Assembly (Incl. Fig. Nos. 21 thru 26 and 47 & 48) | (1) |
| 21 | 43-62-0920 Push Handle | (1) |
| 22 | 42-68-0291 Holddown Clamp | (3) |
| 23 | 42-86-0080 Inlet Connector Assembly | (1) |
| 24 | 43-44-0370 Gasket | (1) |
| 25 | 42-36-1550 Handle Bracket | (2) |
| 26 | 44-60-0860 Pin and Ring Assembly | (2) |
| ★ 27 | 44-76-0275 Screw Tip Protector | (6) |
| 28 | 06-57-7505 Pal Nut | (2) |
| 29 | 42-52-0220 Hub Cap | (2) |
| 30 | 45-94-0140 Swivel Bearing Caster | (2) |
| 31 | 49-90-1610 Wet Pick-up Conversion Pan Assembly (Incl. Fig. Nos. 32 thru 35) | (1) |
| 32 | 42-46-0110 Float Cage Assembly | (1) |
| 33 | 44-54-0050 Wet Pan Adapter | (1) |
| 34 | 43-44-0340 Shut Off Gasket | (1) |
| 35 | 43-44-0330 Gasket | (1) |
| ★ 36 | 06-81-1815 12 x 1/2 Phillips Type B Pan Hd. Screw | (6) |
| ★ 37 | 06-81-1812 10-24 x 3/4" Phlp. Screw | (1) |
| ★ 38 | 49-90-0351 Filter Bags (Package of Five) Not Shown | (1) |
| 39 | 49-90-0250 Tool Caddy Bag | (1) |
| 40 | 43-08-0190 Dolly Ring Body | (1) |
| 41 | 45-94-0130 Wheel | (2) |
| ★ 42 | 43-44-1030 Bottom Motor Gasket | (1) |
| ★ 43 | 45-88-5253 Washer | (4) |
| ★ 44 | 06-81-1825 10-24 x 1" Round Hd. Phlp. Screw | (4) |
| ★ 45 | 23-71-0010 Wire Nut | (4) |
| ★ 46 | 23-74-1280 Terminal | (1) |
| ★ 47 | 45-80-0160 Drain Assembly | (1) |
| 48 | 43-44-0720 Gasket | (1) |
| ★ | 12-20-8900 Service Nameplate Kit | (1) |
| ★ | 10-20-8900 Warning Label | (1) |
| ★ | 10-05-5050 Conversion Label | (1) |



WIRING SCHEMATIC

8911, 8912, 8912-2, 8925, 8925-2
8926, 8935, 8945, 8945-2

