



SERVICE PARTS LIST

BULLETIN NO.
54-05-0327

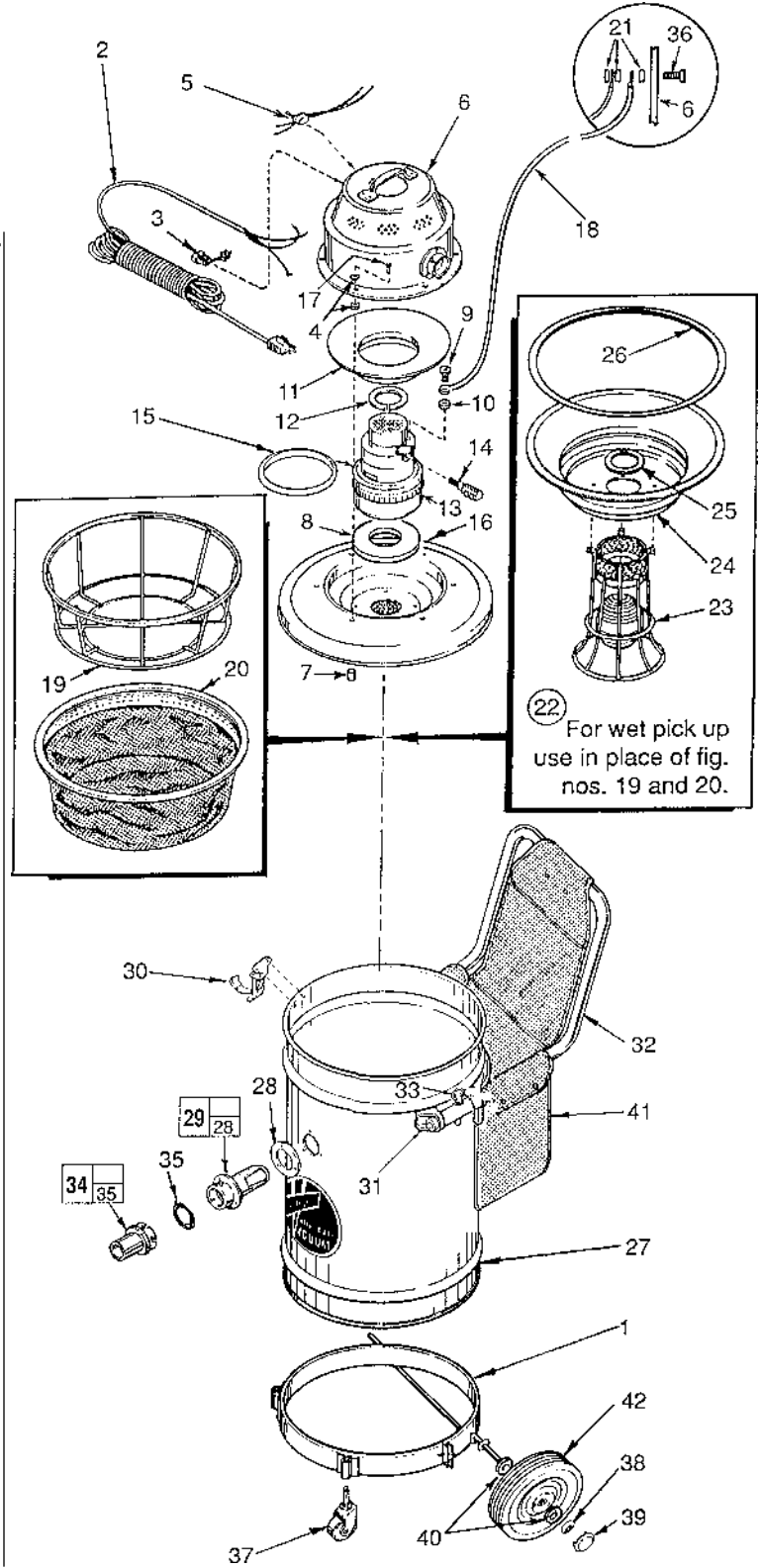
SPECIFY CATALOG NO. AND SERIAL NO. WHEN ORDERING PARTS		REVISED BULLETIN 54-05-0326	DATE Jan. 2001
HEAVY-DUTY VACUUM CLEANER			
CATALOG NO. 8911	STARTING SERIAL NO. 637A	WIRING INSTRUCTION SEE REVERSE SIDE	

EXAMPLE:



Component Parts (Small #)
Are Included When Ordering
The Assembly (Large #).

FIG.	PART NO.	DESCRIPTION OF PART	NO. REQ.
	1	Dolly Ring Body	(1)
	2	Cord Set	(1)
	3	Cord Protector	(1)
★	4	#4 Lockwasher	(2)
	5	Switch	(1)
	6	Motor Cover Assembly	(1)
★	7	Screw Protector	(6)
★	8	Gasket	(1)
★	9	10-32 x .31 Screw	(1)
★	10	#10 Lockwasher	(1)
	11	Motor Adapter	(1)
	12	Motor Top Gasket	(1)
	13	Small Bypass Motor Assembly	(1)
★	14	Carbon Brush and Holder (Set)	(1)
★	15	Motor Gasket	(1)
	16	Container Cover with Screen	(1)
★	17	12-14 x 1/2" Screw	(6)
★	18	Lead Wire	(1)
★	19	Wire Frame	(1)
★	20	Cloth Filter and Gasket	(1)
★	21	10-24 Hex Nut	(3)
	22	Wet Pick-Up Conversion Pan Assembly (Includes Fig. Nos. 23 thru 26)	(1)
	23	Float Cage Assembly	(1)
	24	Wet Pan Adapter	(1)
	25	Shut Off Gasket	(1)
	26	Gasket	(1)
	27	Steel Dust Container Assembly (Includes Fig. Nos. 28 thru 33)	(1)
	28	Gasket	(1)
	29	Inlet Connector Assembly	(1)
★	30	Holddown Clamp	(3)
	31	Handle Bracket	(2)
	32	Push Handle	(1)
	33	Pin and Ring Assembly	(2)
	34	Swivel End Connector	(1)
	35	Gasket	(1)
★	36	10-24 x 3/4" Screw	(1)
★	37	Swivel Bearing Caster	(2)
	38	Pal Nut	(2)
	39	Hub Cap	(2)
★	40	Washer	(4)
	41	Tool Caddy	(1)
	42	Wheel	(2)
★	43	Paper Filter Bags (Package of 5)	(1)
★	44	Wire Nut	(4)
★	45	Wire Tie	(2)
★	46	Conversion Label	(1)
★	47	Warning Label	(1)
★	48	Service Nameplate Kit	(1)



WIRING SCHEMATIC

8911, 8912, 8912-2, 8925, 8925-2

8926, 8935, 8945, 8945-2

