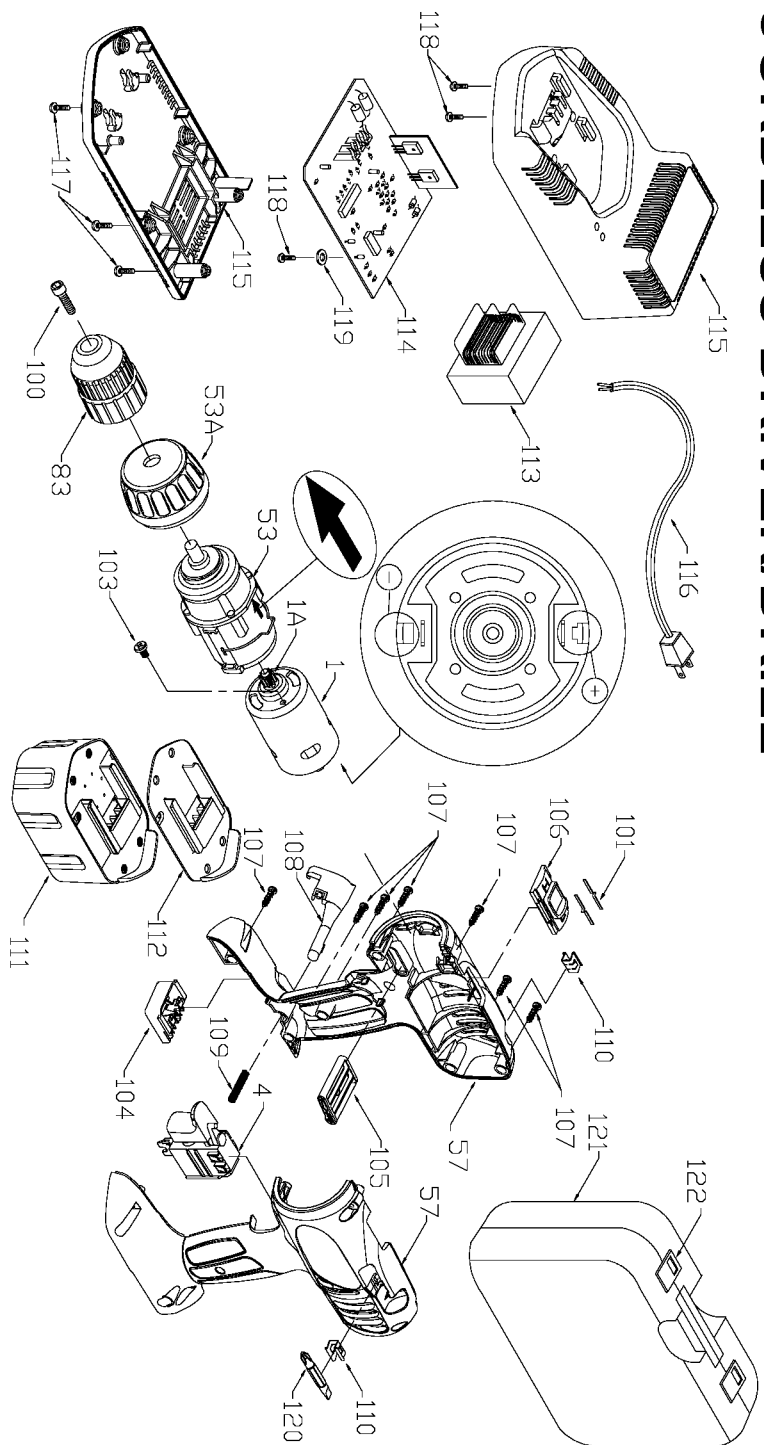


PORTER-CABLE CORDLESS DRIVER/DRILL

WARNING: Electrical repairs should only be attempted by trained repairmen. Contact the nearest Porter-Cable Service Center or other competent repair center.

878



Parts List for 878 Type 1

| Item Number | Part Number | Description | Qty Required |
|-------------|-------------|----------------------|--------------|
| 1 | 891285 | MTR 14.4V/2AMP-HR | 1 |
| 1 | 891238 | PINION | 1 |
| 4 | 893101 | SWITCH | 1 |
| 53 | 891239 | GEAR BOX/CLUTCH ASSY | 1 |
| 53 | 891242 | CLUTCH RING | 1 |
| 57 | 891321 | HANDLE SET | 1 |
| 83 | 895507 | CHUCK | 1 |
| 100 | 894098 | SCREW | 10 |
| 101 | 897046 | SPRING CLIP | 2 |
| 103 | 897120 | SCREW | 10 |
| 104 | 891033 | CONTACT ASSY. | 1 |
| 105 | 891247 | FWRD/REVRSE SELECTOR | 1 |
| 106 | 891244 | SPEED SLECTOR | 1 |
| 107 | 888993 | SCREW | 10 |
| 108 | 891352 | RELEASE BUTTON | 1 |
| 109 | 891353 | SPRING | 10 |
| 110 | 892955 | CLIP | 10 |
| 111 | 8723 | 14.4V BATTERY | 1 |
| 112 | 901561 | BATTERY TOP | 1 |
| 113 | 899517 | TRANSFORMER | 1 |
| 113 | 8924 | UNIVERSAL CHARGER | 1 |
| 114 | 000000-00 | No Longer Available | 1 |
| 114 | 894366 | CIRCUIT BOARD | 1 |
| 114 | 897154 | CHARGER | 1 |
| 115 | 894096 | HOUSING SET | 1 |
| 115 | 894809 | HOUSING | 1 |
| 116 | 897106 | CORD | 1 |

Parts List for 878 Type 1

| Item Number | Part Number | Description | Qty Required |
|-------------|-------------|---------------------|--------------|
| 116 | 893719 | CORD | 1 |
| 117 | 894120 | SCREW | 10 |
| 117 | 894119 | SCREW | 10 |
| 118 | 000000-00 | No Longer Available | 1 |
| 119 | 895781 | WASHER | 10 |
| 120 | 698950 | BIT | 1 |
| 121 | 895539 | CARRYING CASE | 1 |
| 121 | 891260 | CARRYING CASE | 1 |
| 122 | 887712 | LATCH CARRYING CASE | 1 |
| 122 | 890390 | LATCH | 1 |
| 125 | 897154 | CHARGER | 1 |
| 125 | 000000-00 | No Longer Available | 1 |