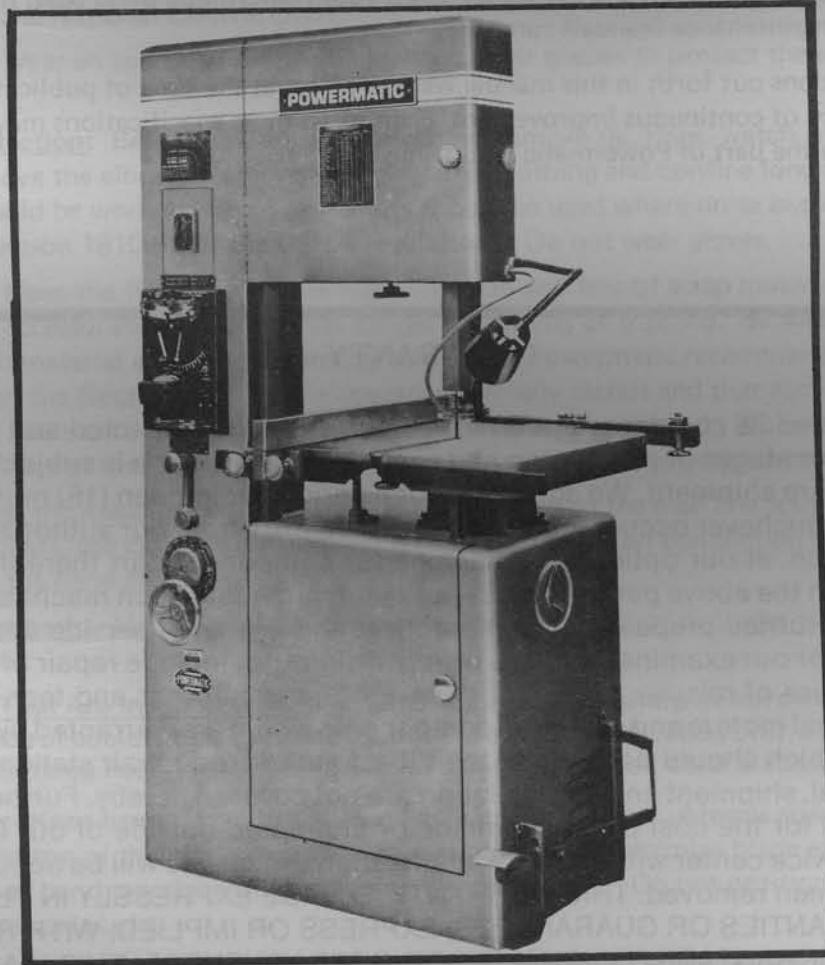


Model 87
20" (508mm) Band Saw

MAINTENANCE INSTRUCTIONS AND PARTS LIST

Price \$2.50



POWERMATIC®

Strength and performance right down the line.

POWERMATIC  OUDAILLE, INC.
McMinnville, Tennessee 37110 AC 615-473-5551

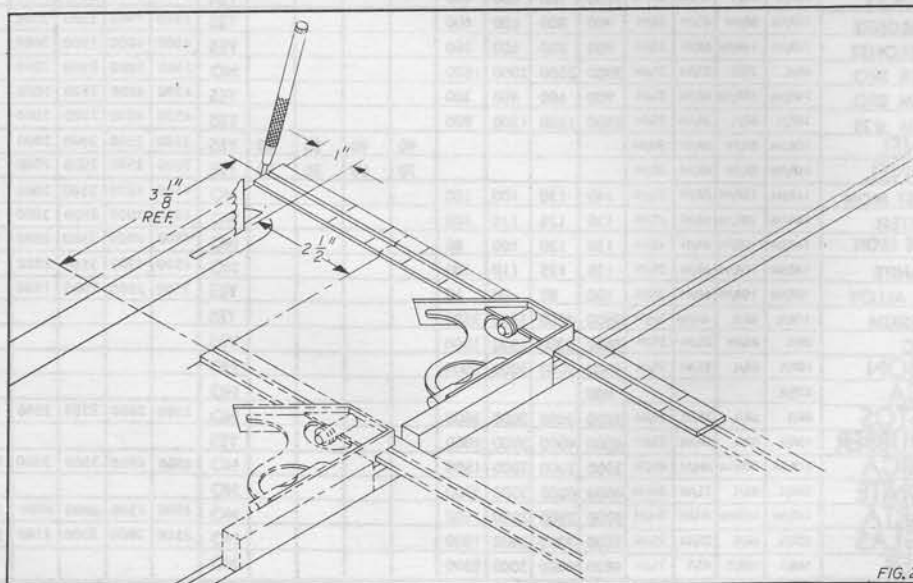
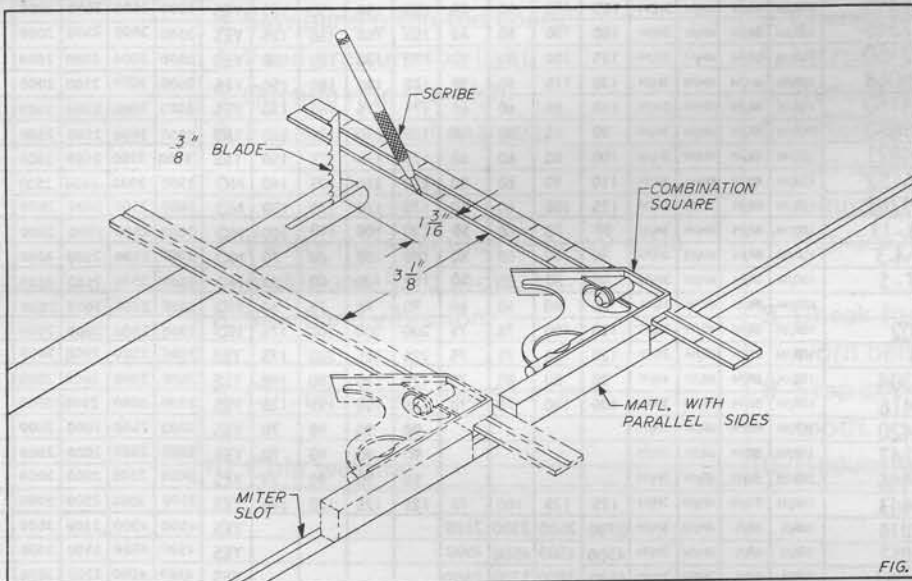
CIRCLE CUTTING ATTACHMENT (2028073)
(OPTIONAL)

INSTALLATION INSTRUCTIONS

Field installation of the circle cutting attachment will require a 13/64 drill, a 3/16 drill, a 1/4-20 NC-2 tap, a 1/4" hand drill, a combination square, a scribe, a punch, hammer and screw driver.

1. With a 3/8 blade on the band saw, centered on the upper and lower wheel, measure a distance 1-3/16" from the back of the blade and scribe a line. (Fig. 1)
2. Place a piece of material with parallel sides in the miter slot and using a combination square against it, scribe a line perpendicular to the slot and long enough to be 2-1/2" from the blade on the miter slot side and 1" past on the opposite side.
3. Measure from that line 3-1/8" and scribe a second line parallel to that in step No. 2.
4. Using the combination square, with the scale 1" past the blade, scribe a line parallel to the blade intersecting the two previously scribed lines. (Fig. 2)
5. Using the combination square, scribe an intersecting line with the parallel lines of step 2 and 3 at a distance of

6. 2-1/2" from the blade towards the miter slot.
6. Remove the blade. Tilt the table to 54 degrees right and prick punch the four line intersections.
7. Drill through (4) holes with a 13/64 drill.
8. Tap (4) holes 1/4-20 NC-2 x 1/2.
9. Relevel the table and install the left support (3776076) with two 1/4-20 x 5/8 pan head screws and 1/4 washers.
10. Install the circle attachment rail with two 1/4-20 x 1-1/2 pan head screws. Make sure the rail is perpendicular to the side of the blade and miter slot.
11. Transfer drill the two roll pin holes through the bottom of the rail 3/8" into the table with a 3/16 drill. Install the two 3/16 diameter x 1/2" roll pins.
12. Insert the slider (2730041) into the rail dovetail and position for the circle to be made. The slider is locked in position using a 5/32 allen wrench and the central nylon tipped set screw. Reinstall the blade.



MODEL 87 TRANSMISSION SHIFT LEVER ASSEMBLY

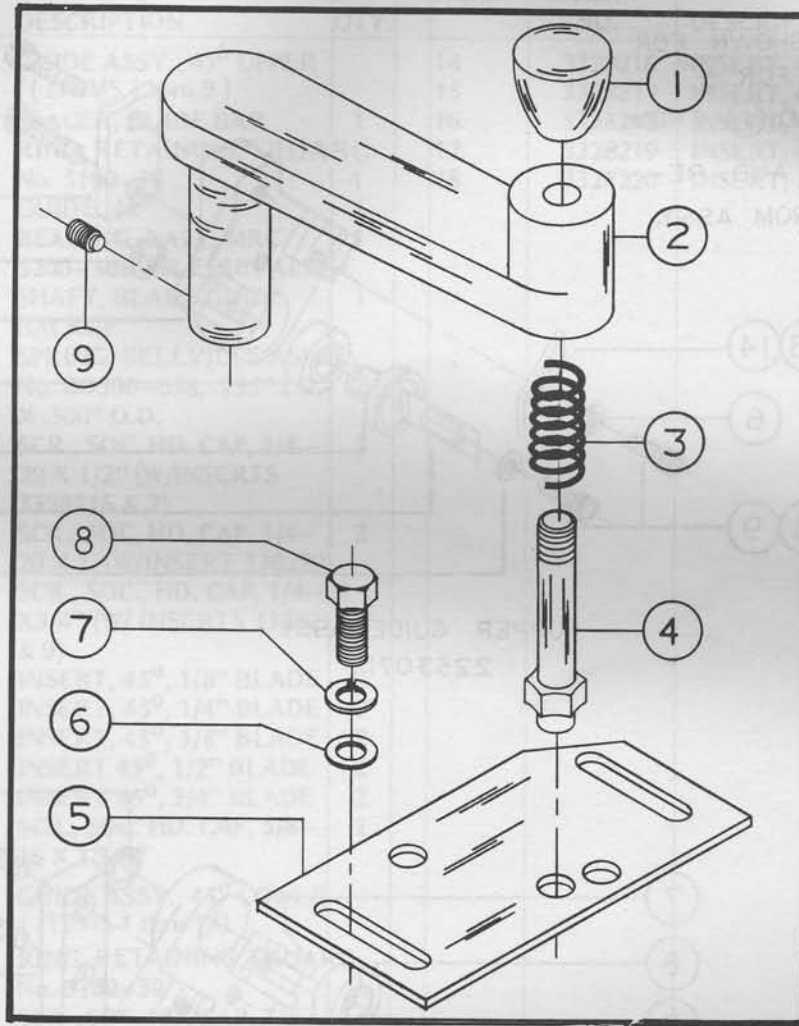


Fig. 7

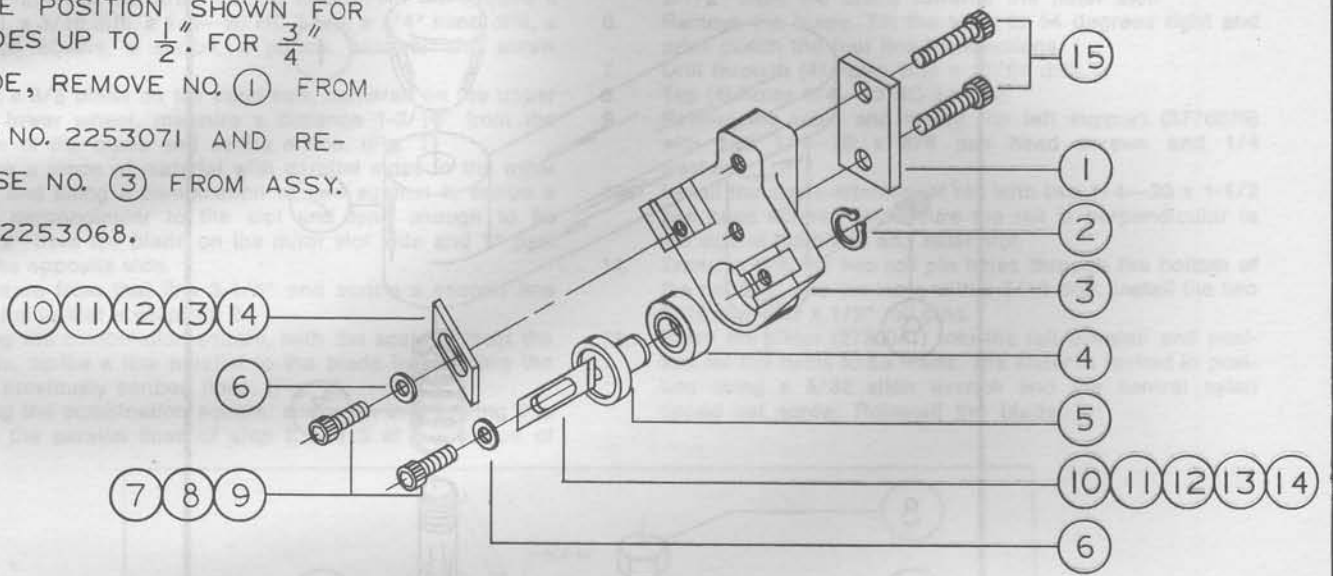
MODEL 87 TRANSMISSION SHIFT LEVER ASSEMBLY PARTS LIST

ITEM NO.	PART NO.	DESCRIPTION	QTY.
	2426014	LEVER, SHIFT ASSEMBLY (ITEMS 1 THRU 4)	
1	3406201	KNOB	1
2	3426052	LEVER, SHIFT	1
3	6813087	SPRING, COMPRESSION	1
4	3582093	PIN, SHIFT LOCKING	1
5	3595333	PLATE, SHIFT DETENT	1
6	6861101	WASHER, 1/4" FLAT	2
7	6861100	WASHER, 1/4" LOCK	2
8	6714127	SCR., HEX HD. CAP, 1/4-20 X 1/2"	2
9	6714004	SCR., SOC. HD. SET, 1/4-20 X 1/4"	2

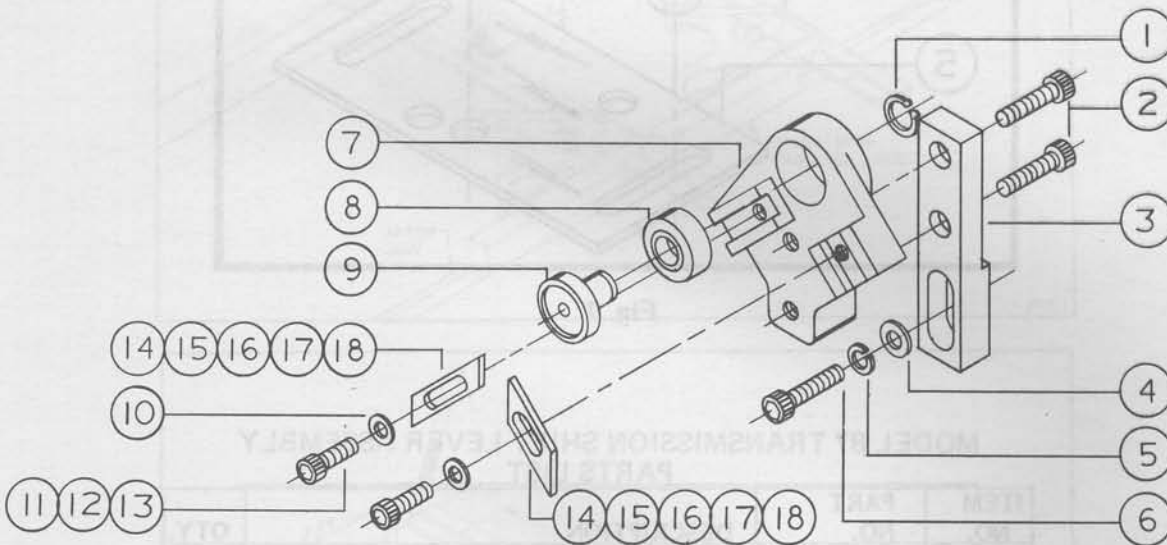
MODEL 87 UPPER & LOWER GUIDE ASSEMBLIES

NOTE:

GUIDE POSITION SHOWN FOR
BLADES UP TO $\frac{1}{2}$ ". FOR $\frac{3}{4}$ "
BLADE, REMOVE NO. ① FROM
ASSY. NO. 2253071 AND RE-
VERSE NO. ③ FROM ASSY.
NO. 2253068.



UPPER GUIDE ASSY.
2253071



LOWER GUIDE ASSY.
2253068

Fig. 8

MODEL 87 UPPER & LOWER GUIDE ASSEMBLY PARTS LIST
(STANDARD)

ITEM NO.	PART NO.	DESCRIPTION	QTY.	ITEM NO.	PART NO.	DESCRIPTION	QTY.
	2253071	GUIDE ASSY., 45° UPPER ((ITEMS 1 thru 9)		14	3328216	INSERT, 45°, 1/8" BLADE	2
1	3735049	SPACER, GUIDE BAR	1	15	3328217	INSERT, 45°, 1/4" BLADE	2
2	6670016	RING, RETAINING, TRUARC No. 5100-39	1	16	3328218	INSERT, 45°, 3/8" BLADE	2
3	3253040	GUIDE, 45°	1	17	3328219	INSERT, 45°, 1/2" BLADE	2
4	6061017	BEARING, BALL, MRC 5200-SBK OR EQUIVALENT	1	18	3328220	INSERT, 45°, 3/4" BLADE	2
5	3700045	SHAFT, BLADE GUIDE BACKUP	1				
6	6813095	SPRING, BELLVILLE ASSOC. No. BO500-038, .255" I.D. X .500" O.D.	2				
7	6714015	SCR., SOC. HD. CAP, 1/4- 20 X 1/2" (W/INSERTS 3328216 & 7)	2				
8	6714016	SCR., SOC. HD. CAP, 1/4- 20 X 1, (W/INSERT 338220)	2				
9	6714018	SCR., SOC., HD. CAP, 1/4-20 X 3/4" (W/ INSERTS 3328218 & 9)	2				
10	3328216	INSERT, 45°, 1/8" BLADE	2				
11	3328217	INSERT, 45°, 1/4" BLADE	2				
12	3328218	INSERT, 45°, 3/8" BLADE	2				
13	3328219	INSERT 45°, 1/2" BLADE	2				
14	3328220	INSERT 45°, 3/4" BLADE	2				
15	6716013	SCR., SOC. HD. CAP, 3/8- 16 X 1-3/4"	2				
	2253068	GUIDE ASSY., 45° LOWER (ITEMS 1 thru 13)					
1	6670016	RING, RETAINING, TRUARC No. 5100-39	1				
2	6716016	SCR., SOC. HD. CAP, 3/8- 16 X 7/8"	2				
3	3044203	BAR, LOWER GUIDE MOUNTING	1				
4	6861301	WASHER, 3/8" FLAT	1				
5	6861300	WASHER, 3/8" LOCK	1				
6	6716013	SCR., SOC. HD. CAP, 3/8- 16 X 1-3/4"	1				
7	3253040	GUIDE, 45°	1				
8	6061017	BEARING, BALL, MCR No. 5200-SBZZ, oe EQUIV.	1				
9	3700045	SHAFT, BLADE GUIDE BACKUP	1				
10	6813095	SPRING, BELLVILLE ASSOC. No. BO500-038, .225" I.D. X .500" O.D.	2				
11	6714015	SCR., SOC. HD. CAP, 1/4-20 1/2" (W/INSERTS 3328216 & 7)	2				
12	6714016	SCR., SOC. HD. CAP, 1/4- 20 X 1" (W/INSERT 3328220)	2				
13	6714018	SCR., SOC. HD. CAP, 1/4- 20 X 3/4" (W/INSERTS 3328218 & 9)	2				

MODEL 87 RIP FENCE ASSEMBLY

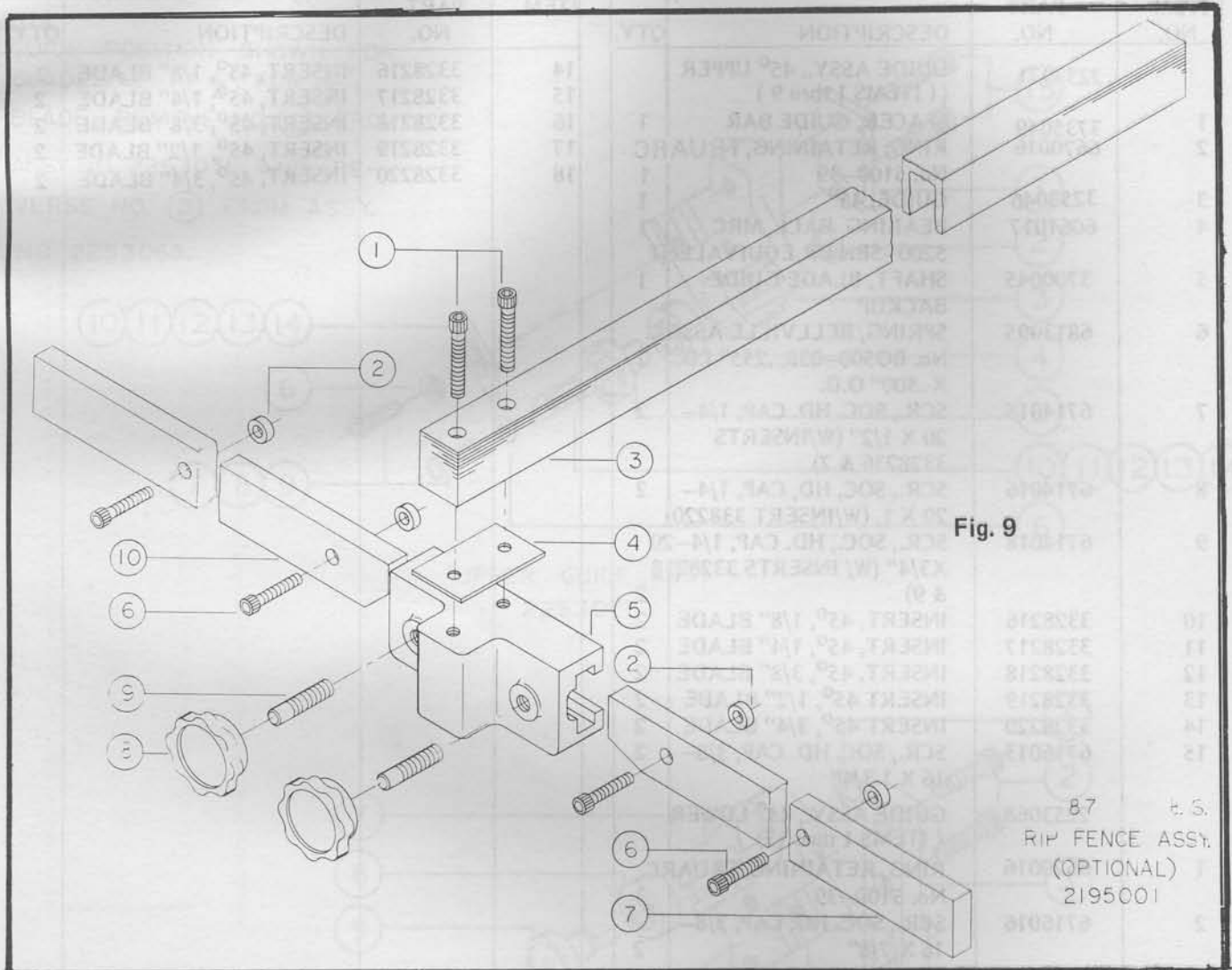


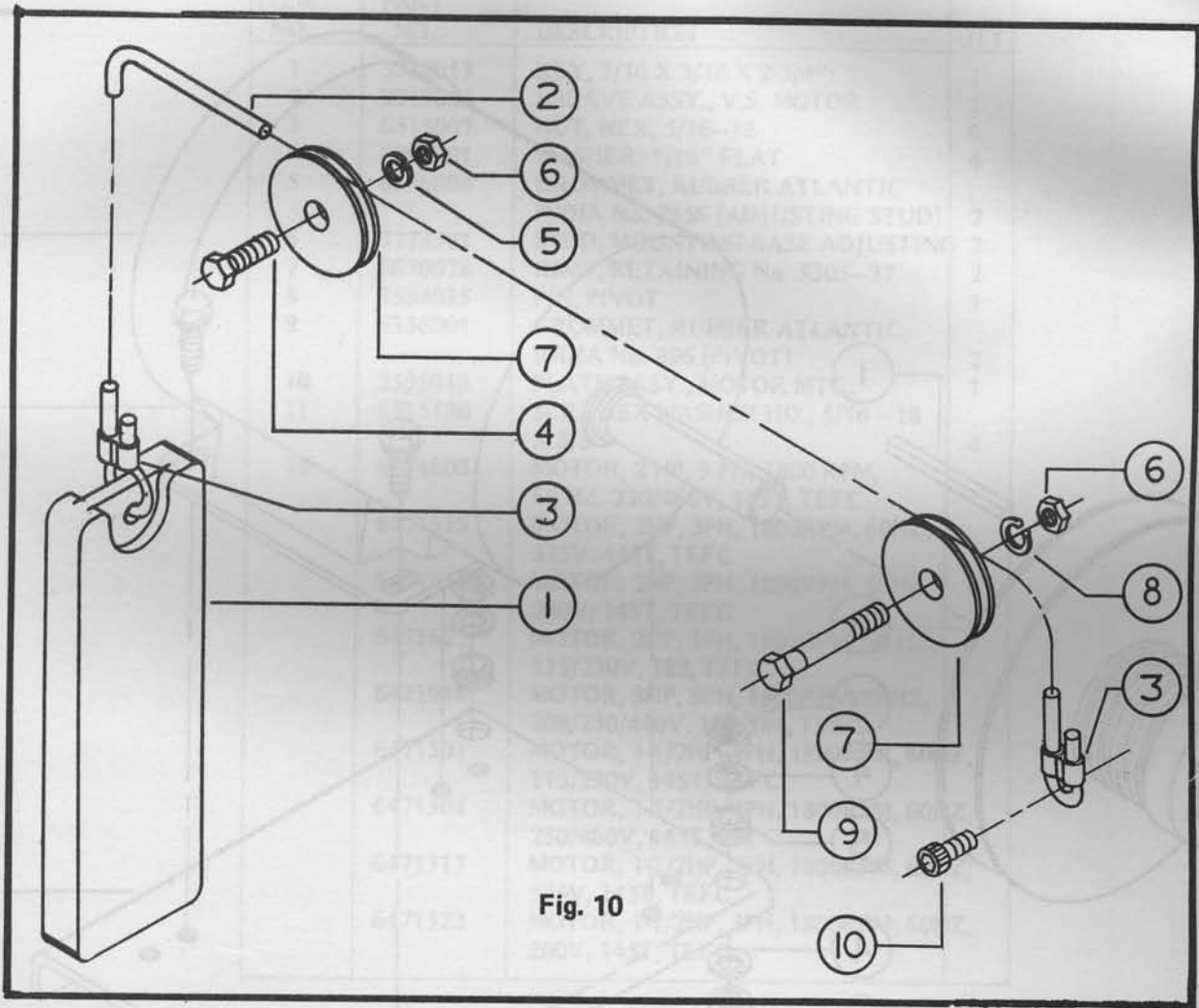
Fig. 9

8.7 t. 5.
RIP FENCE ASSY.
(OPTIONAL)
2195001

MODEL 87 RIP FENCE ASSEMBLY PARTS LIST

ITEM NO.	PART NO.	DESCRIPTION	QTY.
1	6716014	SCR., SOC. HD. CAP, 3/8-16 X 2-1/2"	2
2	3735001	SPACER, FENCE BAR	4
3	3195002	FENCE, RIP	1
4	3722004	SHIM, RIP FENCE	1
5	3063046	BRACKET, RIP FENCE MOUNTING	1
6	6715020	SCR., SOC. HD. CAP, 5/16-18 X 1"	4
7	3044041	BAR, RIGHT HAND FENCE	1
8	3406017	KNOB	2
9	3695032	SCREW, LOCK	1
10	3044040	BAR, LEFT HAND FENCE	1

MODEL 87 COUNTERWEIGHT ASSEMBLY



MODEL 87 COUNTERWEIGHT ASSEMBLY PARTS LIST

ITEM NO.	PART NO.	DESCRIPTION	QTY.
	2103001	COUNTERWEIGHT ASSEMBLY (ITEMS 1 THRU 3)	
1	3044042	BAR, BALANCE WIEGHT	1
2	6102001	CABLE, AIRCRAFT, 1/16" DIA.	6'
3	6284104	FITTING, CABLE, OVAL SLEEVE	2
4	6718009	SCR., HEX HD. CAP, 1/2-13 X 1-1/4"	1
5	6861500	WASHER, 1/2" LOCK	1
6	6518008	NUT, HEX JAM, 1/2-13	2
7	3673031	ROLLER, GUIDE BAR WEIGHT	2
8	6670018	RING' RETAINING	1
9	3691035	SCR., GUIDE BAR ROLLER	1
10	6714015	SCR., SOC. HD. CAP, 1/4-20 X 1/2"	1

MODEL 87 MOTOR MOUNTING ASSEMBLY

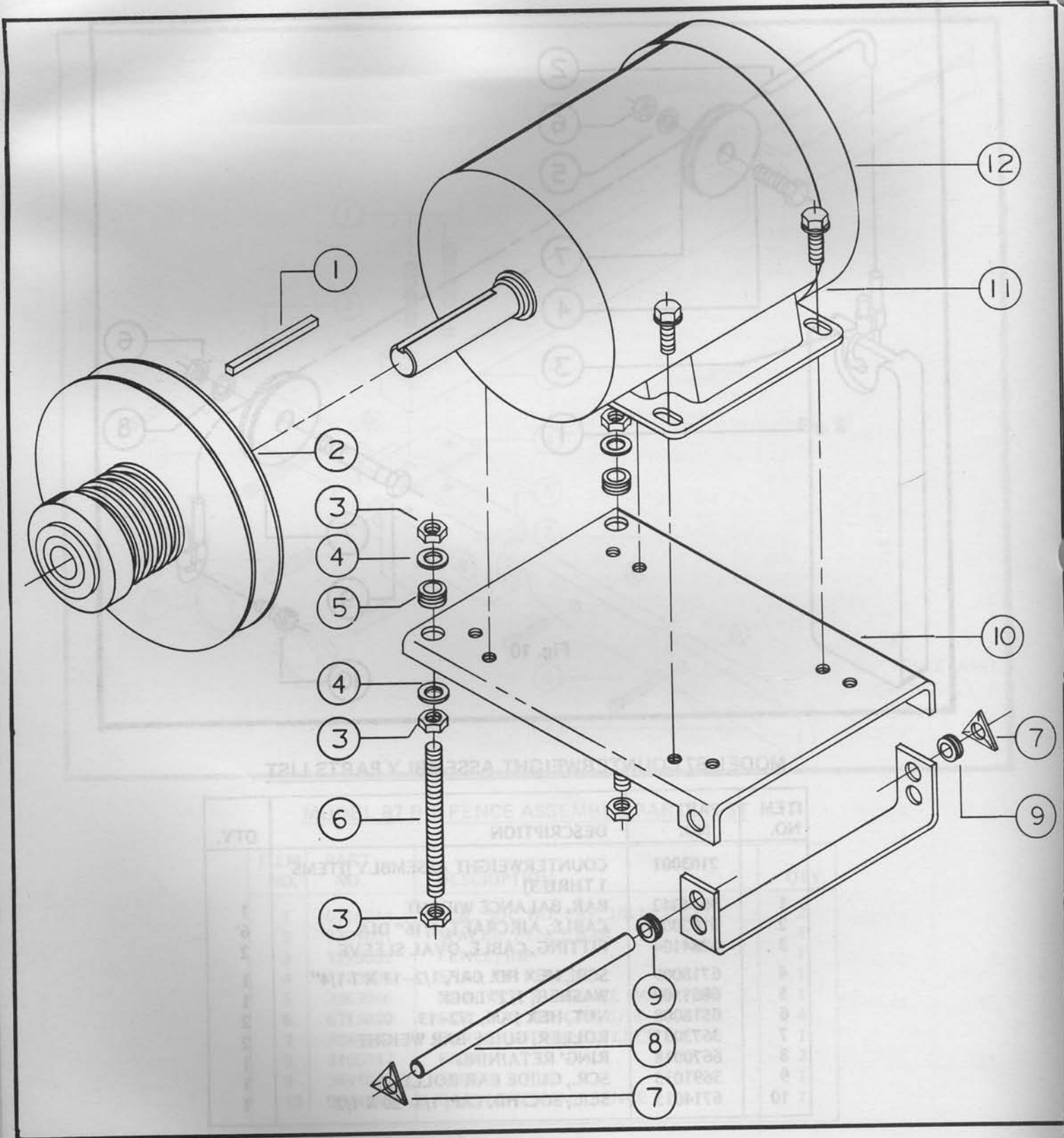


Fig. 11

MODEL 87 MOTOR MOUNTING ASSEMBLY PARTS LIST

ITEM NO.	PART NO.	DESCRIPTION	QTY.
1	3388013	KEY, 3/16 X 3/16 X 2-3/4"	1
2	2719083	SHEAVE ASSY., V.S. MOTOR	1
3	6515007	NUT, HEX, 5/16-18	6
4	6861201	WASHER, 5/16" FLAT	4
5	6336008	GROMMET, RUBBER ATLANTIC INDIA No. 2856 (ADJUSTING STUD)	2
6	3773301	STUD, MOUNTING BASE ADJUSTING	2
7	6670078	RING, RETAINING No. 5305-37	2
8	3584035	PIN, PIVOT	1
9	6336001	GROMMET, RUBBER ATLANTIC INDIA No. 896 (PIVOT)	2
10	2595016	PLATE ASSY., MOTOR MTG.	1
11	6715180	SCR., HEX WASHER HD., 5/16 -18 X 5/8"	4
12	6471603	MOTOR, 2 HP, 3 PH, 1800 RPM, 60 HZ, 230/460V, 145T, TEFC	
	6471616	MOTOR, 2HP, 3PH, 1800RPM, 60HZ, 575V. 145T, TEFC	
	6471617	MOTOR, 2HP, 3PH, 1800RPM, 60HZ, 200V, 145T, TEFC	
	6471627	MOTOR, 2HP, 1PH, 1800RPM, 60 HZ, 115/230V, 182, TEFC	
	6471916	MOTOR, 3HP, 3PH, 1800RPM, 60HZ, 208/230/440V, 182/184, TEFC	
	6471301	MOTOR, 1-1/2HP, 1PH, 1800RPM, 60HZ, 115/230V, 145T, TEFC	
	6471304	MOTOR, 1-1/2HP, 3PH, 1800RPM, 60HZ, 230/460V, 145T, TEFC	
	6471317	MOTOR, 1-1/2HP, 3PH, 1800RPM, 60HZ, 575V, 145T, TEFC	
	6471322	MOTOR, 1-1/2HP, 3PH, 1800RPM, 60HZ, 200V, 145T, TEFC	

MODEL 87 COUNTERSHAFT ASSEMBLY

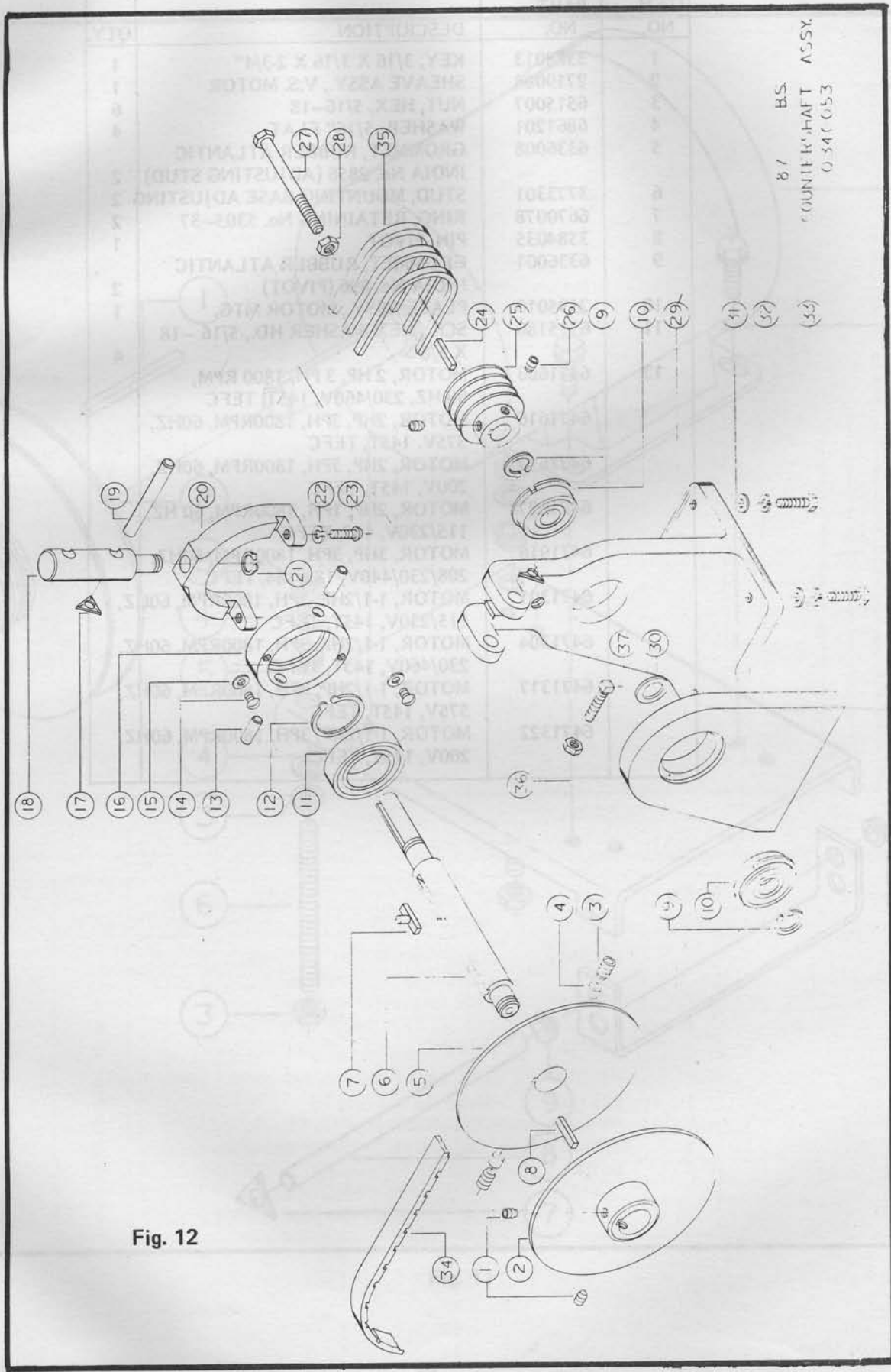


Fig. 12

MODEL 87 COUNTERSHAFT ASSEMBLY

MODEL 87 COUNTERSHAFT ASSEMBLY

ITEM NO.	PART NO.	DESCRIPTION	QTY.
	2705020	COUNTERSHAFT ASSY. (ITEMS 1 THRU 30)	
	2718004	SHEAVE ASSEMBLY CTRSFT., (ITEMS 1 THRU 8)	
1	6714008	SCR., SOC. SET, KNURLED CUP PT., 1/4-20 x 5/16"	2
2	3719181	SHEAVE, V.S., FIXED	1
3	6720037	SCR., SOC. SET, KNURLED CUP PT., 5/8"-11 x 3/4"	2
4	3598047	PLUG, BRASS	2
5	2719070	SHEAVE ASSY., V.S. SLIDING	1
6	3705019	SHAFT, COUNTER	1
7	3388069	KEY, TIT	1
8	3388068	KEY, C.F. STEEL, 3/16" x 1/4" x 1-3/16"	1
9	6670014	RING, RETAINING, TRUARC No. 5100-98	2
10	6060053	BEARING, BALL, MTC No. 205SZZG	2
11	6060098	BEARING, BALL, MRC No. 111KSZZ, TYPE KS	1
12	6070125	RING, RETAINING, TRUARC No. 5100-215	1
13	6623013	PIN, DOWEL, 5/16" x 1"	2
14	6710032	SCR., ROUND HD., MACHINE, No. 10-24 x 1/4"	2
15	6860800	WASHER, No. 10, FLAT	2
16	3096098	COLLAR, BEARING	1
17	6670078	RING, RETAINING, No. 5305-37	2
18	3044308	BAR, SPEED ADJUST.	1
19	3582091	PIN, PIVOT	1
20	3936012	YOKE, SPEED ADJUST.	1
21	6670008	RING, RETAINING	1
22	6860802	WASHER, No. 10 LOCK	2
23	6710125	SCR., ROUND HD., No. 10-24 X 1-1/8"	2
24	3388009	KEY, 3/16" SQ., x 1-3/4"	1
25	3717062	SHEAVE, COUNTERSHAFT	1
26	6714003	SCR., SOC., SET, CUP PT., 1/4-20 x 3/8"	2
27	6718089	SCR., HEX HD. CAP, 1/2-13 x 7" ADJUSTING	1
28	6518001	NUT, HEX, 1/2-13	1
29	3063415	BRACKET, COUNTERSHAFT	1
30	3735082	SPACER	1
31	6861301	WASHER, 3/8" FLAT	4
32	6861300	WASHER, 3/8" LOCK	4

ITEM NO.	PART NO.	DESCRIPTION	QTY.
33	6716031	SCR., HEX HD., 3/8-16 x 1	4
34	6077143	BELT, V.S. 1922V426	1
35	6077141	BELT, "V" 7M1180 (MATCHED SET OF 3)	1
36	6515007	NUT, HEX JAM, 5/16-18	1
37	6715092	SCR., SQ. HD. SET, 5/16-18 x 1-3/4"	1

MODEL 87 UPPER WHEEL HOUSING ASSEMBLY

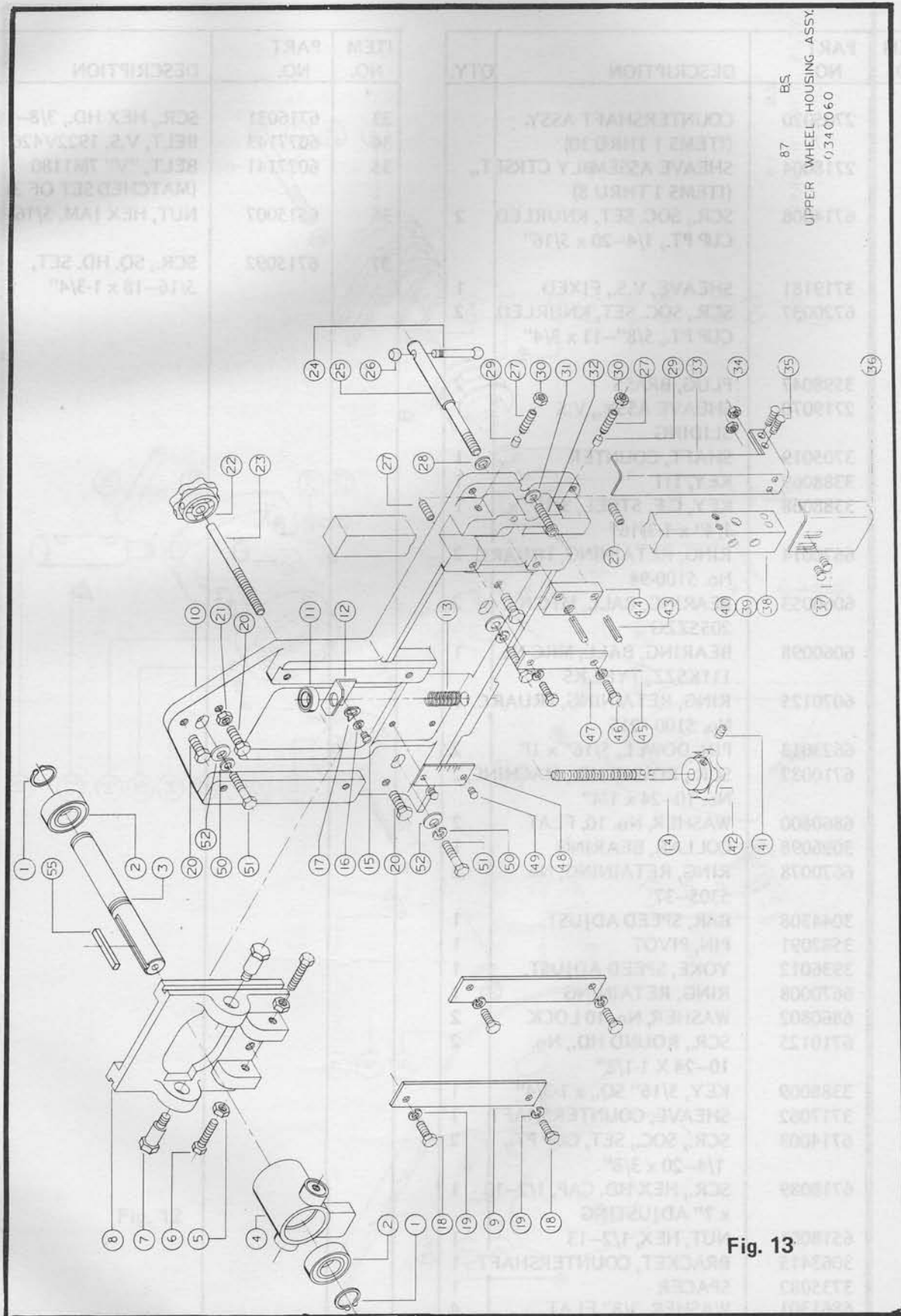
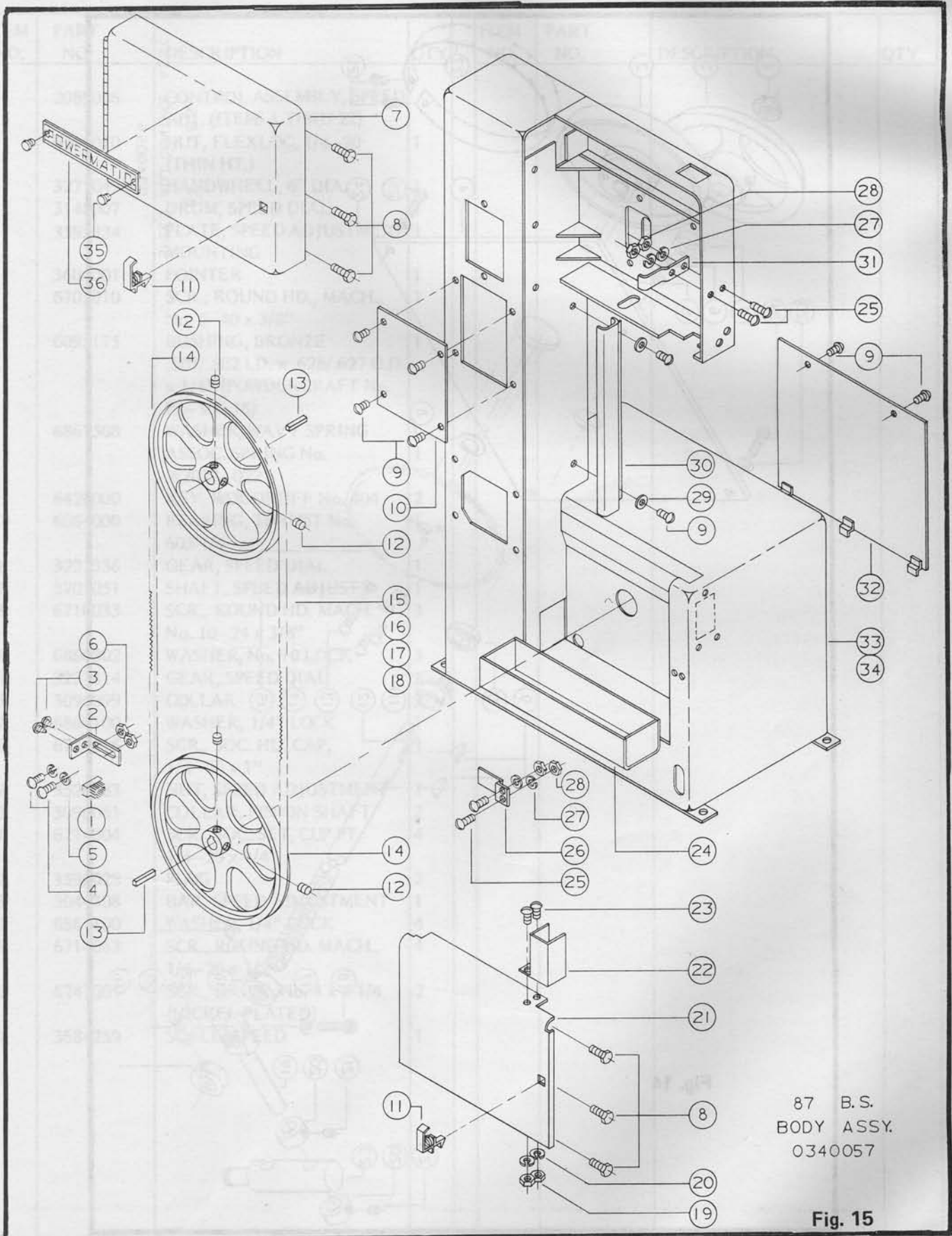


Fig. 13

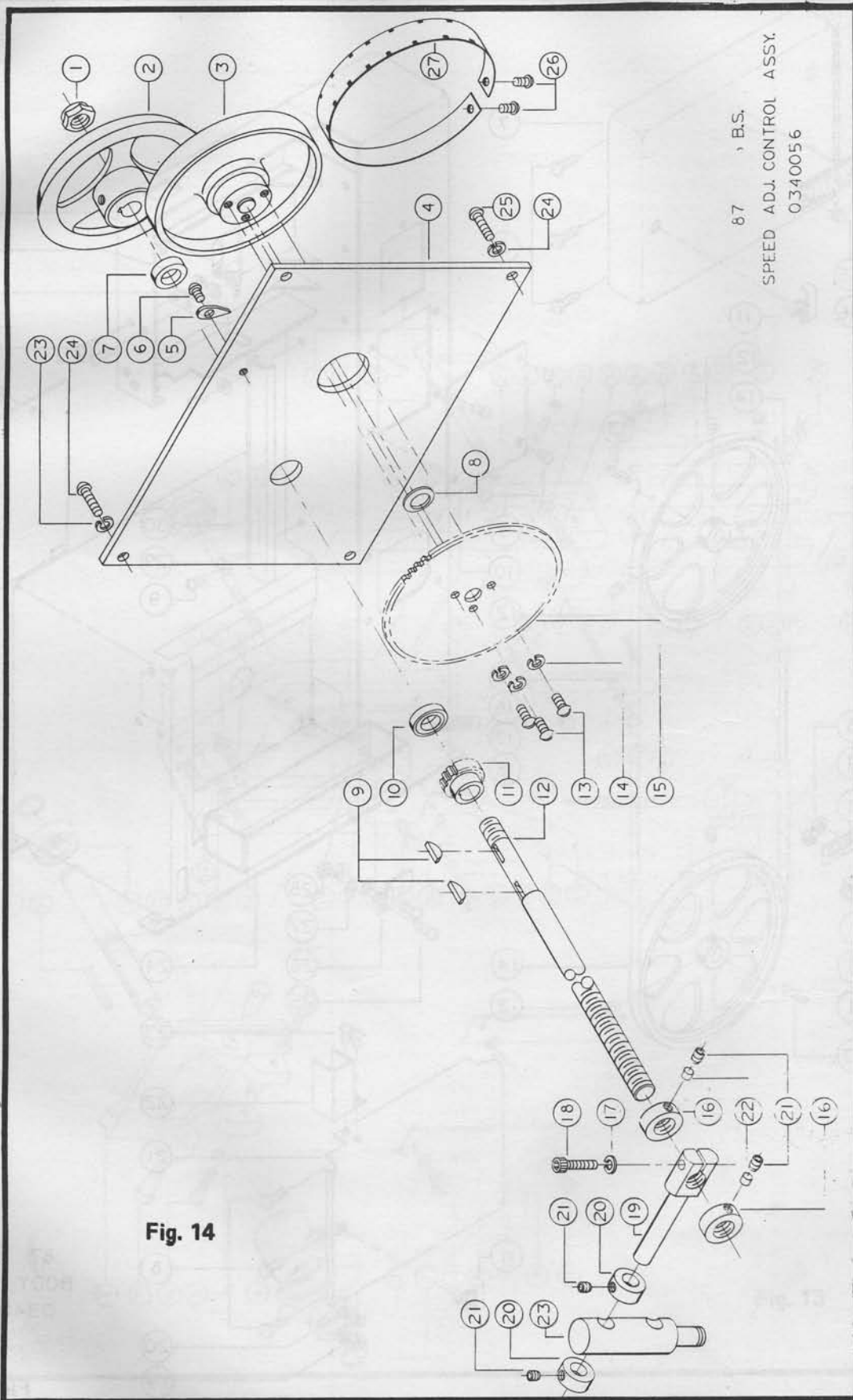
MODEL 87 BODY ASSEMBLY



87 B.S.
BODY ASSY.
0340057

Fig. 15

MODEL 87 SPEED ADJUSTING CONTROL ASSEMBLY



87, B.S.
SPEED ADJ. CONTROL ASSY.
0340056

MODEL 87 SPEED ADJUSTING CONTROL ASSEMBLY

MODEL 87 SPEED ADJUSTING CONTROL ASSEMBLY

ITEM NO.	PART NO.	DESCRIPTION	QTY
	2089006	CONTROL ASSEMBLY, SPEED ADJ. (ITEMS 1 THRU 22)	
1	6568010	NUT, FLEXLOC, 1/4-20 (THIN HT.)	1
2	3271049	HANDWHEEL, 6" DIA.	1
3	3148007	DRUM, SPEED DIAL	1
4	3595334	PLATE, SPEED ADJUSTMENT MOUNTING	1
5	3604001	POINTER	1
6	6705010	SCR., ROUND HD., MACH., No. 5-40 x 3/8"	1
7	6095175	BUSHING, BRONZE .503/.502 I.D. x .628/.627 O.D. x 1/4" (POWDERCRAFT No. PS-500-16)	1
8	6861508	WASHER, WAVY SPRING ASSOC. SPRING No. W2028-022	1
9	6420000	KEY, WOODRUFF No. 404	2
10	6064000	BEARING, THRUST No. 603-1/4	1
11	3237336	GEAR, SPEED DIAL	1
12	3701051	SHAFT, SPEED ADJUST.	1
13	6710033	SCR., ROUND HD. MACH. No. 10-24 x 3/8"	3
14	6860802	WASHER, No. 10 LOCK	3
15	3237314	GEAR, SPEED DIAL	1
16	3096099	COLLAR	2
17	6861100	WASHER, 1/4" LOCK	1
18	6714016	SCR., SOC. HD. CAP, 1/4-20 x 1"	1
19	3526083	NUT, SPEED ADJUSTMENT	1
20	3096061	COLLAR, PINION SHAFT	2
21	6714004	SCR., SOC. SET, CUP PT. 1/4-20 x 1/4"	4
22	3598028	PLUG	2
23	3044308	BAR, SPEED ADJUSTMENT	1
24	6861100	WASHER, 1/4" LOCK	4
25	6714063	SCR., ROUND HD. MACH., 1/4-20 x 1/2"	4
26	6747001	SCR., DRIVE, No. 4 x 4-1/4 (NICKEL PLATED)	2
27	3684259	SCALE, SPEED	1

ITEM NO.	PART NO.	DESCRIPTION	QTY
	2089006	CONTROL ASSEMBLY, SPEED ADJ. (ITEMS 1 THRU 22)	
1	6568010	NUT, FLEXLOC, 1/4-20 (THIN HT.)	1
2	3271049	HANDWHEEL, 6" DIA.	1
3	3148007	DRUM, SPEED DIAL	1
4	3595334	PLATE, SPEED ADJUSTMENT MOUNTING	1
5	3604001	POINTER	1
6	6705010	SCR., ROUND HD., MACH., No. 5-40 x 3/8"	1
7	6095175	BUSHING, BRONZE .503/.502 I.D. x .628/.627 O.D. x 1/4" (POWDERCRAFT No. PS-500-16)	1
8	6861508	WASHER, WAVY SPRING ASSOC. SPRING No. W2028-022	1
9	6420000	KEY, WOODRUFF No. 404	2
10	6064000	BEARING, THRUST No. 603-1/4	1
11	3237336	GEAR, SPEED DIAL	1
12	3701051	SHAFT, SPEED ADJUST.	1
13	6710033	SCR., ROUND HD. MACH. No. 10-24 x 3/8"	3
14	6860802	WASHER, No. 10 LOCK	3
15	3237314	GEAR, SPEED DIAL	1
16	3096099	COLLAR	2
17	6861100	WASHER, 1/4" LOCK	1
18	6714016	SCR., SOC. HD. CAP, 1/4-20 x 1"	1
19	3526083	NUT, SPEED ADJUSTMENT	1
20	3096061	COLLAR, PINION SHAFT	2
21	6714004	SCR., SOC. SET, CUP PT. 1/4-20 x 1/4"	4
22	3598028	PLUG	2
23	3044308	BAR, SPEED ADJUSTMENT	1
24	6861100	WASHER, 1/4" LOCK	4
25	6714063	SCR., ROUND HD. MACH., 1/4-20 x 1/2"	4
26	6747001	SCR., DRIVE, No. 4 x 4-1/4 (NICKEL PLATED)	2
27	3684259	SCALE, SPEED	1

MODEL 87 UPPER WHEEL HOUSING ASSEMBLY

MODEL 87 UPPER WHEEL HOUSING ASSEMBLY

ITEM NO.	PART NO.	DESCRIPTION	QTY	ITEM NO.	PART NO.	DESCRIPTION	QTY
	2730021	SLIDE ASSEMBLY (ITEMS 1 THRU 21)		29	3598022	PLUG, PROTECTOR, 5/16" Dia. x 3/16" Lg.	2
	2298029	HOUSING ASSY., UPPER SHAFT BRG. (ITEMS 1 THRU 4)		30	6516009	NUT, HEX, 3/8-16	2
1	6670096	RING, RETAINING, TRUAC No. 5160-118	2	31	6861301	WASHER, 3/8" FLAT	1
2	6060014	BEARING, BALL, SKF No. 6206-2Rs	2	32	6716015	SCR., SOC. HD. CAP, 3/8-16 x 1-1/2"	1
3	3700014	SHAFT, UPPER WHEEL	1	33	2250059	GUARD ASSEMBLY, BLADE (WELDMENT)	1
4	3298034	HOUSING, UPPER SHAFT BEARING	1	34	6510005	NUT, HEX, No. 10-24	2
5	6516009	NUT, HEX JAM, 3/8-16	2	35	6714114	SCR., RD., HD., MACH., 1/4-20 x 3/8"	2
6	6716032	SCR., HEX HD., 3/8-16 x 1-1/2"	2	36	3720015	SHIELD, BLADE GUARD	1
7	3058011	BOLT, UPPER WHEEL PIVOT	2	37	6710034	SCR., RD. HD., No. 10-24 x 1/2"	2
8	3063041	BRACKET, UPPER BEARING HOUSING MOUNTING	1				
9	3244035	GIB, UPPER BEARING HOUSING SLEEVE	2	40	3044102	BAR, GUIDE (87 B.S.)	1
10	3064289	BRACKET, UPPER WHEEL HOUSING	1	41	6715013	SCR., SOC. SET, CUP PT, 5/16-18 x 3/8"	1
11	6064000	BEARING, THRUST, NICE No. 603-1/4	1	42	3271008	HANDWHEEL, 3-1/2"	1
12	3094011	CLIP, SPRING	1	43	6626029	PIN, SPRING, 3/16" DIA. x 1" LG.	2
13	6813061	SPRING, BAUMBACH No. S-62	1	44	3448030	LOCK, GUIDE BAR	1
14	3690029	SCREW, TENSION ADJ.	1	45	6861100	WASHER, 1/4" LOCK	2
15	6706037	SCR., ROUND HD., 6-32 x 3/16"	1	46	6714049	SCR., HEX HD. CAP, 1/4-20 x 3/4"	2
16	6860600	WASHER, FLAT No. 6	1	47	3481041	PLATE, GUIDE BAR MOUNTING	1
17	3604004	POINTER	1	48	3684210	SCALE, TENSION	1
18	6716030	SCR., HEX HD., 3/8-16 x 3/4"	4	49	6747000	SCR., DRIVE, No. 4 x 3/16"	2
19	6861300	WASHER, 3/8" LOCK	4	50	6861300	WASHER, 3/8" LOCK	3
20	6718010	SCR., HEX HD., CAP 1/2-13 x 1-1/2"	4	51	6716124	SCR., HEX HD. CAP, 3/8-16 x 2-1/4"	3
21	6518008	NUT, HEX, 1/2-13	1	52	3838203	WASHER, BEVEL	3
	2690001	SCREW ASSEMBLY, TILT ADJUST. (ITEMS 22 THRU 23)		53	6715092	SCR., SQ. HD. SET, 5/16-18 x 1-3/4" (HORIZ. ADJ. NOT SHOWN)	2
22	3406018	KNOB		54	6515007	NUT, HEX JAM, 5/16-18 (HORIZ. ADJ. NOT SHOWN)	2
23	3690028	SCREW, TILT ADJ.	1	55	3388020	KEY, 1/4 x 1/4 x 2"	1
	2695028	SCREW ASSEMBLY, GUIDE BAR LOCK (ITEMS 24 THRU 26)					
24	3268002	HANDLE	1				
25	3692036	SCREW, GUIDE BAR LOCK	1				
26	3406016	KNOB, HANDLE	1				
27	6716093	SCR., SOC. SET, HALF DOG Pt., 3/8-16 x 1" Nyllok	4				
28	6861201	WASHER, 5/16" FLAT	1				

MODEL 87 BODY ASSEMBLY

MODEL 87 BODY ASSEMBLY

ITEM NO.	PART NO.	DESCRIPTION	QTY
	2072001	BRUSH ASSY., LOWER WHEEL (ITEMS 1 THRU 3)	
1	3072002	BRUSH, WHEEL CLEANING	1
2	3064005	BRACKET, MOUNTING	1
3	6748002	SCR., RD. HD. WOOD No. 6 x 1/2", BLUED	2
4	6086014	BOLT, CARRIAGE, 1/4-20 x 3/4"	2
5	6861100	WASHER, 1/4" LOCK	2
6	6514001	NUT, HEX, 1/4-20	2
7	2136028	DOOR ASSY., UPPER (WELDMENT)	1
8	6715007	SCR., HEX WASHER HD. TAPTITE, 5/16-18 x 1/2"	6
9	6714114	SCR., RD. HD. MACH., 1/4-20 x 3/8"	8
10	3104035	COVER, WELDER CUTOUT	1
11	6440005	LATCH, DOOR (UPPER & LOWER)	2
12	6716003	SCR., SOC., SET, CUP PT., 3/8-16 x 3/8"	4
13	3388020	KEY, 1/4 x 1/4 x 2"	2
14	2850003	WHEEL ASSY., UPPER & LOWER	2
15	6080021	BLADE, METAL CUTTING 3/8 x 151 x 14P (STD.)	1
16	6080020	BLADE, METAL CUTTING 1/4 x 151 x 14P (OPT.)	1
17	6080022	BLADE, METAL CUTTING 1/2 x 151 x 14P (OPT.)	1
18	6080103	BLADE, METAL CUTTING 3/4 x 151 x W/6P (OPT.)	1
19	6506001	NUT, HEX, No. 6-32	2
20	6860602	WASHER, No. 6 LOCK	2
21	2136029	DOOR ASSY., LOWER (WELDMENT)	1
22	3250287	GUARD, LOWER DOOR	1
23	6706038	SCR., RD.HD.MACH., No. 6-32 x 1/2"	2
24	2577001	DUST PAN ASSY (WELDMENT)	1
25	6710034	SCR., RD. HD. MACH. No. 10-24 x 1/2"	4
26	3420008	LATCH BLOCK, LOWER	1
27	6860802	WASHER, No. 10 LOCK	4
28	6510001	NUT, HEX, No. 10-24	4
29	6861101	WASHER, 1/4" FLAT	2
30	3250222	GUARD, BLADE COLUMN	1
31	3420009	LATCH BLOCK, UPPER	1
32	2136033	DOOR ASSY., MOTOR DR.)	1
33	2056020	BODY ASSY., 20"	1
		STD. MACHINE	

ITEM NO.	PART NO.	DESCRIPTION	QTY
34	2056025	BODY ASSY., BAND SAW 24" UNDER GUIDES	1
	2388056	KIT, PLATE, I.D., SPEED DECAL, ETC., (ITEMS 35 THRU 45)	
35	6680020	RIVET, ALUM., 5/32 x 1/4"	2
36	3312254	PLATE, I.D. POWERMATIC	1
37	3312228	PLATE, I.D. SERIAL NO. (NOT SHOWN)	1
38	6747001	SCR., DRIVE, No. 4 x 1/4" (NICKEL PLATED)(NOT SHOWN)	10
39	3330254	PLATE, INSTRUCTION SAW OPERATING	1
40	3330276	PLATE, INSTRUCTION BLADE LENGTH (NOT SHOWN)	1
41	3085203	CHART, BLADE SPEED & FEED SELECTION (NOT SHOWN)	1
42	3330233	PLATE, INSTRUCTION, CHANGE OF SPEEDS (NOT SHOWN)	1
43	3330283	PLATE, SAFETY (NOT SHOWN)	1
44	3684259	SCALE, SPEED (NOT SHOWN)	1
45	3330300	PLATE, SHIFT INSTRUCTION (NOT SHOWN)	1

MODEL 87 TABLE AND TRUNNION ASSEMBLY

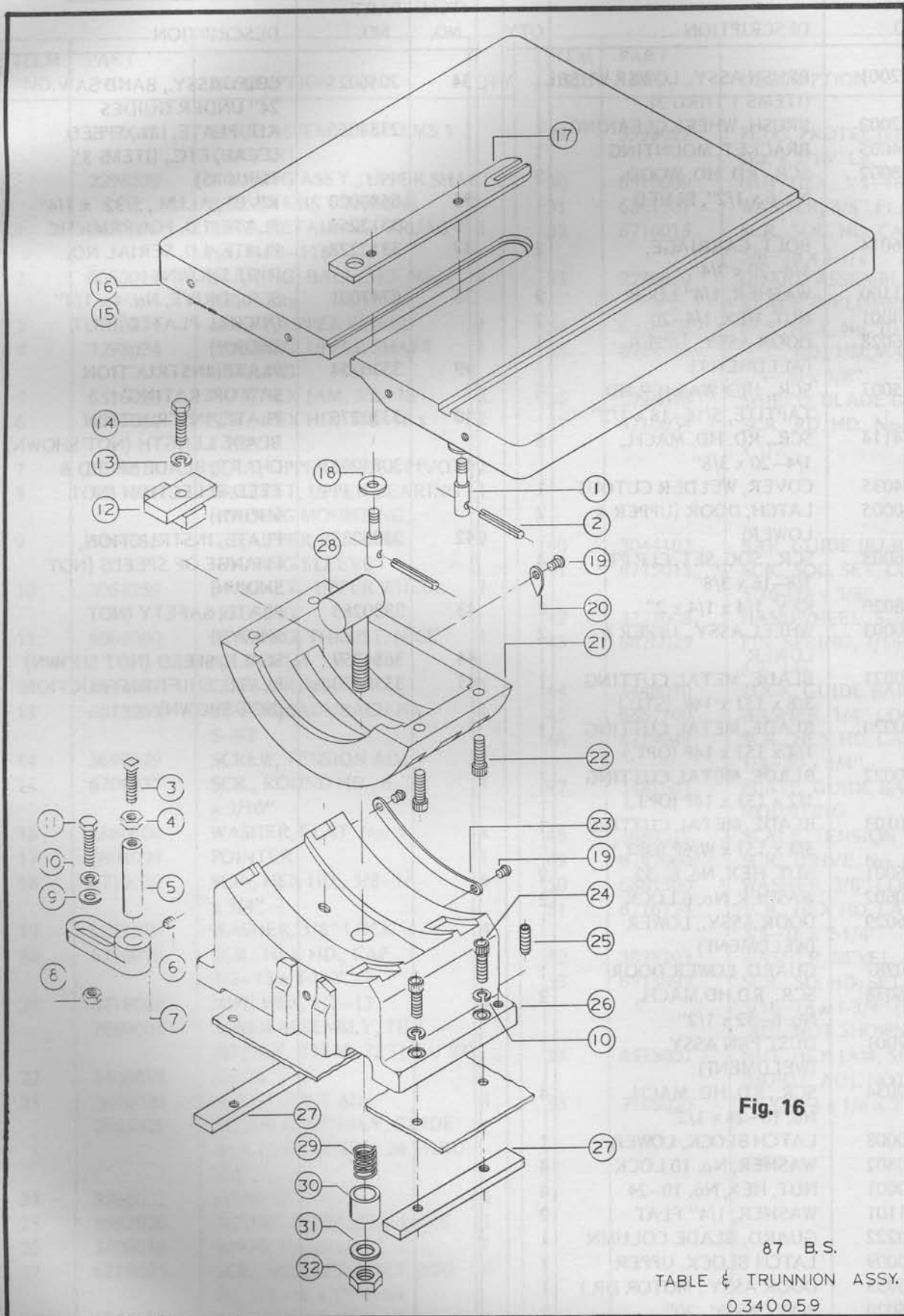


Fig. 16

87 B.S.
TABLE & TRUNNION ASSY.
0340059

MODEL 87 TABLE AND TRUNNION ASSEMBLY

MODEL 87 TABLE AND TRUNNION ASSEMBLY

ITEM NO.	PART NO.	DESCRIPTION	QTY
	2695033	SCREW ASSEMBLY, INSERT LOCK (ITEMS 1 & 2)	
1	3695205	SCREW, TABLE INSERT	1
2	6626033	PIN, SPRING, 3/16" DIA. x 2" Lg	1
	2761001	STOP ASSEMBLY, TABLE BRACKET (ITEMS 3 THRU 7)	
3	6716083	SCR., SQ., HD. SET, 3/8-16 x 1-3/4"	1
4	6516009	NUT, HEX JAM, 3/8-16	1
5	3583013	PIN, LOCATING, TABLE STOP BRACKET	1
6	6715016	SCR., SOC. SET, CUP PT., 5/16-18 x 5/16"	1
7	3274011	HANGER, COMPOUND SHEAVE	1
8	6516001	NUT, HEX, 3/8-16	1
9	6861301	WASHER, 3/8" FLAT	1
10	6861300	WASHER, 3/8" LOCK	5
11	6716039	SCR., HEX HD. CAP 3/8-16 x 1-1/4"	1
12	2253025	GUIDE ASSY. TRUNNION	1
13	6861200	WASHER, 5/16" LOCK	1
14	6715044	SCR., HEX HD. CAP 5/16-18 x 2"	1
15	3797072	TABLE, BAND SAW (W.O. T-SLOT)	1
16	379073	TABLE, BAND SAW W. T-SLOT	1
17	3328040	INSERT, TABLE	1
18	3837035	WASHER, 3/8" I.D. x 1-3/8" O.D. x 3/16" THICK	2
19	6747000	SCR., DRIVE No. 4 x 3/16"	3
20	3604001	POINTER	1
21	3810003	TRUNNION, TABLE TILTING	1
22	6716016	SCR., SOC. HD. CAP 3/8-16 x 7/8"	4
23	3684212	SCALE, TRUNNION TILT	1
24	6716017	SCR., SOC. HD. CAP 3/8-16 x 1-3/4"	4
25	6716100	SCR., SOC. SET, HALF DOG PT., 3/8-16 x 3/4"	2
26	3064070	Bracket, TRUNNION, TABLE TILTING	1
27	3044322	BAR, TRUNNION BRACKET MOUNTING	2
28	2440010	LOCK ASSY., TRUNNION	1
29	6813044	SPRING, COMPRESSION No. 12101	1

ITEM NO.	PART NO.	DESCRIPTION	QTY
30	3735054	SPACER, LOCKING	1
31	6861701	WASHER, 5/8" FLAT	1
32	6520011	NUT, HEX, 5/8-11 (Heavy)	1
33	3722019	SHIM, LAMINATED TRUNNION (NOT SHOWN)	AS REQ.
34	3722020	SHIM, TRUNNION (NOT SHOWN)	AS REQ.

MODEL 87 TRANSMISSION ASSEMBLY

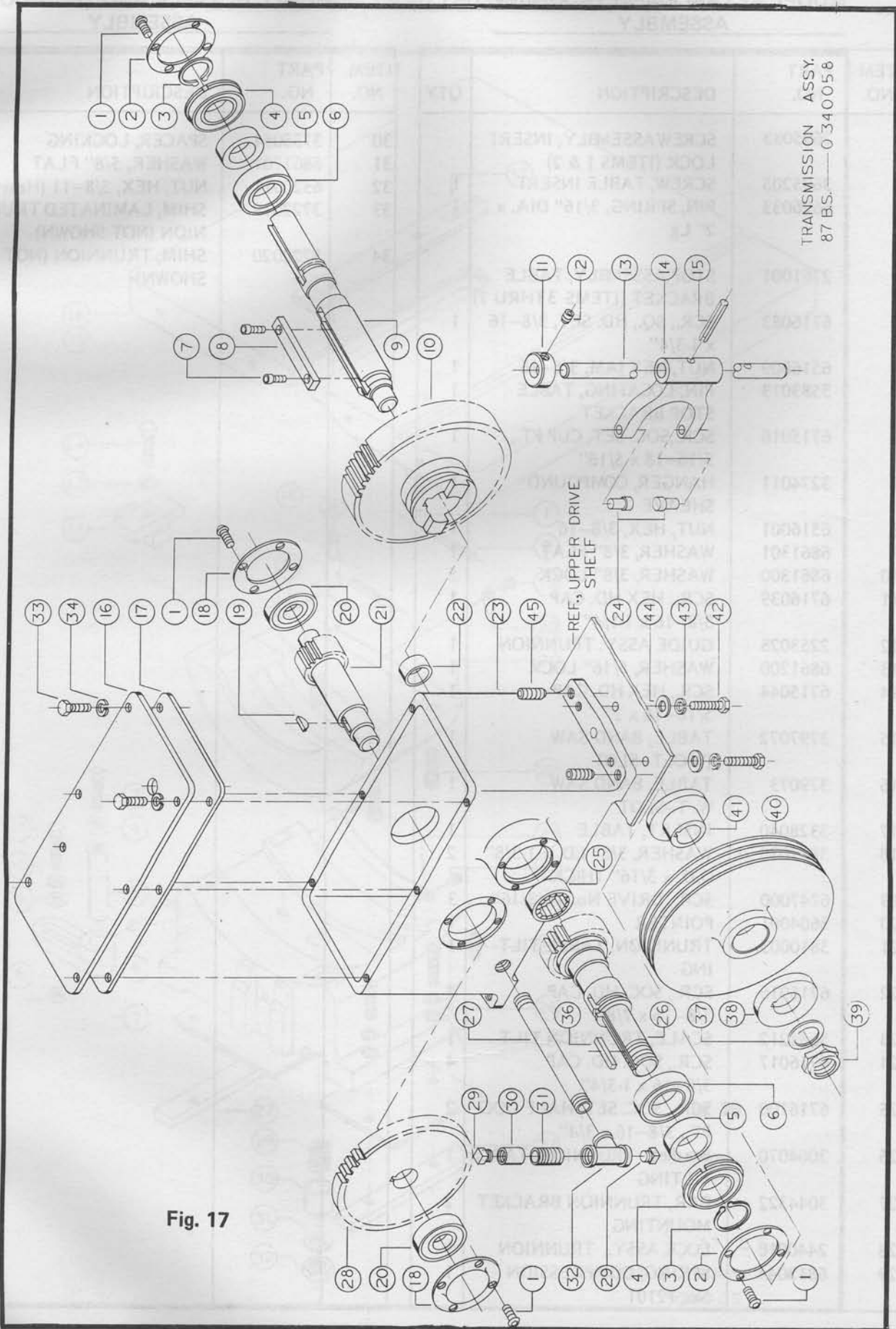


Fig. 17

MODEL 87 TRANSMISSION ASSEMBLY

MODEL 87 TRANSMISSION ASSEMBLY

ITEM NO.	PART NO.	DESCRIPTION	QTY.
		(ITEMS 1 THRU 35)	
	2805012	TRANSMISSION ASSEMBLY	
1	6714083	SCR., SOC.HD BUTTON 1/4-20 x 1/2"	16
2	3659016	RETAINER, BEARING	2
3	6670013	RING, RETAINING No. 5100-137	2
4	6060184	BEARING, BALL, FAFNIR, No. 207NPPG	2
5	3735077	SPACER, BEARING	2
6	6060185	BEARING, BALL, FAFNIR No. 207NPP	2
7	6710015	SCR., SOC. HD. CAP No. 10-24 x 1/2"	2
8	3388063	KEY, DRIVE	1
9	3700098	SHAFT, OUTPUT	1
10	3237335	GEAR, LOW SPEED DRIVEN	1
11	3096243	COLLAR	1
12	6715015	SCR., SOC. SET, CUP PT., 5/16-18 x 1/4"	1
13	3700097	SHAFT, SHIFTING	1
14	3936011	YOKE, SHIFTING	1
15	6626040	PIN, SPRING, 1/4 DIA. x 1-1/4" LG.	1
16	3800034	TOP, TRANSMISSION	1
17	3234022	GASKET, TRANSMISSION	1
18	3078078	CAP, BEARING	2
19	6420009	KEY, WOODRUFF No. 807	1
20	6060014	BEARING, BALL, SKF No. 6206-2RS	2
21	3705016	SHAFT, COUNTER	1
22	6063013	BEARING, INNER RACE TORRINGTON No. 1R-1212	1
23	3298367	HOUSING, TRANSMISSION	1
24	3582090	PIN, SHIFTING	2
25	6063041	BEARING, ROLLER TORRINGTON No. J-1612	1
26	3700099	SHAFT, INPUT	1
27	3509005	NIPPLE, PIPE, 1/2 NPT x 9"L	1
28	3237312	GEAR, INPUT DRIVEN	1
29	6638004	FITTING, PIPE, 1/2 NPT, PLUG	2
30	6634047	FITTING, PIPE, 1/2 NPT COUPLING	1
31	6634060	FITTING, PIPE, 1/2 NPT ALL THREAD CLOSE NIPPLE	1
32	6634072	FITTING, PIPE, 1/2 NPT "T" (STRAIGHT)	1
33	6714127	SCR., HEX HD. CAP, 1/4-20 x 1/2"	6
34	6861100	WASHER, 1/4" LOCK	6
35	6605018	OIL, TRANSMISSION MOBIL VACTRA No. 1	3qts.

ITEM NO.	PART NO.	DESCRIPTION	QTY.
36	3388066	KEY, FRICTION HUB	1
37	6863002	WASHER, BELLVILLE SPR.	1
38	3595333	PLATE, FRICTION	1
39	6576004	NUT, FLEXLOC, 1-14 (THIN HT.)	1
40	3719068	SHEAVE, TRANSMISSION	1
41	3301040	HUB, FRICTION	1
42	6716037	SCR., HEX HD. CAP, 3/8-16 x 2"	4
43	6861300	WASHER, 3/8" LOCK	4
44	3837035	WASHER, FLAT, STEEL 3/8 I.D. x 1-3/8 O.D. x 3/16" THICK	4
45	6718056	SCR., SOC. SET, 1/2-13 x 3/4"	4

MODEL 87 CHIP BLOWER KIT

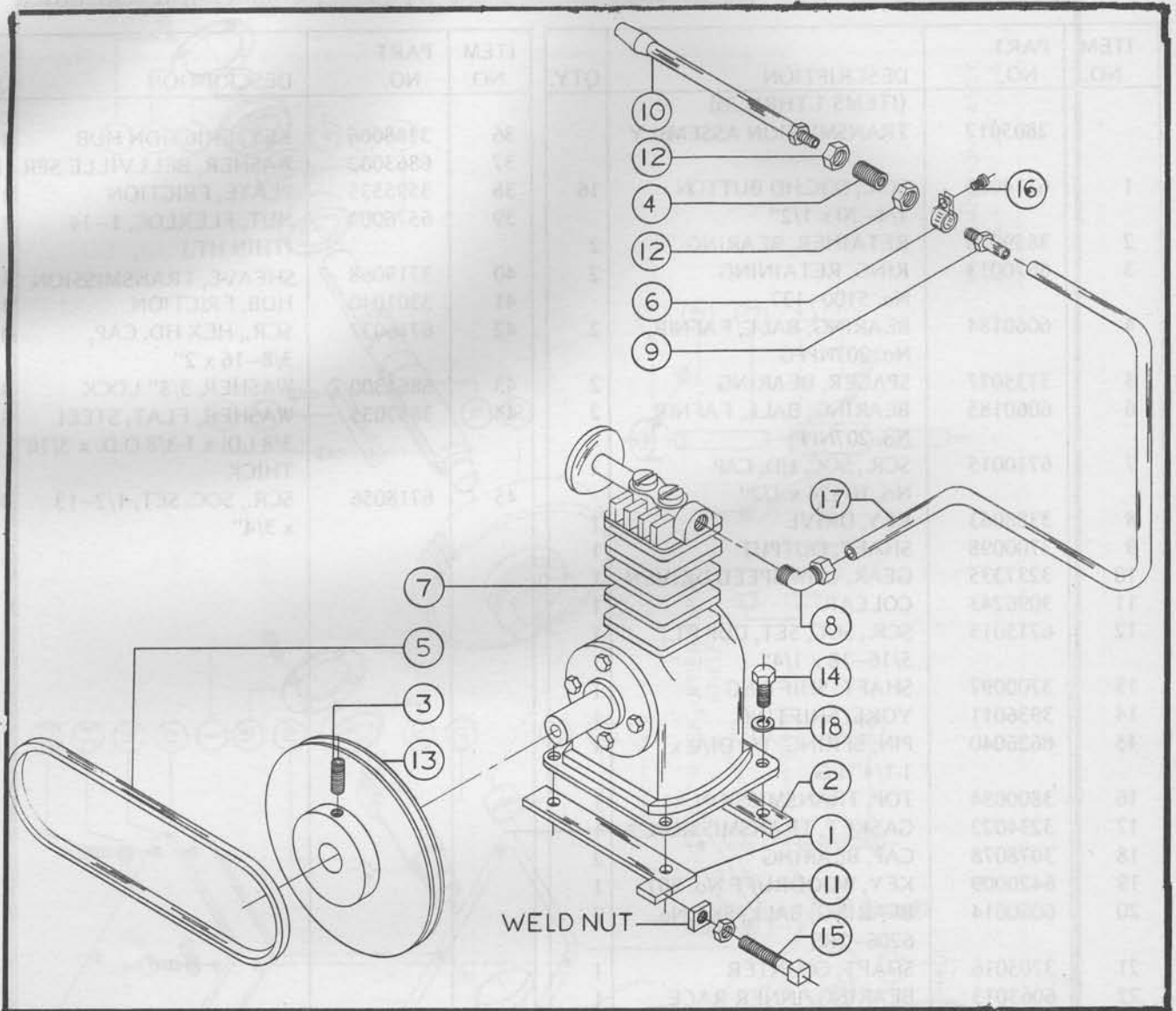


Fig. 18

MODEL 87 CHIP BLOWER KIT

PARTS LIST

MODEL 87 CHIP BLOWER KIT

ITEM NO.	PART NO.	DESCRIPTION	QTY.	ITEM NO.	PART NO.	DESCRIPTION	QTY.
1	2395003	CHIP BLOWER KIT (ITEMS 1 THRU 18)		11	6515007	NUT, HEX JAM, 5/16-18 (BELT ADJUSTING)	1
2	2040036	BAR, COMPRESSOR MTG., ASSEMBLY	1	12	6519004	NUT, HEX JAM, 9/16-12	2
3	3044309	BAR, COMPRESSOR MTG.	1	13	6714000	SHEAVE, COMPRESSOR	1
4	6714000	SCR., SOC. HD. SET, 1/4-20 X 1/2" L.	1	14	6715032	SCR., HEX HD. CAP, 5/16-18 X 1" L.	4
5	3773216	STUD, MOUNTING	1	15	6715092	SCR., SOC. HD. SET, 5/16-18 X 3/4" L. (BELT ADJUSTING)	1
6	6077076	BELT, "V" 7M710	1	16	6746002	SCR., PAN HD. SELF TAPPING No. 8 X 3/8" L.	1
7	6122023	CLAMP, TUBE, TINNERMAN No. C-3053A-6, 3/8"	1	17	6833009	TUBE, BLACK PLASTIC, 3/8 O.D. X .075" WALL	8
8	6134001	COMPRESSOR, SMITH No. 28	1	18	6861200	WASHER, LOCK, 5/16"	4
9	6284064	FITTING, TUBE, IMPERIAL EASTMAN No. KF04-04PS-90°	1				
10	6284073	FITTING, TUBE, 1/4 I.D. TUBE X 1/8 NPT, No. MBS 300-1/8 X 27" 1	1				
	6498001	NOZZLE, 1/8-27 NPT	1				

MODEL 87 ELECTRICAL SCHEMATIC, MANUAL CONTROL

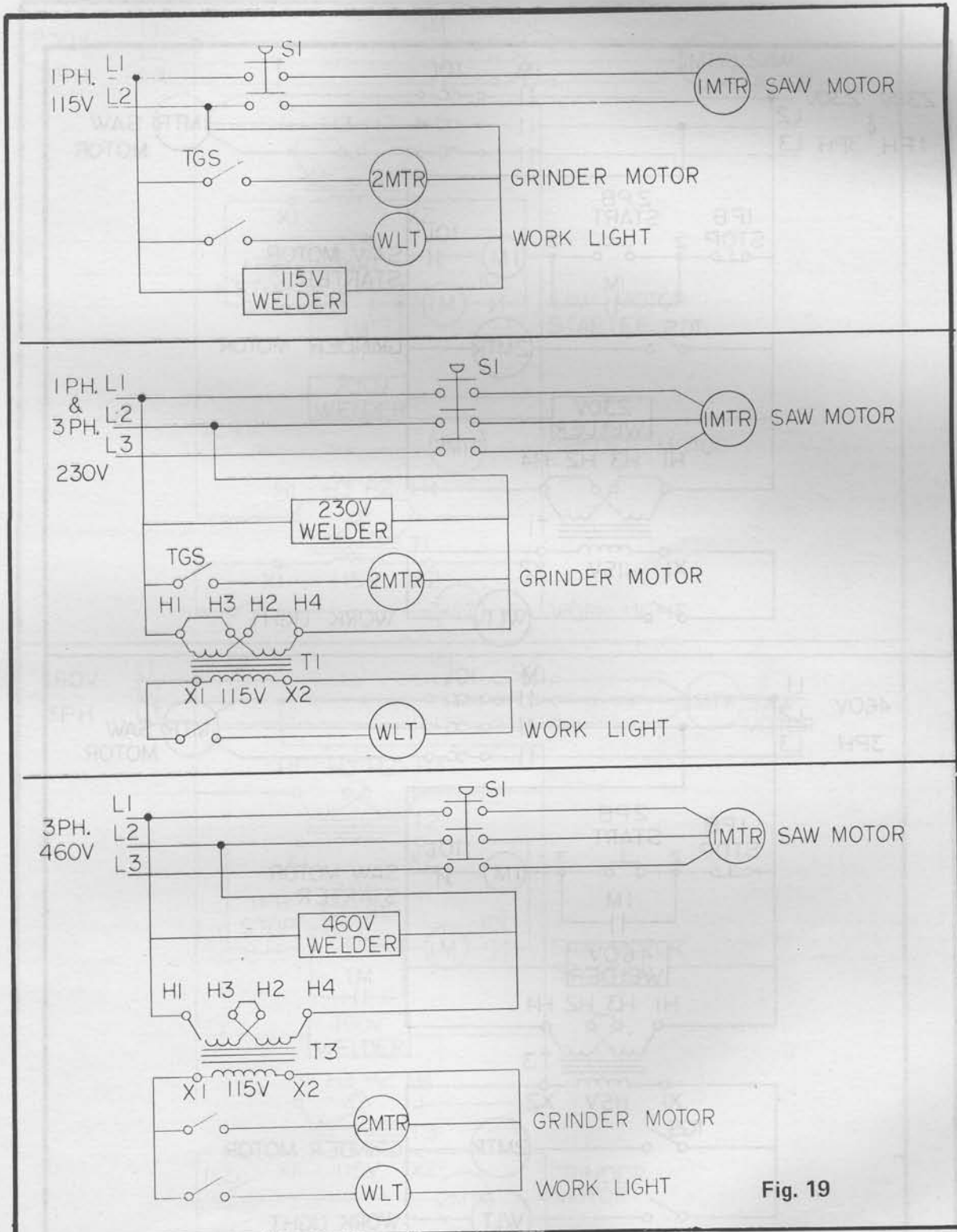


Fig. 19

MODEL 87 ELECTRICAL SCHEMATIC MAGNETICS WITH LOW VOLTAGE CONTROL

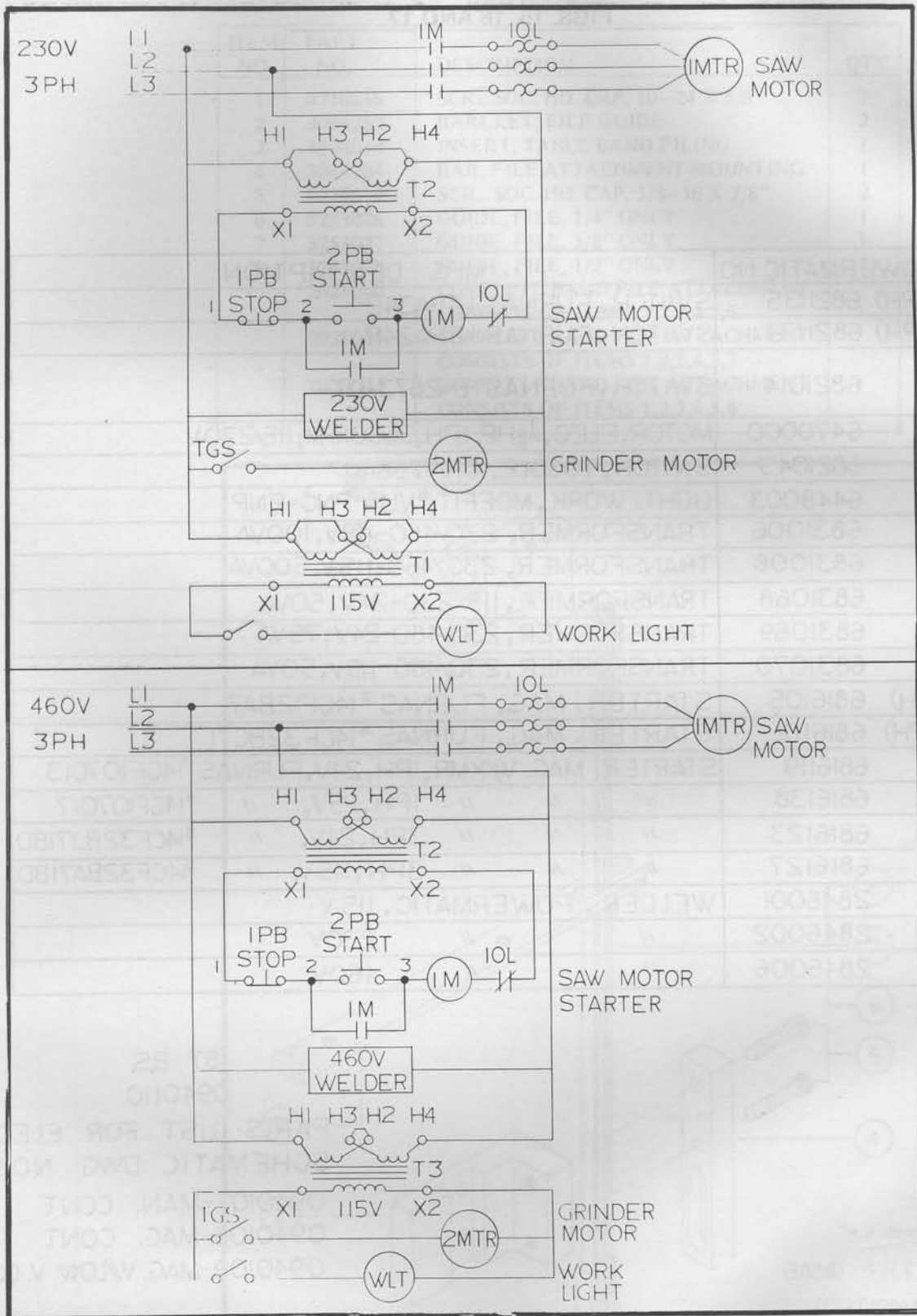


Fig. 21

MODEL 87 ELECTRICAL SCHEMATIC, MAGNETIC CONTROL

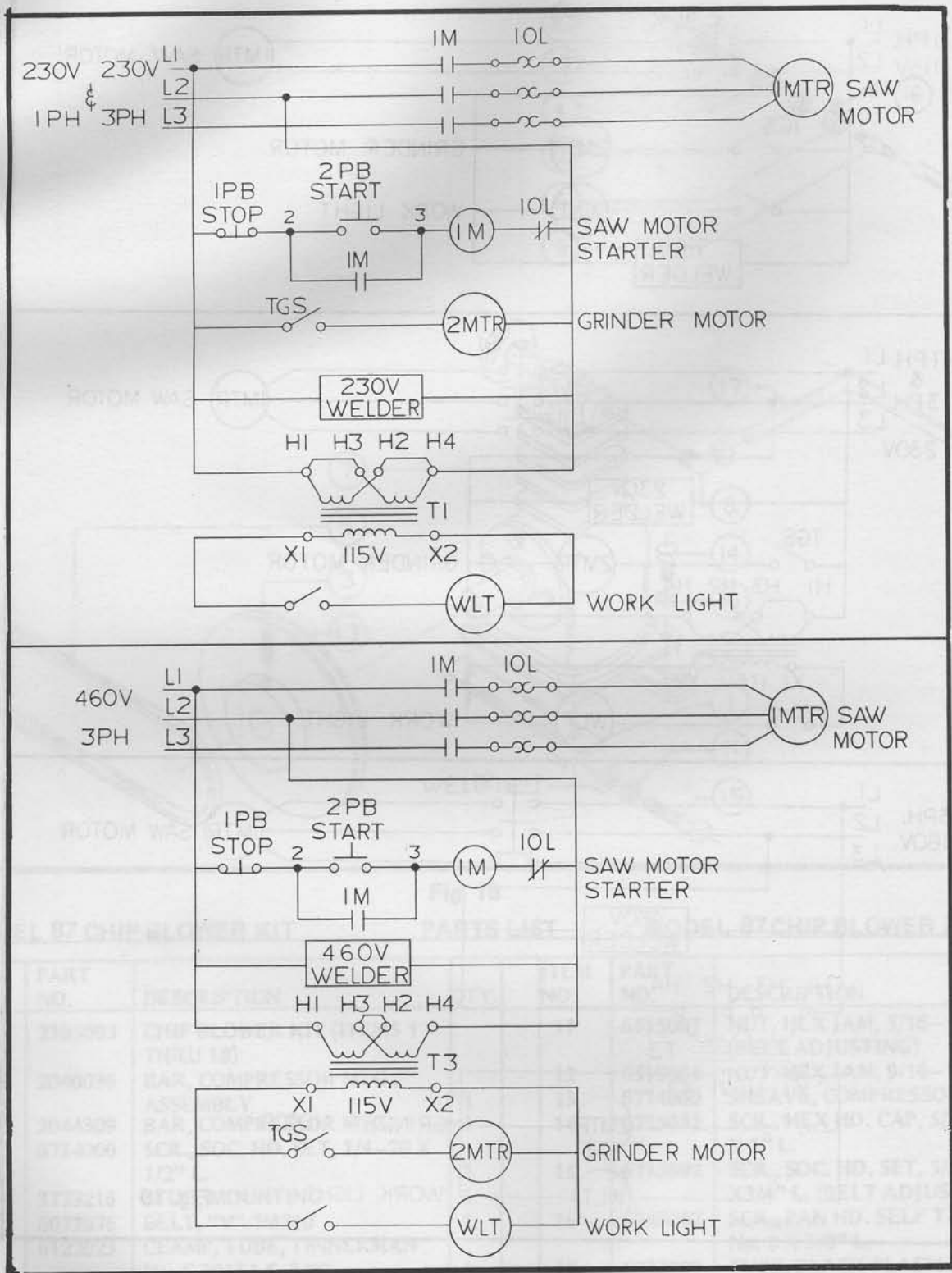


Fig. 20

ELECTRICAL SCHEMATICS PARTS LIST
FIGS. 15, 16 AND 17

REF.	QTY.	POWERMATIC NO.	MFG. DESCRIPTION
S1	1	(3PH) 6821135	SWITCH, FURNAS 12BA34P
		(1PH) 6821134	SWITCH, FURNAS 12BA24P
IPB 2PB	1	6821014	SWITCH, FURNAS B-2873 IB
ZMTR	1	6470000	MOTOR, ELEC, 1/6 HP, 1PH., 3600RPM, 115/230V
TGS	1	6821045	SWITCH, TOGGLE, CH #756IK1
WLT	1	6448003	LIGHT, WORK, MOFFIT #VLI8-PNC-ENP
T1	1	6831006	TRANSFORMER, 230/460-115V, 100VA
T3		6831008	TRANSFORMER, 230/460-115V, 500VA
T2	1	6831068	TRANSFORMER, 115/230-24V, 50VA
		6831069	TRANSFORMER, 230/460-24V, 75VA
		6831070	TRANSFORMER, 230/460-115V, 50VA
IM	1	(1PH) 6816105	STARTER, MAG., FURNAS #14CF12BA7
		(3PH) 6816112	STARTER, MAG., FURNAS #14CF32BC71
IM WITH XMR	1	6816119	STARTER, MAG. W/XMR, 1PH, 24V, FURNAS #14CF107013
		6816138	// // // 1PH, 115V, // #14CF107017
		6816123	// // // 3PH, 24V, // #14CF32BJ71BD
		6816127	// // // 3PH, 115V, // #14CF32BA71BD
WEL- DER	1	2846001	WELDER, POWERMATIC, 115 V
		2846002	// // 230V
		2846006	// // 460V

87 BS.
0940110

PARTS LIST FOR ELEC.
SCHEMATIC DWG NO.S
0940107-MAN. CONT.
0940108-MAG. CONT.
0940109-MAG. W/LOW V. CONT.

Fig. 22

**MODEL 87 BAND FILE ATTACHMENT
(OPTIONAL)**

ITEM NO.	PART NO.	DESCRIPTION	QTY.
1	6710016	SCR., SOC. HD. CAP, 10-24 X 5/8"	2
2	3064282	BARCKET, FILE GUIDE	2
3	3328054	INSERT, TABLE BAND FILING	1
4	3044204	BAR, FILE ATTACHMENT MOUNTING	1
5	6716016	SCR., SOC. HD. CAP, 3/8-16 X 7/8"	2
6	3253026	GUIDE, FILE, 1/4" ONLY	1
7	3253027	GUIDE, FILE, 3/8" ONLY	1
8	3253028	GUIDE, FILE, 1/2" ONLY	1
	2028040	COMPLETE BAND FILE ATTACHMENT CONSISTS OF ITEMS 1,2,3,4,5,6	
	2028041	COMPLETE BAND FILE ATTACHMENT CONSISTS OF ITEMS 1,2,3,4,5,7	
	2028042	COMPLETE BAND FILE ATTACHMENT CONSISTS OF ITEMS 1,2,3,4,5,8	

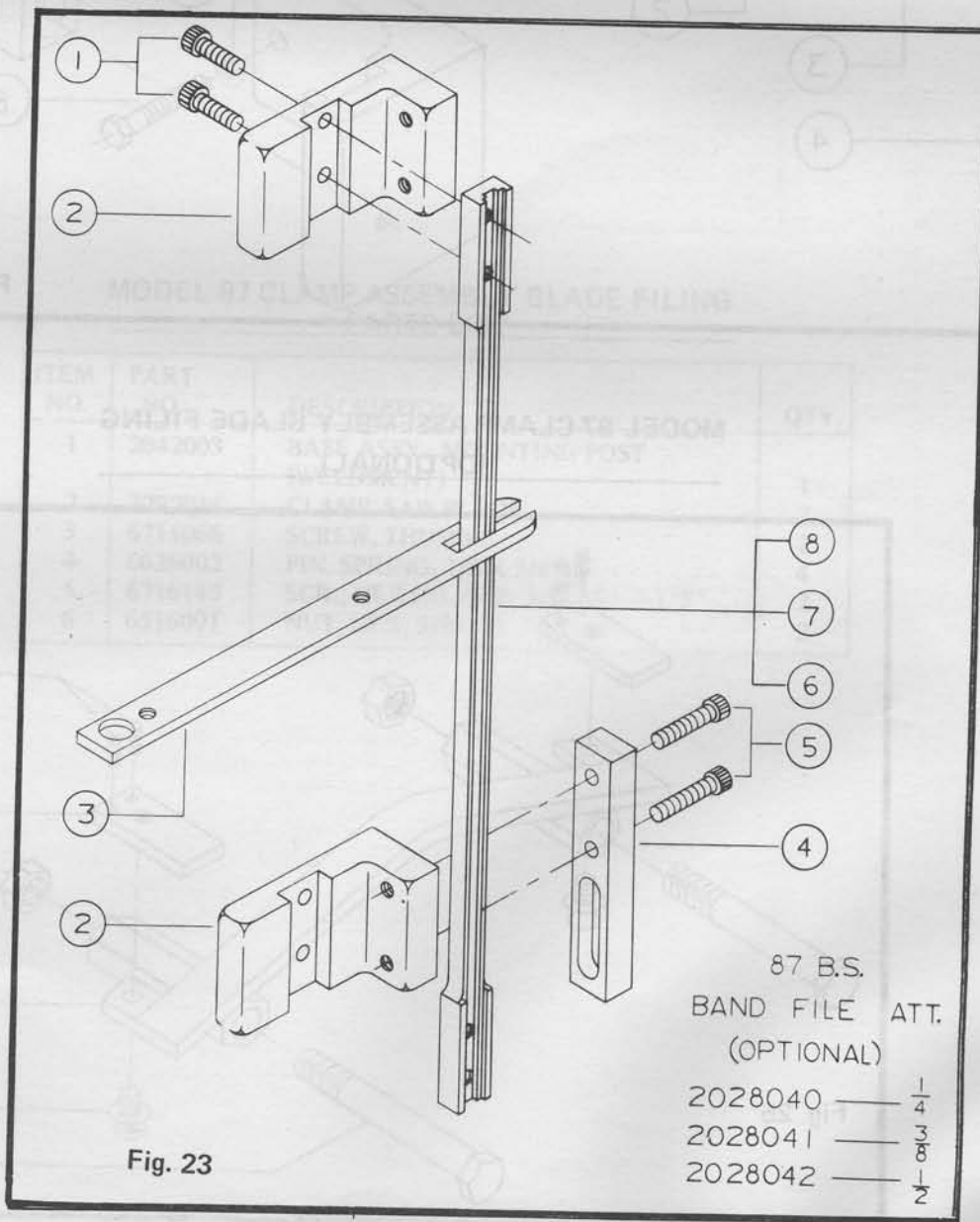
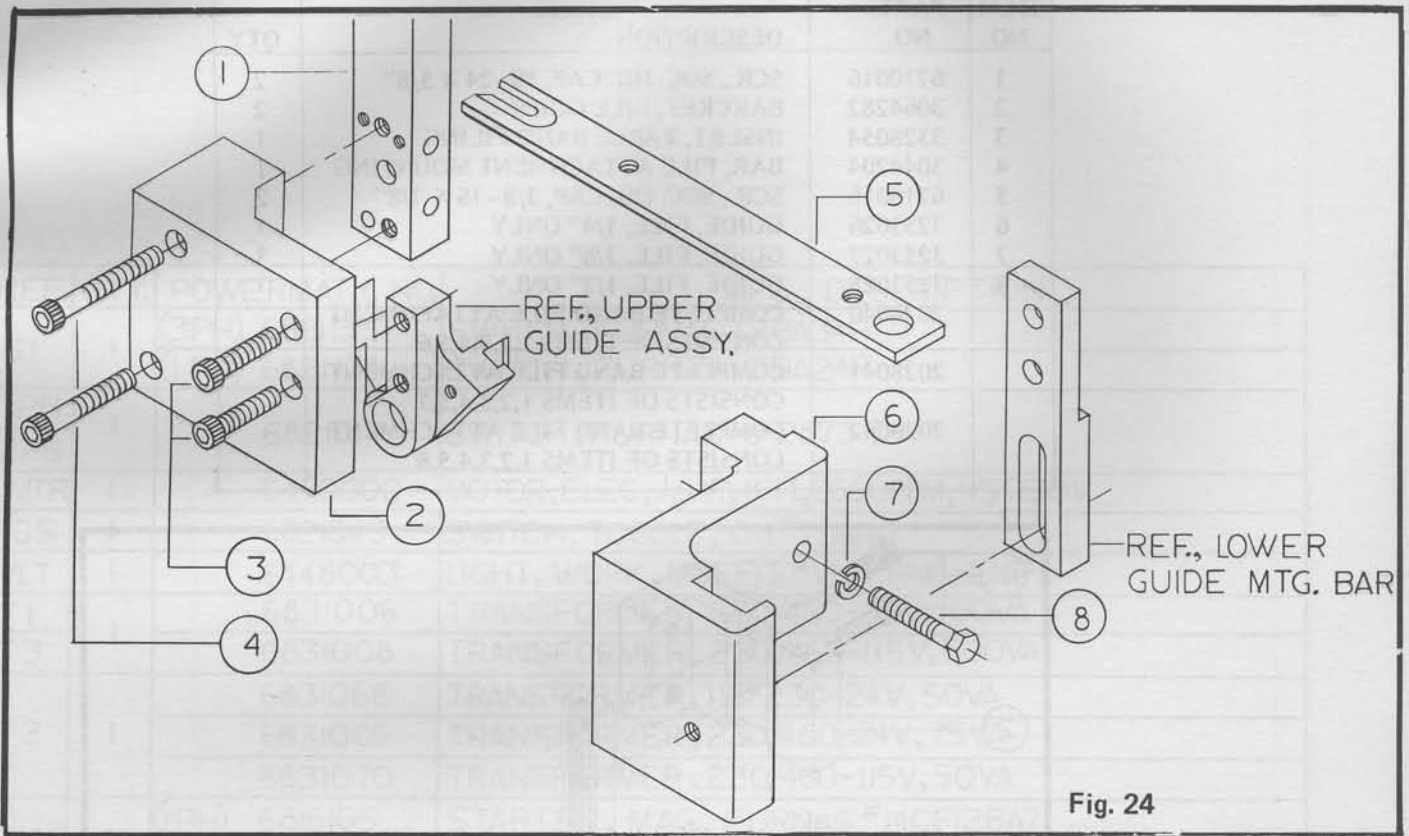
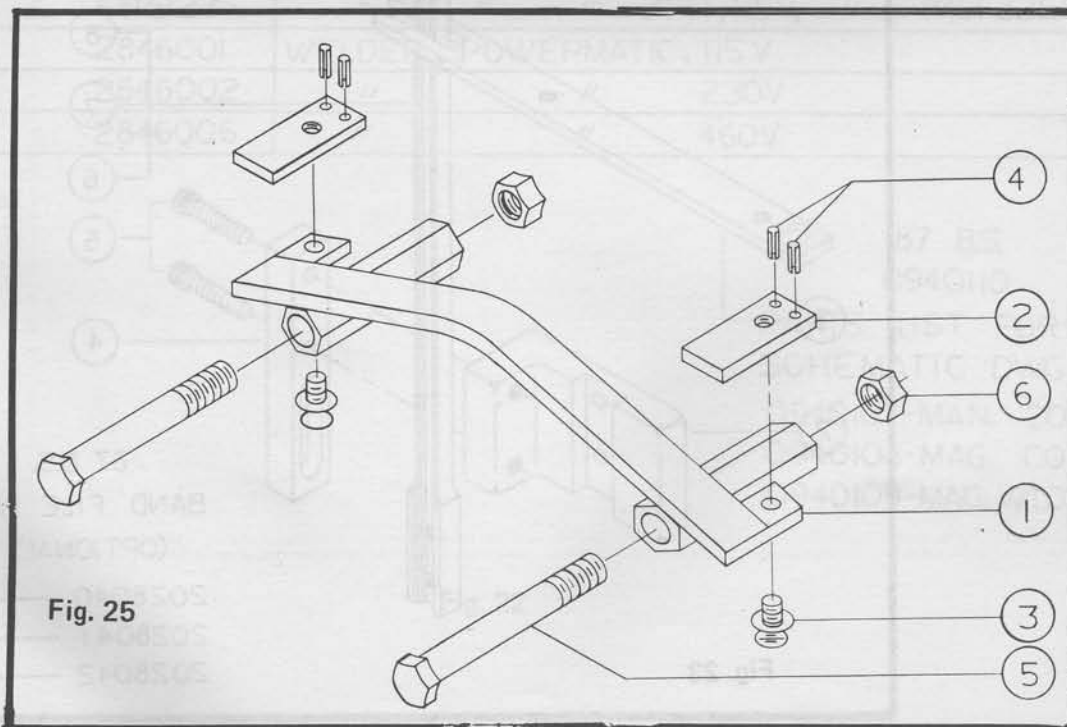


Fig. 23

**MODEL 87 GUIDE ASSEMBLY, 90°
(OPTIONAL)**



**MODEL 87 CLAMP ASSEMBLY BLADE FILING
(OPTIONAL)**



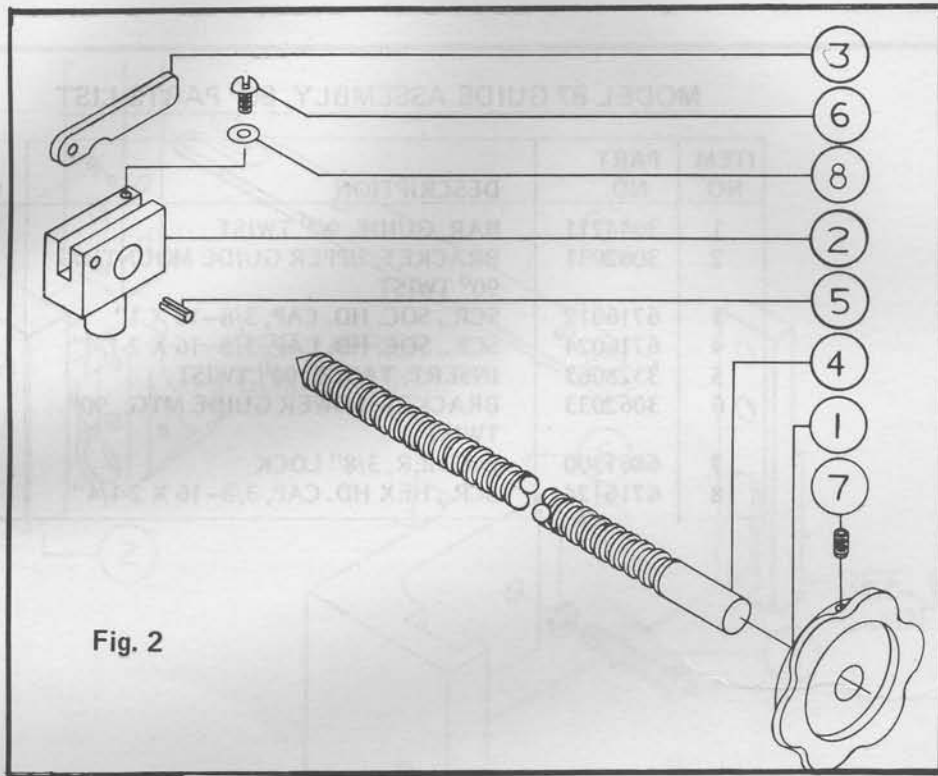
MODEL 87 GUIDE ASSEMBLY, 90° PARTS LIST

ITEM NO.	PART NO.	DESCRIPTION	QTY.
1	3044211	BAR, GUIDE, 90° TWIST	1
2	3062031	BRACKET, UPPER GUIDE MOUNTING 90° TWIST	1
3	6716012	SCR., SOC. HD. CAP, 3/8-16 X 1"	2
4	6716024	SCR., SOC. HD. CAP, 3/8-16 X 2-1/4"	2
5	3328063	INSERT, TABLE, 90° TWIST	1
6	3062033	BRACKET, LOWER GUIDE MTG., 90° TWIST	1
7	6861300	WASHER, 3/8" LOCK	1
8	6716124	SCR., HEX HD. CAP, 3/8-16 X 2-1/4"	1

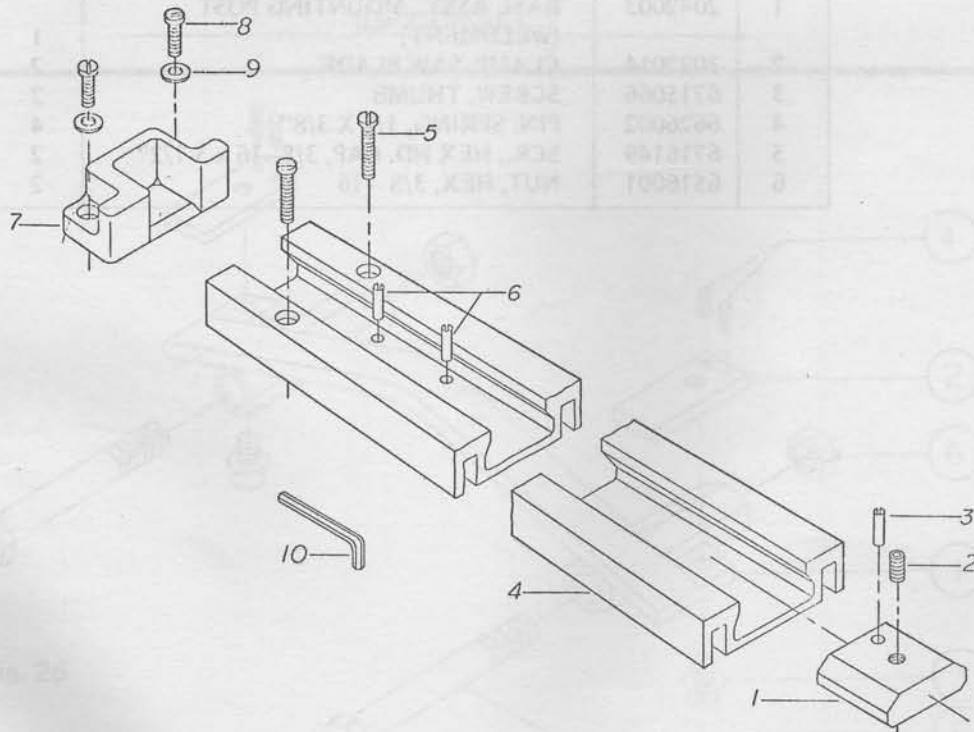
MODEL 87 CLAMP ASSEMBLY BLADE FILING PARTS LIST

ITEM NO.	PART NO.	DESCRIPTION	QTY.
1	2042003	BASE ASSY., MOUNTING POST (WELDMENT)	1
2	3092014	CLAMP, SAW BLADE	2
3	6715066	SCREW, THUMB	2
4	6626002	PIN, SPRING, 1/8 X 3/8"	4
5	6716149	SCR., HEX HD. CAP, 3/8-16 x 3-1/2"	2
6	6516001	NUT, HEX, 3/8 -16	2

**MODEL 87 HAND FEED ASSEMBLY
(OPTIONAL)**



**MODEL 87 CIRCLE CUTTING ATTACHMENT
(OPTIONAL)**



MODEL 87 HAND FEED ASSEMBLY PARTS LIST

ITEM NO.	PART NO.	DESCRIPTION	QTY.
1	3271009	HANDWHEEL, 3-1/2 X .627"	1
2	3529001	NUT, HAND FEED SCREW, 3/4 X 1-1/4 X 3-3/4"	1
3	3581003	PAWL, HAND FEED NUT, .050 X 5/8 X 1-7/8"	1
4	3692002	SCREW, HAND FEED, 5/8 X 13-3/4"	1
5	6626004	PIN, SPRING, 1/8 X 3/4" L	1
6	6706035	SCREW, ROUND HD., 6-32 X 1/4" L	1
7	6715016	SCREW, SOC. SET, CUP, 5/16-18 x 5/16" L	1
8	6860600	WASHER, STEEL, FLAT, No. 6	1

141, 143, 81, 87 BAND SAW
CIRCLE CUTTING ATTACHMENT
2028073 (Optional)

NO.	PART NO.	DESCRIPTION	QTY.
	2028073	Circle Cutting Attachment (Items 1 thru 12)	
	2730041	Slide Assy. (Items 1 thru 3)	
1	3730071	Slide, circle cutting	1
2	6765037	Screw, Hex Soc. set, 5/16-24 x 5/8, nylon tip	1
3	6626030	Pin, spring, 3/16 Dia. x 3/4 long	1
4	3044221	Bar, circle cutting	1
5	6714199	Screw, slotted pan Hd. Mach., 1/4-20 x 1-1/4	2
6	6626028	Pin, spring, 3/16 Dia. x 1/2 long	2
7	3776076	Support, left	1
8	6714200	Screw, slotted pan Hd. Mach., 1/4-20 x 5/8	2
9	6861101	Washer, 1/4 flat	2
10	6960011	Wrench, hex key, 5/32	1
11	7900012	Wood, pine, 1" x 4" (not shown)	3 FT.
12	3080097	Carton, circle cutting attachment (not shown)	1

MODEL 87 BLADE CUTTER ASSEMBLY
(OPTIONAL)

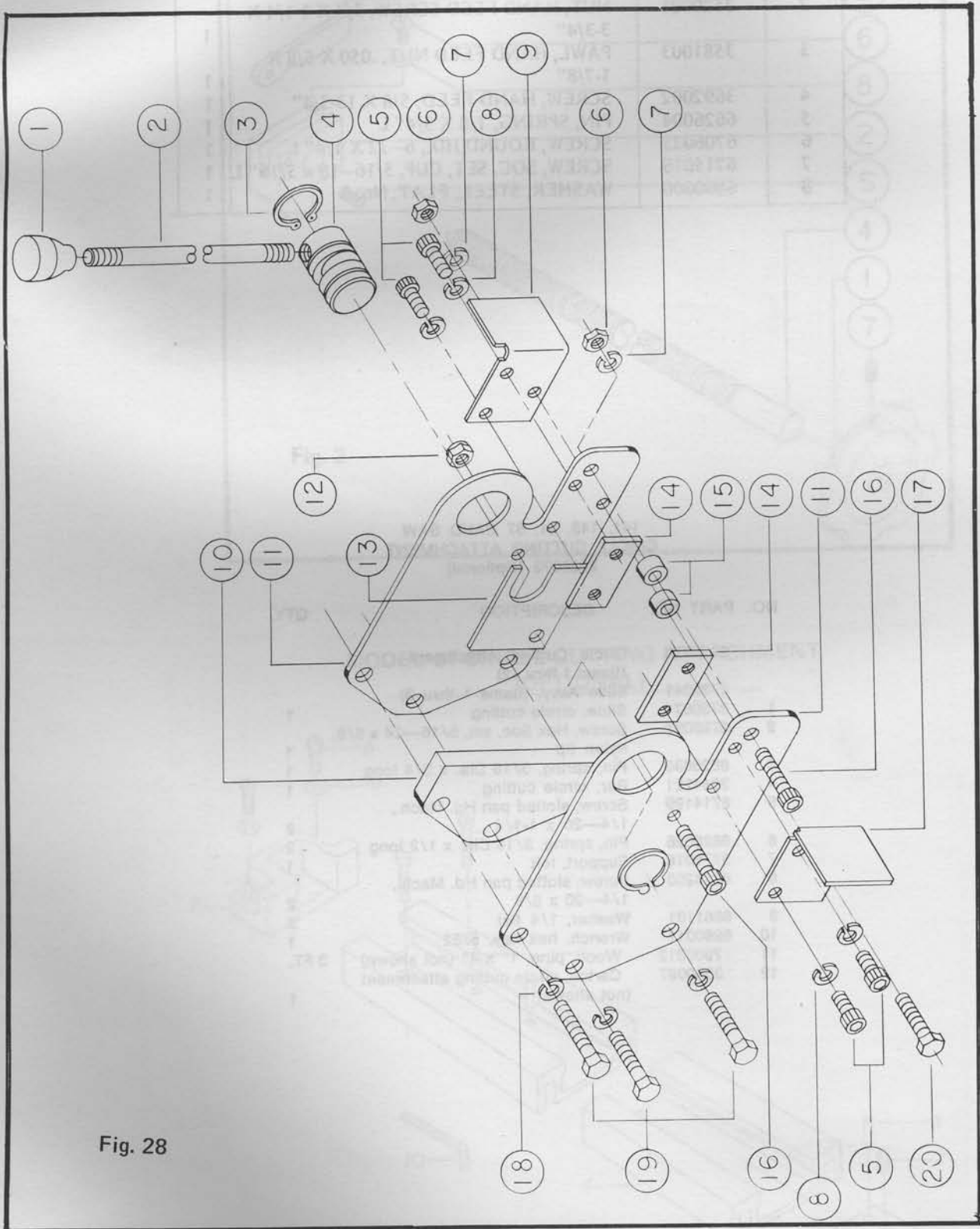


Fig. 28

MODEL 87 BLADE CUTTER ASSEMBLY PARTS LIST

ITEM NO.	PART NO.	DESC DESCRIPTION	QTY.
1	3407201	KNOB, TEARDROP	1
2	3670030	ROD, CAM OPERATING, BLADE CUTTER	1
3	6670005	RING, RETAINING, TRUAC No. 5100-100	2
4	3076004	CAM, BLADE CUTTER	1
5	6710014	SCR., SOC. HD. CAP, No.20-24 X 3/8"	4
6	6514008	NUT, HEX JAM, 1/4-20	2
7	6861100	WASHER, 1/4" LOCK	2
8	6860802	WASHER, No. 10 LOCK	4
9	3215004	FLANGE, BLADE CUTTER, RIGHT HAND	1
10	3042008	BASE, BLADE CUTTER SPACING	1
11	3595015	PLATE, SIDE	2
12	6514002	NUT, HEX LOCK, 1/4-20	1
13	3052001	BLADE, CUTTER, SLIDING	1
14	3052002	BLADE, CUTTER, STATIONARY	2
15	3735014	SPACER, INSIDE, BLADE CUTTER	2
16	6714016	SCR., SOC. HD. CAP, 1/4-20 X 1"	2
17	3215001	FLANGE, BLADE CUTTER, LEFT HAND	2
18	6861200	WASHER, 5/16" LOCK	3
19	6715034	SCR., HEX HD. CAP, 5/16-18 X 1-1/4"	3
20	6714048	SCR., HEX HD. CAP, 1/4-20 X 1"	1

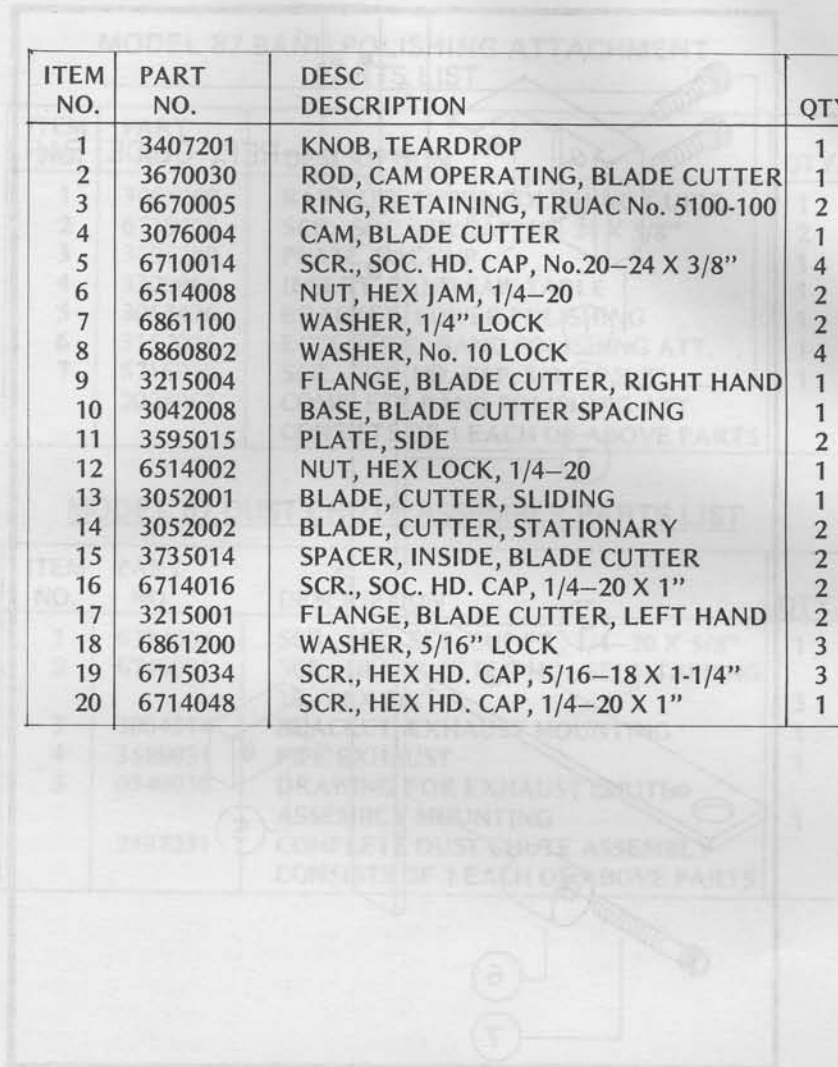


Fig. 29

MODEL 87 DUST CHUTE ASSEMBLY (OPTIONAL)

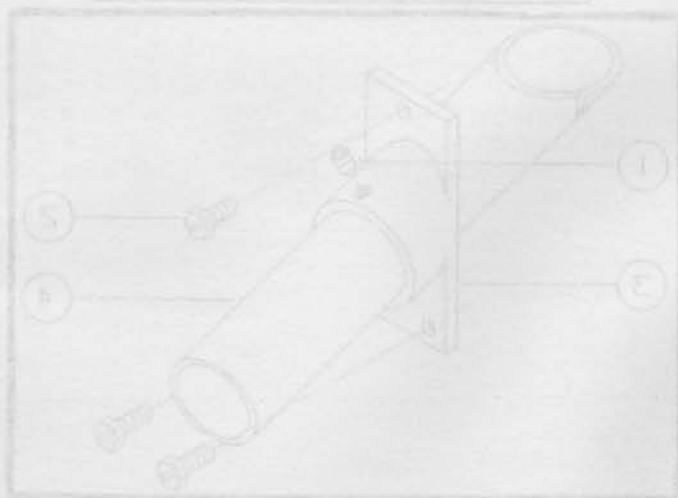


Fig. 30

**MODEL 87 BAND POLISHING ATTACHMENT
(OPTIONAL)**

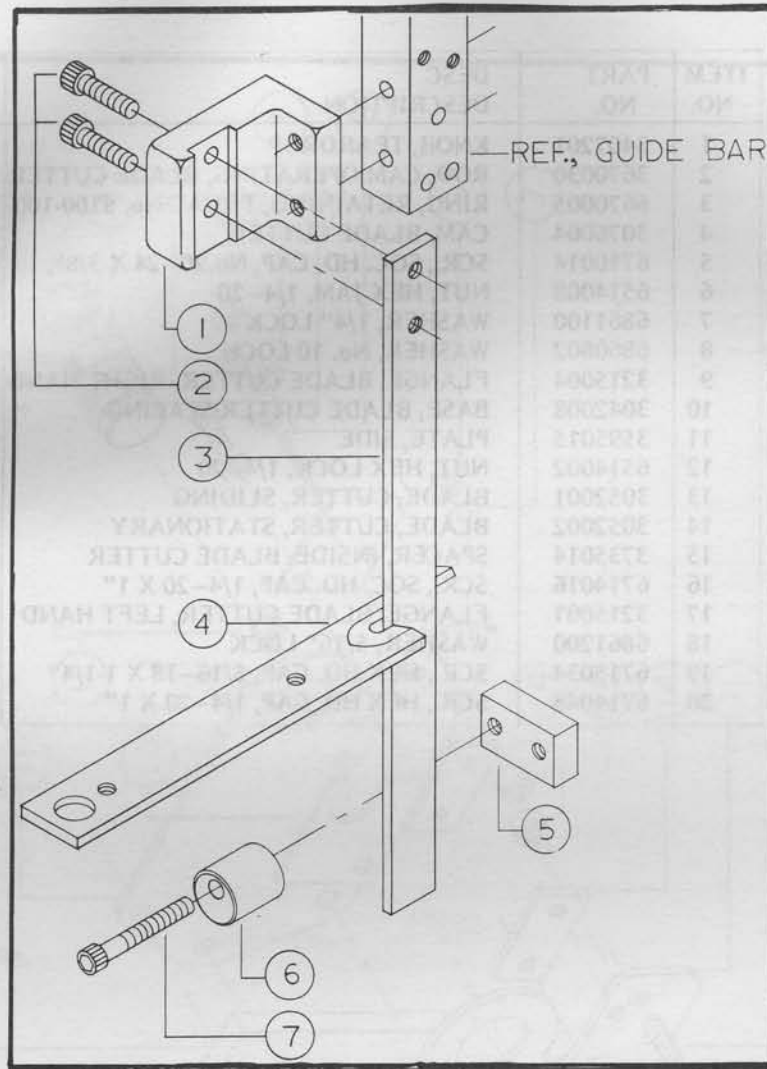


Fig.29

**MODEL 87 DUST CHUTE ASSEMBLY
(OPTIONAL)**

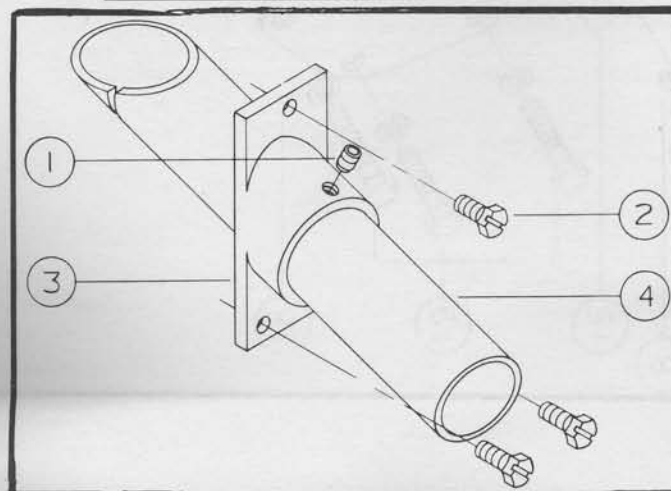


Fig. 30

MODEL 87 BAND POLISHING ATTACHMENT
PARTS LIST

ITEM NO.	PART NO.	DESCRIPTION	QTY.
1	3064280	BARCKET, UPPER POLISHING GUIDE	1
2	6710016	SCR., SOC. HD. CAP, 10-24 X 5/8"	2
3	3595288	PLATE, BACKUP	1
4	3328064	INSERT, BAND SAW TABLE	1
5	3063426	BRACKET, LOWER POLISHING	1
6	3157005	ECCENTRIC, BAND POLISHING ATT.	1
7	6716019	SCR., SOC. HD. CAP, 3/8-16 X 2"	1
	2028063	COMPLETE BAND POLISHING ATT. CONSISTS OF 1 EACH OF ABOVE PARTS	

MODEL 87 DUST CHUTE ASSEMBLY PARTS LIST

ITEM NO.	PART NO.	DESCRIPTION	QTY.
1	6714004	SCR., SOC. SET, CUP PT., 1/4-20 X 5/8"	1
2	6746031	SCR., HEX SLOTTED HD., SELF-TAPPING 10-24 X 5/8"	3
3	3064314	BEACKET, EXHAUST MOUNTING	1
4	3589031	PIPE EXHAUST	1
5	0340030	DRAWING FOR EXHAUST CHUTE ASSEMBLY MOUNTING	1
	2397031	COMPLETE DUST CHUTE ASSEMBLY CONSISTS OF 1 EACH OF ABOVE PARTS	

MODEL 87 POWER FEED ATTACHMENT
(OPTIONAL)

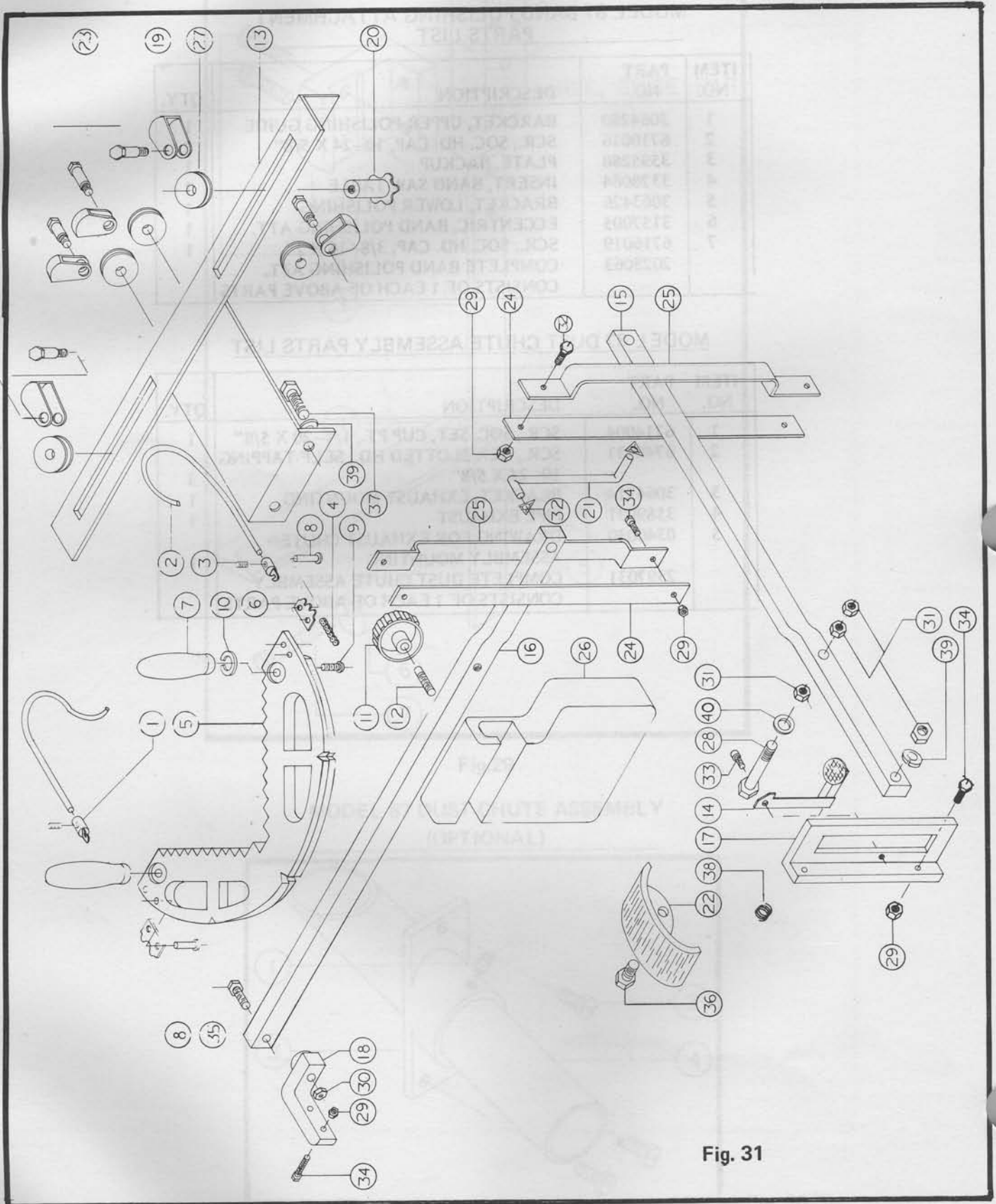


Fig. 31

MODEL 87 POWER FEED ATTACHMENT PARTS LIST

ITEM NO.	PART NO.	DESCRIPTION	QTY.
	2253026	GUIDE ASSY., MATERIAL (ITEMS 1 THRU 10)	
	2077001	CABLE ASSY., MATERIAL GUIDE LONG (ITEMS 1 THRU 3)	
1	3295001	HOOK, CHAIN	2
2	3077003	CABLE, AIRCRAFT, 1/8" DIA. X 8" L	1
3	6714004	SCR., SOC. SET, CUP PT., 1/4-20 X 1/4" L	2
4	3083022	CHAIN, ROLLER, No. 65-1-1/2P X 48" L	1
5	3253030	GUIDE, MATERIAL	1
6	3688001	SEGMENT, TOOTH	2
7	6350007	HANDLE	2
8	6680008	RIVET, FLAT HD., 3/16 X 5/8" L	4
9	6765010	SCREW, BUTTON HD. CAP, 5/16-24 X 3/4"	2
10	6861200	WASHER, 5/16" LOCK	2
	2695002	SCREW, LOCK ASSY. (ITEMS 11 & 12)	
11	3406017	KNOB	1
12	3695019	SCREW, LOCK	1
13	2063002	BRACKET ASSY., POWERFEED (WELDMENT)	1
14	2587001	LOCK ASSY., PEDAL (WELDMENT)	1
15	3044038	BAR, PEDAL	1
16	3044060	BAR, WEIGHT	1
17	3062005	BRACKET, ANGLE	1
18	3065003	BRACKET, PIVOT	1
19	3250009	GUARD, WHEEL	5
20	3406025	KNOB, POWERFEED	2
21	3445004	LINK, CONNECTING	1
22	3587002	PEDAL, FOOT	1
23	3697202	SCREW, SHOULDER	5
24	3770013	STRIP, GUIDE	2
25	3770014	STRIP, GUIDE	2
26	3848008	WEIGHT	1
27	3850001	WHEEL, POWERFEED	5
28	6086022	BOLT, TAP, 1/2-13 x 2-3/4" L	1
29	6514001	NUT, HEX, 1/4-20	9
30	6516001	NUT, HEX, 3/8-16	1
31	6518001	NUT, HEX, 1/2-13	4
32	6670078	RING, RETAINING, TRUARC (No. 5305-37)	2
33	6714040	SCR., FIL. HD., 1/4-20 X 1-1/2" L	2
34	6714048	SCR., HEX HD. CAP, 1/4-20 X 1" L	7
35	6716037	SCR., HEX HD. CAP, 3/8-16 X 2" L	1
36	6718012	SCR., HEX HD. CAP, 1/2-13 x 2" L	1
37	6718015	SCR., HEX HD. CAP, 1/2-13 X 1" L	2
38	6813002	SPRING, COMPRESSION, No. 1-101	1
39	6861500	WASHER, 1/2" LOCK SPRING	3
40	6861501	WASHER, 1/2" FLAT	1

**MODEL 87 MITER GAUGE ASSEMBLY
(OPTIONAL)**

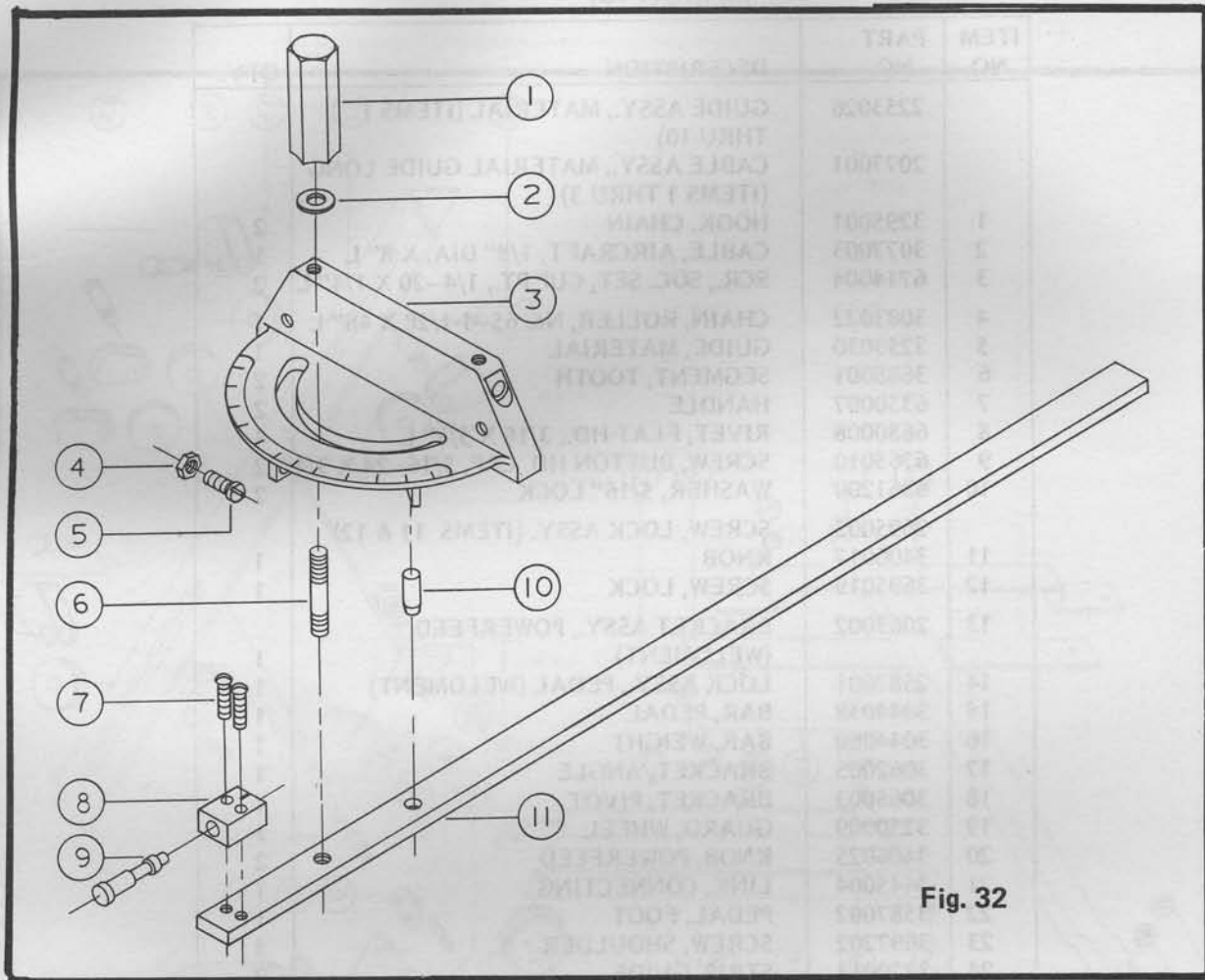


Fig. 32

**MODEL 87 STOP ROD ASSEMBLY
(OPTIONAL)**

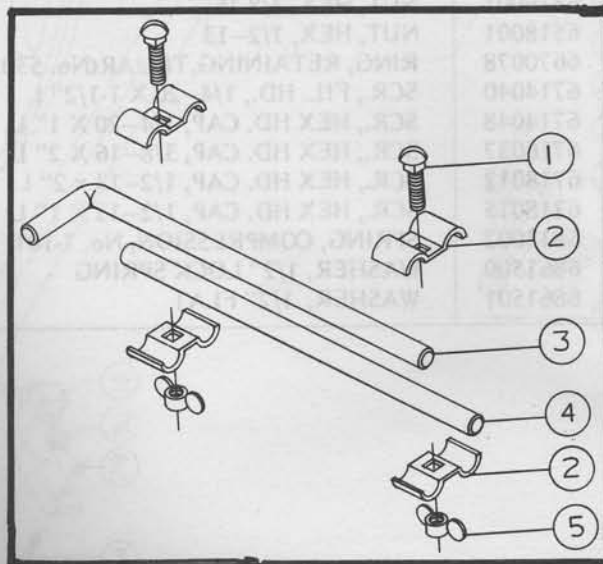


Fig. 33

MODEL 87 MITER GAUGE ASSEMBLY PARTS LIST

ITEM NO.	PART NO.	DESCRIPTION	QTY.
1	3268050	KNOB, MITER	1
2	6861101	WASHER, FLAT, 1/4"	1
3	3230007	GAUGE, MITER	1
4	6506003	NUT, HEX, No. 6-32 (PLATED)	3
5	6706094	SCR., RD. HD. MACH., 6-32 x 1/2"	3
6	3695220	SCREW, LOCK	1
7	6706041	SCR., RD. HD. MACH., 6-32 X 3/4"	2
8	3055101	BLOCK, POINTER	1
9	3582097	PIN, STOP	1
10	6623012	PIN, DOWEL, 1/4 X 1"	1
11	3044312	BAR, MITER GAUGE	1

MODEL 87 STOP ROD ASSEMBLY PARTS LIST

ITEM NO.	PART NO.	DESCRIPTION	QTY.
1	6086000	BOLT, CARRIAGE, No. 10-24 X 3/4"	2
2	3092001	CLAMP	4
3	3670002	ROD, STOP (90° BEND)	1
4	3670003	ROD, STOP (STRAIGHT)	1
5	6510002	NUT, WING, No. 10-24 (ZINC PLATED)	1

MODEL 87 - 45° TWIST GUIDE ASSEMBLY
(OPTIONAL)

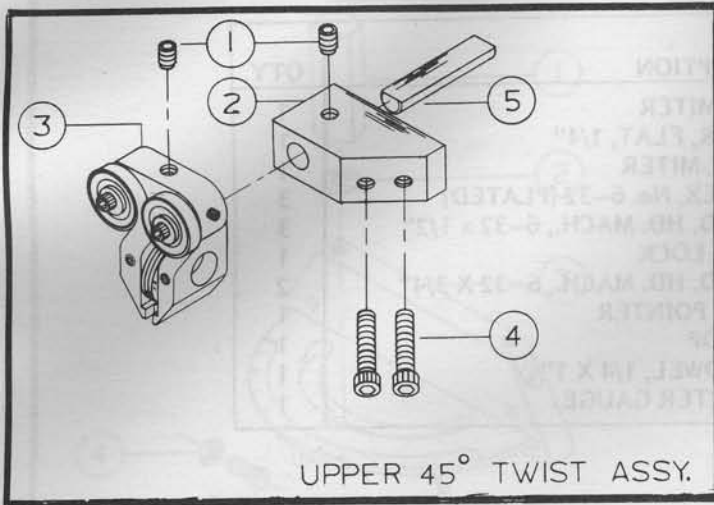


Fig. 34

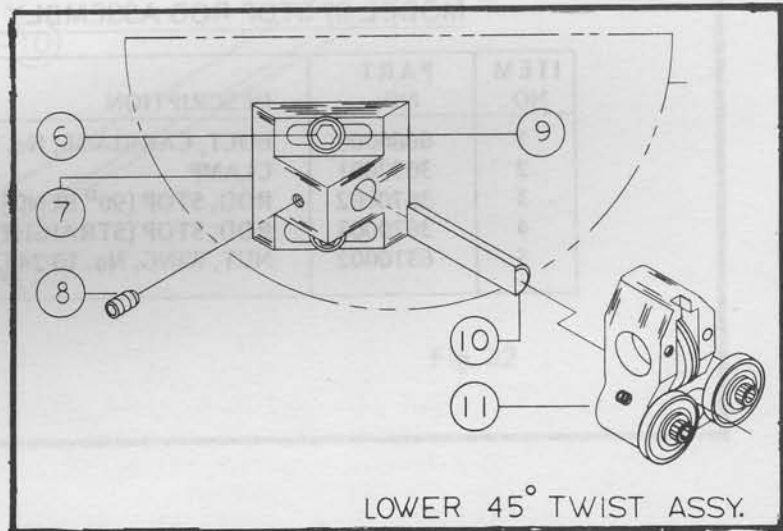


Fig. 35

MODEL 87 - 45° TWIST GUIDE ASSEMBLY
PARTS LIST

ITEM NO.	PART NO.	DESCRIPTION	QTY
	2253049	Guide Assembly, 45° Upper (Items 1 Thru 5)	
1	6714159	Scr., Soc. Set, 1/4-20 x 3/8"	2
2	3064211	Bracket, Upper Guide Mounting	1
3	6339002	Guide, Band Saw	1
4	6715027	Scr., Soc. Hd. Cap, 5/16-18 x 1-3/4"	2
5	3582028	Pin, Dowel, 7/16 x 2-1/2"	1
	2253054	Guide Assembly, 45° Lower (Items 6 Thru 11)	
6	6715020	Scr., Soc. Hd. Cap, 5/16-18 x 1"	2
7	3064212	Bracket, Lower Guide Mounting	1
8	6714159	Scr., Soc. Set, 1/4-20 x 3/8"	2
9	6861201	Washer, 5/16" Flat	2
10	3582027	Pin, Dowel, 7/16 x 2-5/8"	1
11	6339002	Guide, Band Saw	1

SHOWN IN THE FOLLOWING FIGURES ARE SOME OF THE TYPICAL OPERATIONS PERFORMED ON BAND SAWS.

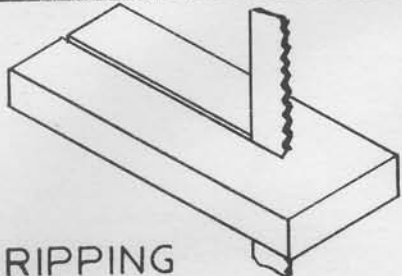
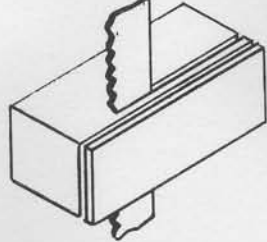
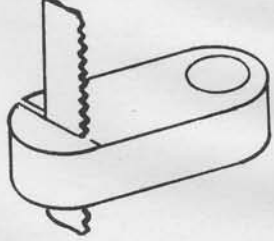
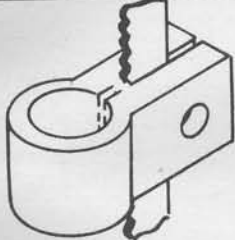
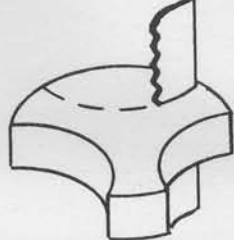
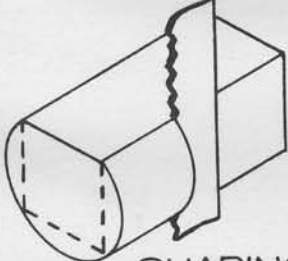

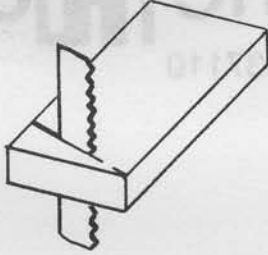
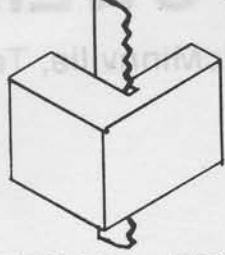
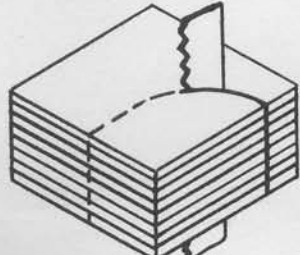
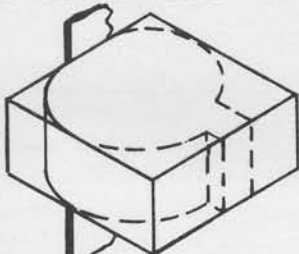
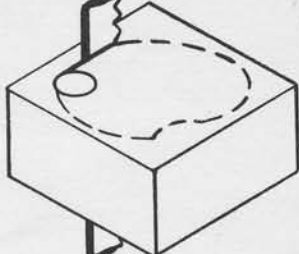
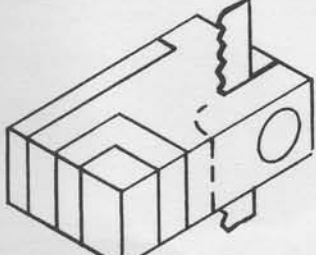
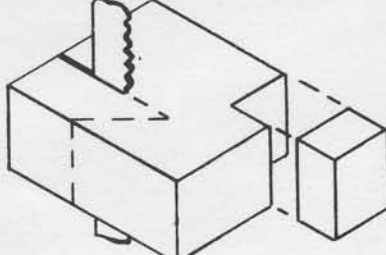
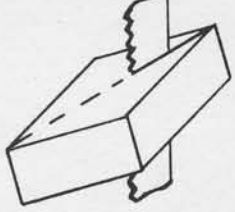
 <p>RIPPING</p>	 <p>SLICING</p>	 <p>BEVELING</p>
 <p>SLOTTING</p>	 <p>SEGMENTING</p>	 <p>SHAPING CUT</p>
 <p>SPLITTING</p>	 <p>ANGULAR CUT</p>	 <p>GRINDING RELIEF</p>
 <p>STACK CUTTING</p>	 <p>EXTERNAL CONTOUR</p>	 <p>INTERNAL CONTOUR</p>
 <p>THREE-DIM. CUTTING</p>	 <p>SHAPING</p>	 <p>COMPOUND ANGLE CUT</p>

Fig. 30

POWERMATIC HOUDAILLE, INC.

McMinnville, Tennessee 37110

AC 615-473-5551



May 1979

PPS-3771M