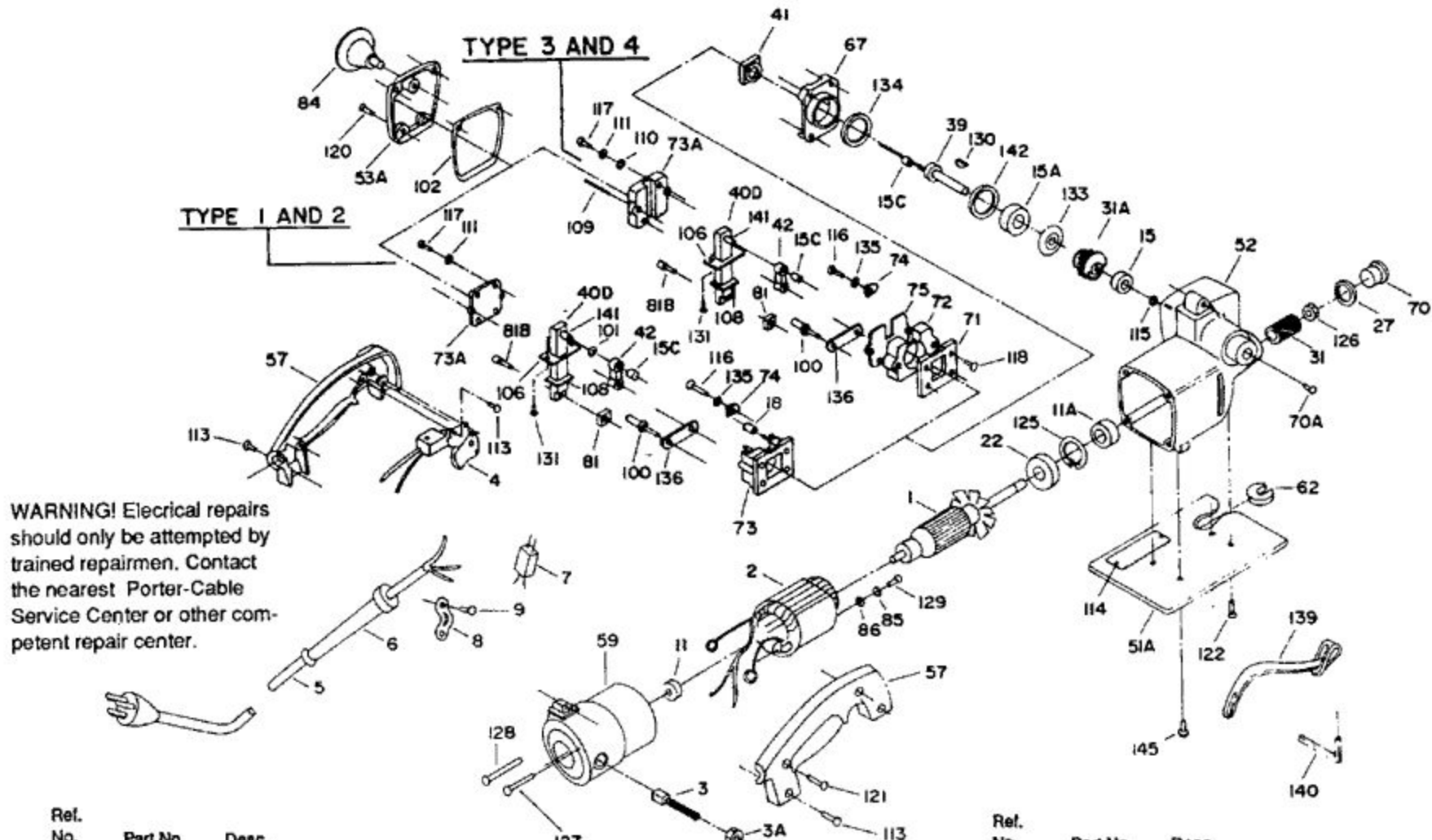


# PORTER-CABLE BAYONET SAW

# 8548



**WARNING!** Electrical repairs should only be attempted by trained repairmen. Contact the nearest Porter-Cable Service Center or other competent repair center.

Ref. No.	Part No.	Desc.	Ref. No.	Part No.	Desc.	
1	862788	Armature 220V	103	801709	Saddle Cover Plate T1, T2	
2	862789	Field 220V	106	801712	Dust Seal Retainer	
3	862887	Brush	108	801714	Dust Seal	
3A	862886	Brush Cap	109	857519	Roll Pin, T3, T4	
4	862888	Switch	110	802995	Washer, T3, T4	
5	862891	Cord	111	802407	Washer	
6	862892	Strain Reliever	113 n	694438	Screw	
7	862889	Capacitor	114	801374	Spec. Plate Screw	
8	862897	Cord Clamp	115	802203	Drive Shaft Ring	
9	802339	Cord Clamp Screw	116	844736	Retainer Upper Screw	
11	862895	Commutator End Bearing	117	866311	Screw, T3, T4	
11A	855289	Fan End Bearing		802345	Screw, T1, T2	
15	693441**	Bearing	118	839179	Screw	
15A n	874067	Shaft Outer Bearing	120	802753	Screw	
15C	803873	Link Bearing	121	857517	Handle Screw	
18	803875	Holder Bearing T1, T2	122	849819	Base Screw	
22	802947	Shaft Seal	125	802942	Arm. Fan Bearing Ring	
27	801706	Plug Gasket	126	802943	Worm Nut	
31	839050	Worm	127	802944	Endshield Short Screw	
31A	801729	Worm Gear	128	802945	Endshield Long Screw	
39	801696	Drive Shaft	129	862896	Field Screw	
40D	801705	Holder & Pin Assembly Incl: Ref. 141	130	802951	Drive Shaft Key	
41	801691	Drive Block	131	694297	Self-Tapping Screw	
42	801692	Drive Link	133	801721	Grease Slinger	
51A	695945	Base, T4	134	855298	O-Ring	
	801707	Base, Except T4	135	802430	Lock Washer	
52	696621	Housing, T4	136	801723	Lower Retainer	
	862898	Housing, Except T4	139	856510	Wrench Holder	
53A	801704	Housing Cover	140	48245	Blade Screw Wrench	
57	851342	Handle Set	141	801710	Pin	
59	862894	Housing Endshield	142	855298	Inner O-Ring	
62	48366	Base Insert	145	802289	Screw, T4	
67	855128	Retainer	*	695726	Kit for Converting T1 & T2 to T3	
70	842756	Housing Plug	*	863739	Armature Fan	
70A	801381	Access Plug	*	803106	Field Lead	
71	801690	Slide	*	18696	Carrying Case	
72	693049	Block, T3, T4	*	803442	Gear Oil, 5 1/2 oz.	
73	838581	Saddle-Slide Assembly T1, T2	*	803443	Gear Oil, 1 gal.	
73A	692890	Bearing Block, T3, T4	*	n	875914	Mechanism Lub, 5 1/2 oz.
	801694	Saddle Cover, T1, T2	*	n	875667	Mechanism Lub, 5 lbs.
74	801722	Retainer				
75	694191	Wear Plate, T3, T4				
81	801702	Blade Nut				
81B	861949	Blade Screw				
84	839279	Knob				
85	802648	Lock Washer				
86	801541	Washer/Spacer				
100	801699	Stud				
101	801700	Link Spacer, T1, T2				
102	801701	Cover Gasket				