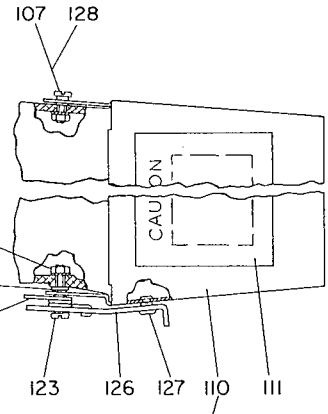
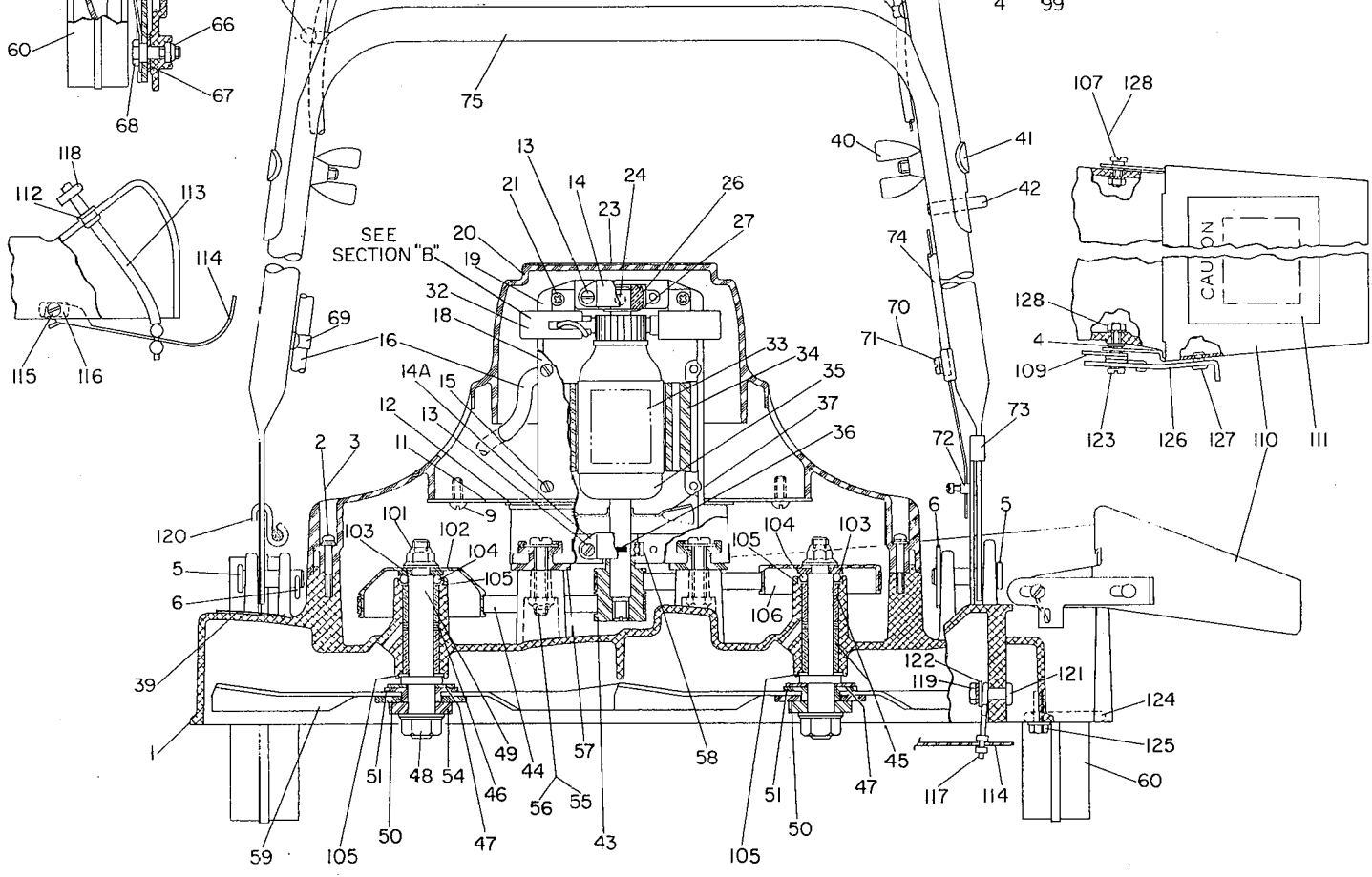
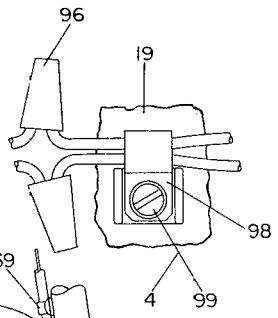


IMPORTANT NOTE RELATIVE POSITION OF REAR SHIELD & FRONT SHIELD TO "BLACK & DECKER" ON DECK.



Parts List for 8021 Type 10

Item Number	Part Number	Description	Qty Required
1	000000-00	No Longer Available	1
2	000000-00	No Longer Available	1
3	000000-00	No Longer Available	1
4	099361-10	WASHER	9
5	000000-00	No Longer Available	1
6	000000-00	No Longer Available	1
9	000000-00	No Longer Available	4
11	000000-00	No Longer Available	1
12	000000-00	No Longer Available	1
13	000000-00	No Longer Available	1
14	000000-00	No Longer Available	1
15	000000-00	No Longer Available	1
16	000000-00	No Longer Available	1
18	000000-00	No Longer Available	1
19	000000-00	No Longer Available	1
20	000000-00	No Longer Available	1
21	000000-00	No Longer Available	1
23	000000-00	No Longer Available	1
24	000000-00	No Longer Available	1
26	000000-00	No Longer Available	1
27	000000-00	No Longer Available	1
29	62450-01	BRUSH	4
30	000000-00	No Longer Available	1
31	000000-00	No Longer Available	1
32	000000-00	No Longer Available	1
33	000000-00	No Longer Available	1
34	000000-00	No Longer Available	1

Parts List for 8021 Type 10

Item Number	Part Number	Description	Qty Required
35	000000-00	No Longer Available	1
36	55050-00	PLUG	1
37	000000-00	No Longer Available	1
39	000000-00	No Longer Available	1
40	090914-00	WING NUT	2
41	241947-00	SCREW,CURVED HD	2
42	000000-00	No Longer Available	1
43	000000-00	No Longer Available	1
44	62398-00	BELT /1/	1
45	000000-00	No Longer Available	4
46	000000-00	No Longer Available	1
47	000000-00	No Longer Available	1
48	90561895	HEX NUT	2
49	000000-00	No Longer Available	1
50	000000-00	No Longer Available	1
51	000000-00	No Longer Available	1
54	092715-00	SPACER	2
55	000000-00	No Longer Available	1
56	000000-00	No Longer Available	1
57	000000-00	No Longer Available	1
58	330003-08	BEARING,BALL	1
59	000000-00	No Longer Available	1
60	242404-00	WHEEL,6 INCH	4
61	000000-00	No Longer Available	1
63	000000-00	No Longer Available	1
64	000000-00	No Longer Available	1
65	000000-00	No Longer Available	1

Parts List for 8021 Type 10

Item Number	Part Number	Description	Qty Required
66	000000-00	No Longer Available	1
67	062487-00	WASHER	4
68	000000-00	No Longer Available	1
69	239715-06	WRAP,TIE	3
70	000000-00	No Longer Available	1
71	418-00	WASHER	1
72	000000-00	No Longer Available	1
73	000000-00	No Longer Available	1
74	000000-00	No Longer Available	1
75	000000-00	No Longer Available	1
76	000000-00	No Longer Available	1
77	000000-00	No Longer Available	1
79	000000-00	No Longer Available	1
80	000000-00	No Longer Available	1
81	000000-00	No Longer Available	1
82	000000-00	No Longer Available	4
83	406-00	NUT	4
84	000000-00	No Longer Available	1
85	000000-00	No Longer Available	1
86	000000-00	No Longer Available	1
87	9112-00	NUT	2
88	000000-00	No Longer Available	1
89	000000-00	No Longer Available	1
90	000000-00	No Longer Available	1
91	234900-02	PLUG 120V 2WIRE	1
93	000000-00	No Longer Available	1
94	000000-00	No Longer Available	1

Parts List for 8021 Type 10

Item Number	Part Number	Description	Qty Required
96	46629-01	CONNECTOR	2
97	000000-00	No Longer Available	1
98	000000-00	No Longer Available	1
99	000000-00	No Longer Available	1
101	000000-00	No Longer Available	1
102	000000-00	No Longer Available	1
103	000000-00	No Longer Available	1
104	000000-00	No Longer Available	1
105	000000-00	No Longer Available	1
106	000000-00	No Longer Available	1
107	000000-00	No Longer Available	1
109	000000-00	No Longer Available	1
110	000000-00	No Longer Available	1
111	000000-00	No Longer Available	1
112	000000-00	No Longer Available	1
113	000000-00	No Longer Available	1
114	000000-00	No Longer Available	1
115	000000-00	No Longer Available	1
116	000000-00	No Longer Available	1
117	000000-00	No Longer Available	1
118	000000-00	No Longer Available	1
119	86492-00	NUT	1
120	000000-00	No Longer Available	1
121	000000-00	No Longer Available	1
122	488807-00	FLAT WASHER	1
123	000000-00	No Longer Available	1
124	000000-00	No Longer Available	1

Parts List for 8021 Type 10

Item Number	Part Number	Description	Qty Required
125	000000-00	No Longer Available	1
126	000000-00	No Longer Available	1
127	000000-00	No Longer Available	1
128	000000-00	No Longer Available	1
214	000000-00	No Longer Available	1
314	000000-00	No Longer Available	1