

**Type:** GRIT GHB 15-50 Inox  
**Part no.:** 79030209124

<b>Item</b>	<b>Part no.</b>	<b>Designation</b>	<b>Quantity</b>
10	31901175000	Motor housing	1
20	51279004110	Stator 50Hz110V	1
25	32119124010	anti-vibration handle	1
28	39000008117	Handle	1
30	30701299000	Switch	1
35	39000004750	Handle	1
40	30762534990	Speed setting switch 50/60H,100-120V	1
42	39000001067	Eye guard	1
50	32816080000	Control rod	1
55	39000004758	Gas compression spring	1
60	32805306000	Slide switch	1
65	39000001395	Flange	1
66	43009004049	Set screw M4X4	2
75	39000005654	Screw	3
85	39000006396	Screw	2
92	39000006388	Screw	8
95	30712096040	Brush holder Set 100-120V, 50/60Hz	2
100	30711160000	Carbon brush 110-120V, 50/60Hz	2
105	39000006389	Screw	6
112	39000000449	Screw	1
115	32427153010	Cover OT	1
120	32431047000	Cable clamping piece	1
125	39000000434	Screw	1
130	31413282000	Cable grommet	1

**Type:** GRIT GHB 15-50 Inox  
**Part no.:** 79030209124

<b>Item</b>	<b>Part no.</b>	<b>Designation</b>	<b>Quantity</b>
135	39000006390	Screw	4
140	30707489010	Cable with plug N09 60Hz120V	1
145	39000008064	Plate	1
150	32431043002	Cable clamping piece	1
155	39000008090	Spacer sleeve	1
165	39000008089	Cover	1
170	43072000000	Screw	5
175	39000008088	Bolt	1
180	31428179000	Air guide ring	1
185	39000008087	Holder	1
190	30764169000	Choke	1
195	39000008086	Holder	1
200	39000008085	Holder	1
210	39000001075	Drive wheel	1
220	39000001071	Contact wheel	1
230	39000008084	Spacer sleeve	8
240	39000008083	Plate	1
260	39000008065	Support	1
270	39000008074	Flange	1
280	39000008080	Spacer sleeve	5
290	39000008079	Tensioning arm	1
300	39000008077	Block	1
310	39000005826	Handle	1
320	39000000047	Nut	1

**Type:** GRIT GHB 15-50 Inox  
**Part no.:** 79030209124

<b>Item</b>	<b>Part no.</b>	<b>Designation</b>	<b>Quantity</b>
330	39000005955	Nut	4
340	39000000166	Nut	1
350	39000006397	Nut	4
370	39000006391	Bolt	2
380	39000006392	Bolt	3
390	39000006393	Screw	12
405	31206147030	Gearbox housing	1
408	39000006394	Screw	2
410	41705019001	Needle sleeve	1
420	30217335005	Bolt	1
430	40612137008	Sealing ring	1
435	39000000705	Screw	2
440	30901357005	Spiral spring	1
450	32805200008	Pushbutton	1
455	39000008068	Tensioning arm	1
460	32419152000	Bearing plate	1
465	39000008069	Plate	1
470	41701010054	Grooved ball bearing	1
475	39000006388	Screw	2
480	33406325000	Shaft	1
485	39000008070	Holder	1
490	32416116000	Plate	1
505	33809247010	Bevel gear z=9/44	1
510	32624123020	Washer	1

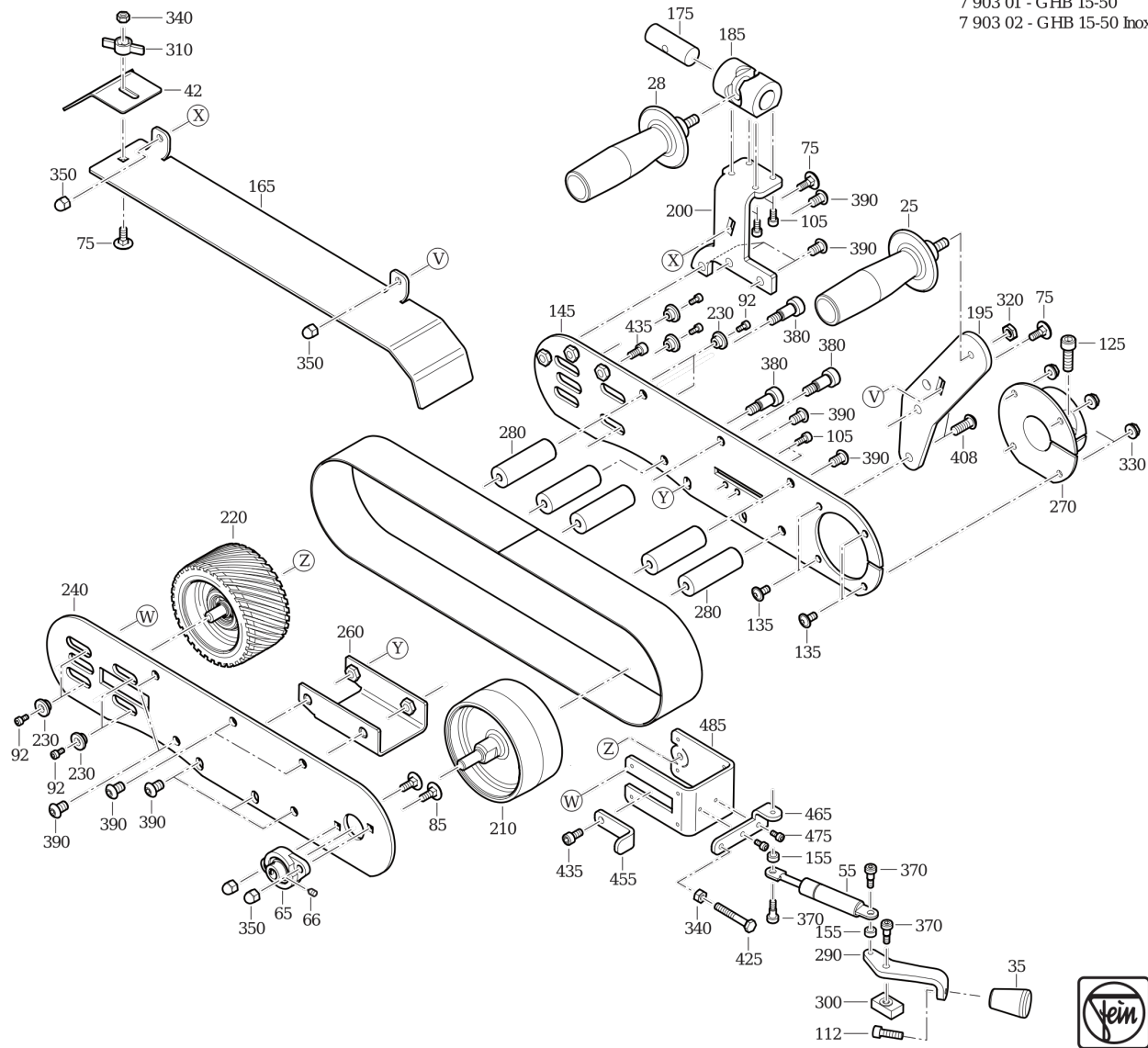
**Type:** GRIT GHB 15-50 Inox  
**Part no.:** 79030209124

<b>Item</b>	<b>Part no.</b>	<b>Designation</b>	<b>Quantity</b>
520	43064024043	Screw	4
560	31428180000	Air guide ring	1
700	53279001360	Armature 60Hz120V	1
710	41701001260	Grooved ball bearing	1
720	30507236000	Bearing bush	1
730	32172014010	Magnet	1
740	32416117000	Plate	1
750	41701207260	Grooved ball bearing	1
770	43074012000	Screw	4
2500	32217517000	RFID Transponder VE1	1
6000	32160003014	Lubricant tube 0,085 kg	1

Type:  
Part no.:

GRIT GHB 15-50 Inox  
79030209124

7 903 01 - GHB 15-50  
7 903 02 - GHB 15-50 Inox



Type:  
Part no.:

GRIT GHB 15-50 Inox  
79030209124

