

**Type:** GRIT GIL  
**Part no.:** 79024809573

<b>Item</b>	<b>Part no.</b>	<b>Designation</b>	<b>Quantity</b>
420	39000000922	Screw	3
430	39000000090	Disc	2
440	39000000061	Nut	7
450	39000000083	Screw	1
460	39000001052	Arrow heigt adjustment GIL	1
470	39000000704	Screw	2
480	39000004745	Plate	1
490	39000004855	Housing	1
500	39000001061	Bearing D20	1
510	39000000678	Screw	4
520	39000000554	Brake wheel	1
530	39000000529	Screw	4
540	39000004268	Disc	2
550	39000001064	Spring washer D6	1
590	39000001319	Screw	1
600	39000000614	Feather key	1
610	39000000606	Flange	1
615	39000004523	Sealing rings VE 2	4
620	39000004743	Slider	1
630	39000000055	Gas compression spring	1
640	39000000723	Screw	1
650	39000004744	Slider	1
660	39000000199	Disc	2
670	39000000099	Screw	2

**Type:** GRIT GIL  
**Part no.:** 79024809573

<b>Item</b>	<b>Part no.</b>	<b>Designation</b>	<b>Quantity</b>
680	39000004739	Spacer sleeve	1
690	39000004856	Nut	1
700	39000001612	Screw	1
710	39000006386	Handle	1
1010	39000000940	Adjustment unit	1
1020	39000000147	Screw	2
1030	39000000148	Disc	10
1040	39000000047	Nut	9
1050	39000000916	Disc für Kontaktscheibe GIL	1
1055	39000001927	Contact wheel	1
1070	39000001050	Fixture for contact wheel GIL	1
1080	39000000040	Flat headed screw	1
1090	39000000145	Bolt M8X35	4
1100	39000001137	Countersunk screw	1
1110	39000001059	Shaft	2
1120	39000000193	Screw	4
1140	39000001058	Spacer sleeve	4
1150	39000004733	Cover	1
1160	39000001066	Handle M10X60	4
1170	39000001063	Screw	3
1180	39000000459	Nut	2
1200	39000000428	Handle M10X20	2
1205	39000000475	Crank	1
1210	39000004649	Cover	1

**Type:** GRIT GIL  
**Part no.:** 79024809573

<b>Item</b>	<b>Part no.</b>	<b>Designation</b>	<b>Quantity</b>
1220	39000004652	Guide pillar	1
1230	39000004651	Bush	2
1240	39000004732	Shaft	2
1250	39000000928	Contact wheel	1
1260	39000004734	Housing	1
1265	39000001598	Fitting	1
1290	39000000087	Locking bar	2
1300	39000006362	Disc	2
1310	39000000435	Disc	5
1320	39000000595	Screw	12
1340	39000000931	Screw	6
1360	39000000111	Screw	2
1370	39000000933	Support	1
1380	39000000934	Support	1
1390	39000000935	Sliding block	6
1410	39000004650	Slider	1
1420	39000000194	Nut	4
1430	39000000941	Spacer sleeve	1
1440	39000000427	Set screw	1
1460	39000001057	Roller	1
1470	39000003304	Thread spindle	1
1480	39000000474	Handle M8X20	1
2240	39000001065	Gearbox	1
2250	39000000638	Motor 0,18kW/1320 RPM 3x575V	1

**Type:** GRIT GIL  
**Part no.:** 79024809573

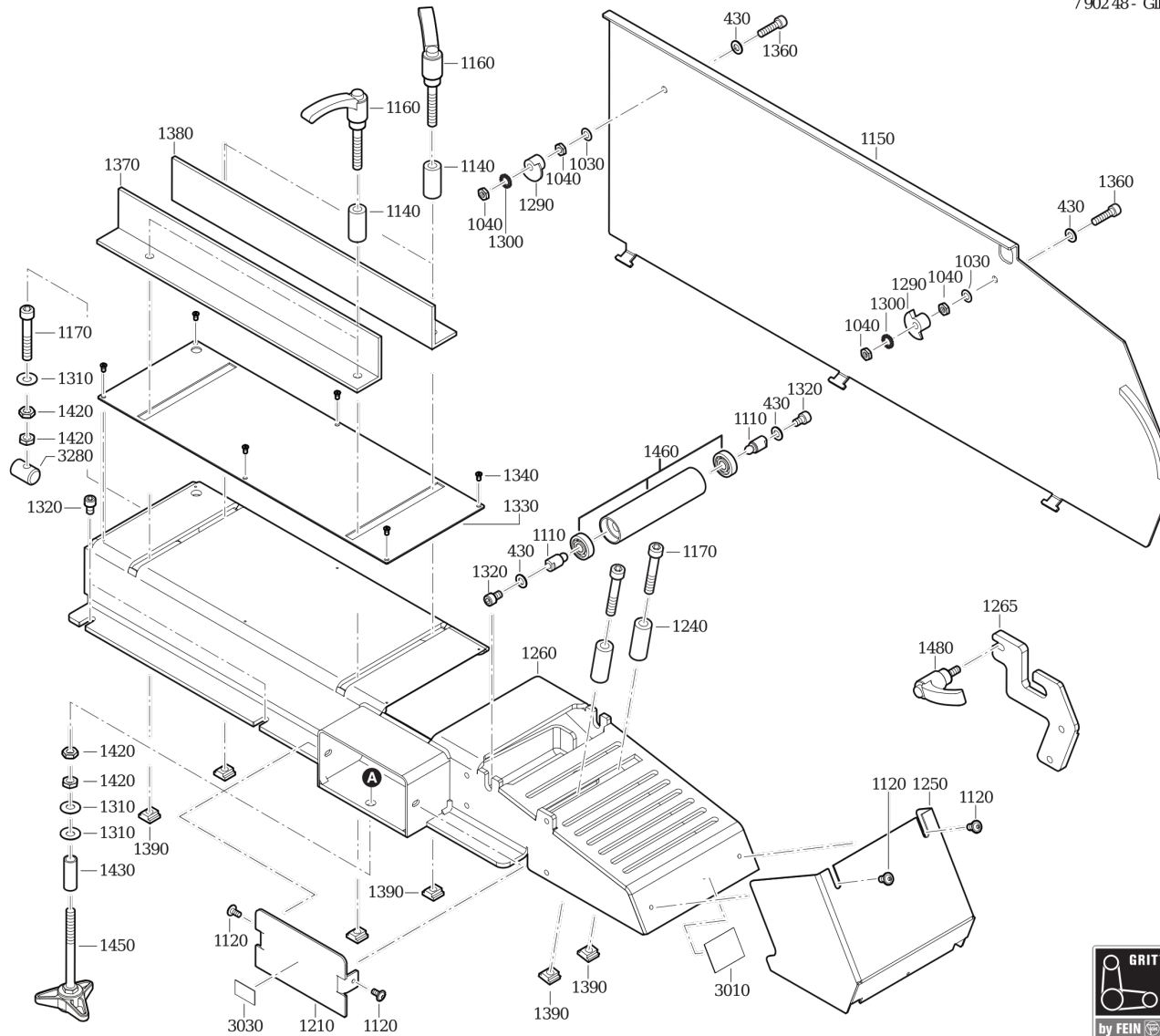
---

<b>Item</b>	<b>Part no.</b>	<b>Designation</b>	<b>Quantity</b>
2260	39000001649	Switch	1
2280	39000000449	Screw	4
2290	390000000041	Screw	12
3000	39000006088	Sign mit schwarzer Pfeil	1
3010	39000006435	Sign	2
3020	39000006139	Sign Warn-Schild für GIL	1
3030	39000006140	Sign just. Kont.scheibe GIL	1
3040	39000006440	Sign	1
3060	32217406002	Sticker	1
3280	39000000918	Spacer	1

Type:  
Part no.:

GRIT GIL  
79024809573

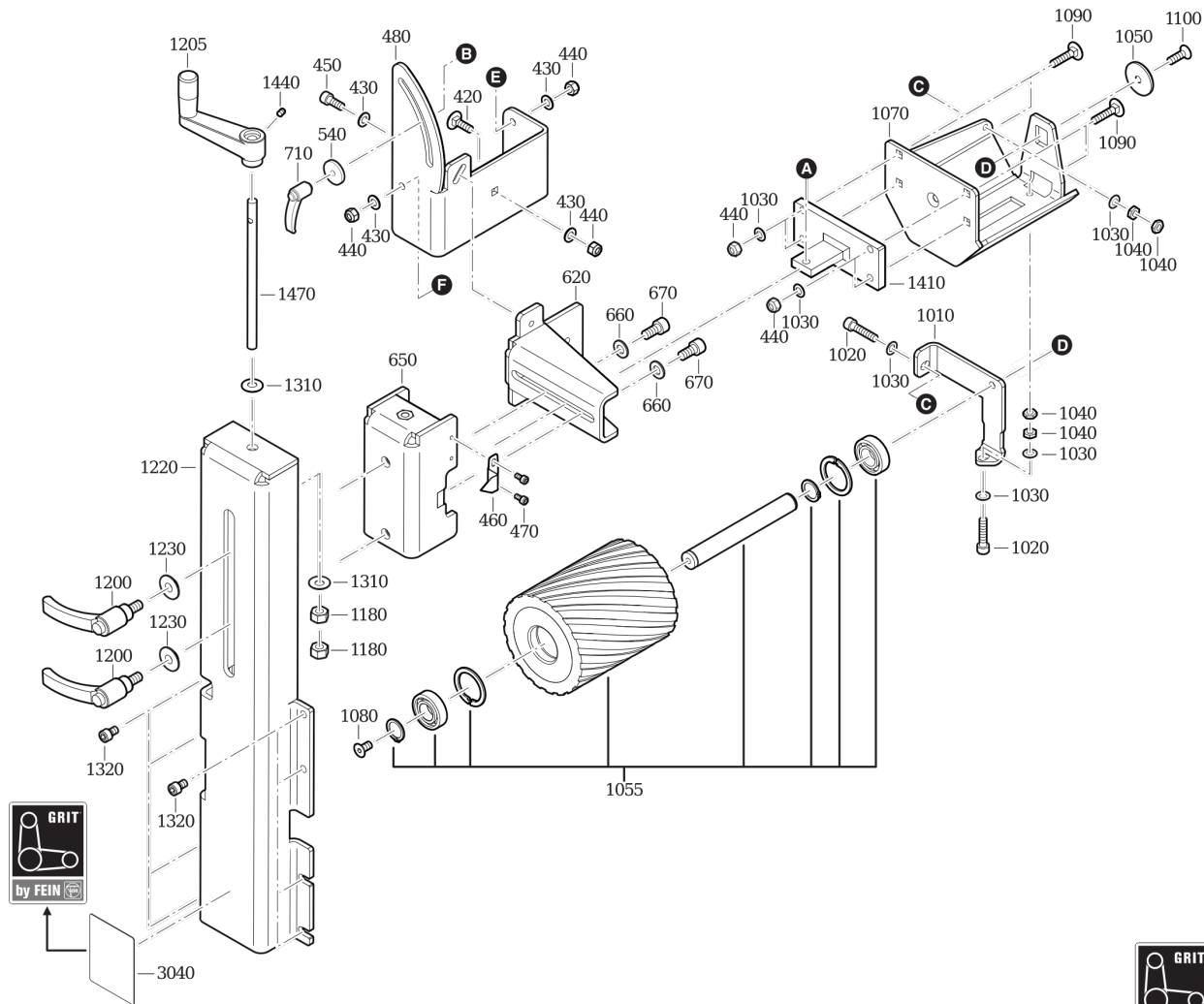
790248- GIL



Type:  
Part no.:

GRIT GIL  
79024809573

790248- GIL



Type:  
Part no.:

GRIT GIL  
79024809573

790248- GIL

