

Type: GRIT GXC
Part no.: 79012309573

Item	Part no.	Designation	Quantity
10	39000000638	Motor 0,18kW/1320 RPM 3x575V	1
13	39000000622	Blade	1
16	39000000621	Hood	1
20	39000001198	Switch	1
30	39000001210	Socket	1
60	39000000602	Plate	1
70	39000000603	Plate	1
100	39000000008 ↓ 39000001002	Brake wheel	1
120	39000000071	Circlip	1
130	39000000432	Screw	1
140	39000000167	Fitting	1
150	39000000090	Disc	14
160	39000000623	Screw	4
170	39000000601	Adjustment unit	1
180	39000000477	Gearbox 1/20	1
190	39000000097	Handle	2
200	39000000606	Flange	1
240	39000000608	Spring	1
250	39000000609	Pipe	2
260	39000000610	Spring	1
270	39000000242	Disc	2
280	39000000611	Adjustment unit	1
290	39000000502	Thread spindle	1

Type: GRIT GXC
Part no.: 79012309573

Item	Part no.	Designation	Quantity
300	39000000475	Crank	1
310	39000000613	Stop	1
330	39000000528	Nut	1
340	39000000628	Screw	1
350	39000000063	Nut	1
360	39000000629	Screw	1
370	39000000089	Cup spring 8,2x0,9 mm	1
380	39000000061	Nut	2
390	39000000630	Screw	2
400	39000000631	Screw	1
410	39000000199	Disc	1
450	39000000164	Screw	2
490	39000000616	Holder	1
500	39000000633	Screw	2
520	39000000617	Cover	1
530	39000000474	Handle M8X20	2
540	39000000619	Screw connection M16	1
550	39000000636	Screw	2
570	39000000153	Bolt M8x45	2
580	39000000637	Nut	1
610	39000000497	Nylon glide support	1
610	39000000496	Guide rail, brass	1
640	39000000449	Screw	4
650	39000006197	Screw	4

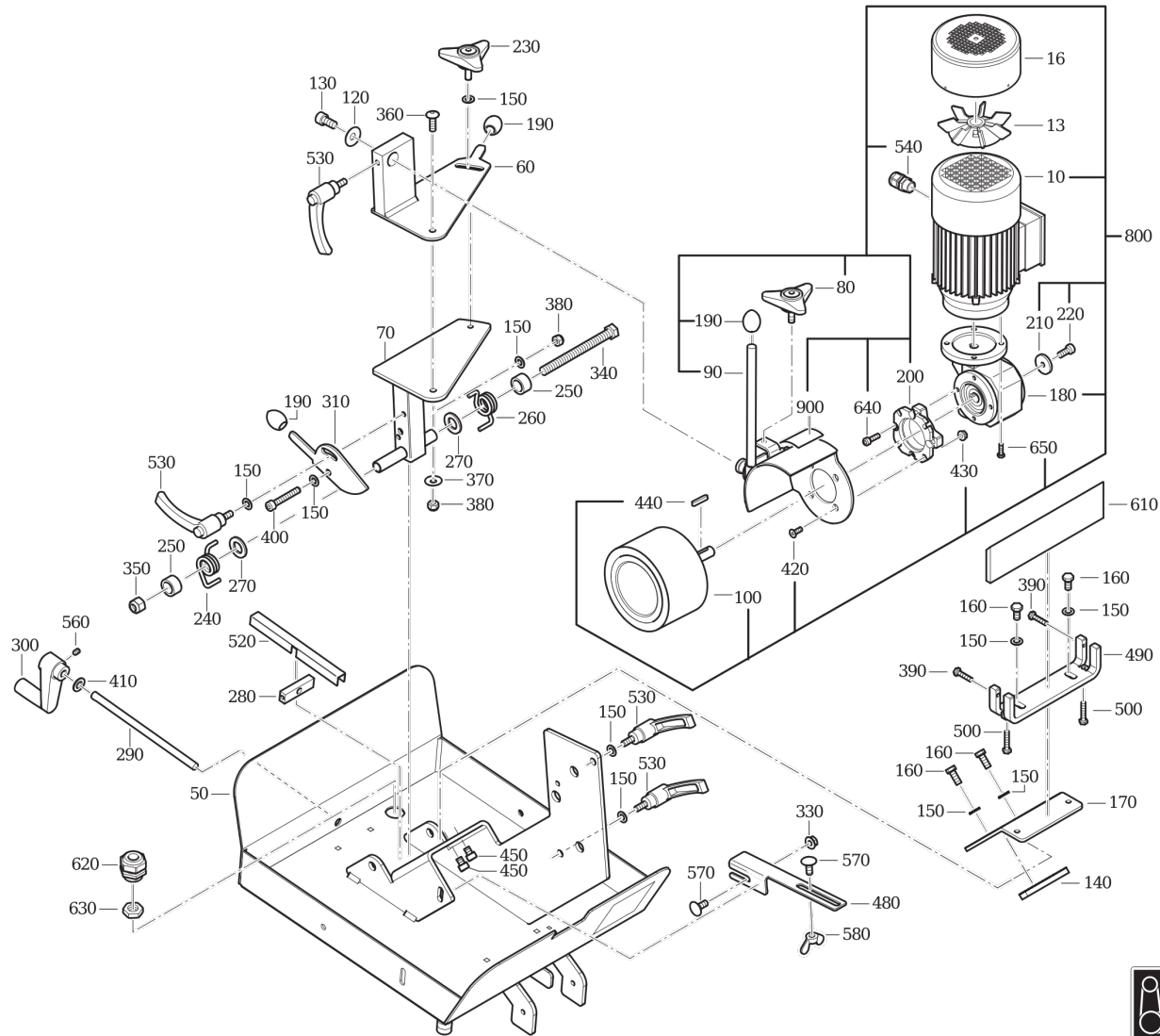
Type: GRIT GXC
Part no.: 79012309573

Item	Part no.	Designation	Quantity
800	39000004433	Motor Set	1
900	39000006100	Sign	1

Type:
Part no.:

GRIT GXC
79012309573

7 901 23 - GXC



Type:
Part no.:

GRIT GXC
79012309573

7 901 23 - GXC

