

Type: GX 75 2H 2V
Part no.: 79010200233

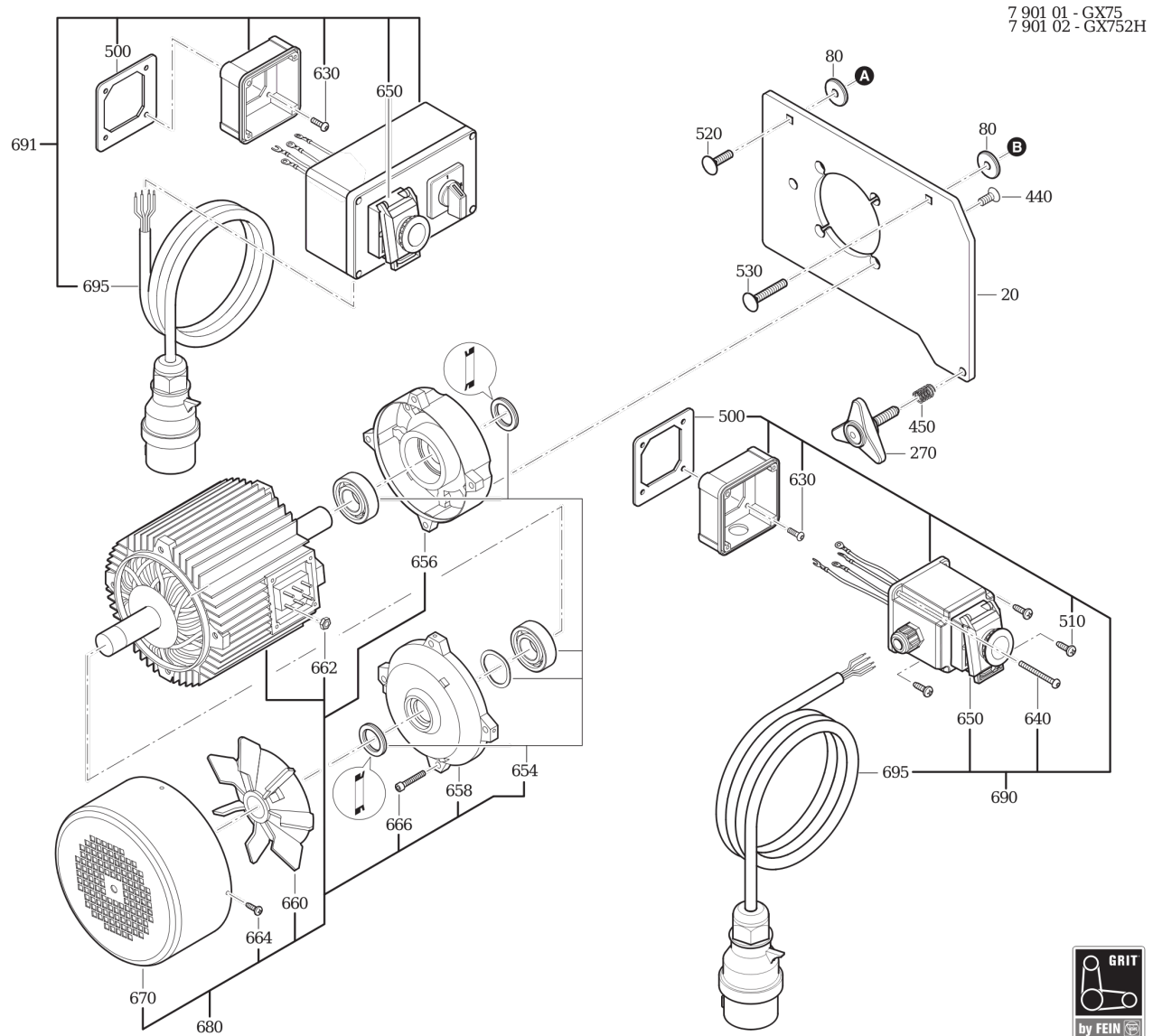
Item	Part no.	Designation	Quantity
10	39000001006	Contact wheel	1
15	39000001459	Shaft	1
30	39000001104	Drive wheel	1
90	39000005129	Eye guard	1
100	39000000085	Handle M8	1
110	39000000484	Gas compression spring	1
130	39000000520	Handle	1
150	39000000521	Workpiece support	1
160	39000000090	Disc	3
170	39000000171	Handle M8X30	1
220	39000000528	Nut	13
270	39000000498	Handle	1
280	39000000527	Screw	1
300	39000005826	Handle	2
310	39000000529	Screw	2
370	39000004660	Spark box	1
380	39000000531	Plate	1
390	39000000533	Plate	1
400	39000000199	Disc	2
410	39000000062	Nut	1
420	39000000474	Handle M8X20	2
430	39000000151	Screw	12
550	39000000534	Screw	1
590	39000000532	Plate	1

Type: GX 75 2H 2V
Part no.: 79010200233

Item	Part no.	Designation	Quantity
600	39000000543	Plate	1
650	39000000479	Flap switch	1
654	39000004494	Service kit	1
656	39000001563	Flange B14	1
658	39000001699	Cover 3 KW	1
660	39000000491	Blade	1
662	39000000720	Nut	3
664	43041040048	Fillister head screw	4
666	39000000444	Screw M6X30	4
670	39000000211	Hood MA 90	1
680	39000001094	Motor 1,5/2,0KW 3x230V	1
690	39000000495	Switch GX752V2H 3x230V 50/60Hz	1
830	39000006105	Sign	1

Type:
Part no.:

GX 75 2H 2V
79010200233



Type:
Part no.:

GX 75 2H 2V
79010200233

7 901 01 - GX75
7 901 02 - GX752H

