

Type:
Part no.:

MSf 843-1c (300Hz,200V)
78208509260



Item	Part no.	Designation	Quantity	Price RPR excl. VAT (USD)	AT
0010	31903178003	Motor housing	1	on req.	-
0015	52831005160	Motor housing with stator	1	on req.	-
0020	30605076004	Sealing ring	2	on req.	-
0030	51831005160	Stator 300Hz200V	1	on req.	-
0040	42443003043	Circlip M4	2	on req.	-
0050	43035003043	Cylinder head screw M4X6	2	on req.	-
0060	31415032009	Plug	1	on req.	-
0390	31428065017	Air guide ring	1	on req.	-
0391	40612049000	Sealing ring	1	on req.	-
0400	33502050017	Rotor	1	on req.	-
0410	41701204026	Grooved ball bearing	1	on req.	-
0420	30905039001	Cup spring	2	on req.	-
0480	42443004057	Circlip M5	8	on req.	-
0490	43035018055	Cylinder head screw M5X25	4	on req.	-
0500	43003029048	Flat headed screw M4X6	1	on req.	-
0510	42404005048	Disc	1	on req.	-
0520	42439013046	Lock washer	1	on req.	-
0530	31408056000	Insulation board	1	on req.	-
0540	31406033009	Insulating ring	1	on req.	-
0550	43035020051	Cylinder head screw M5X35	4	on req.	-
0600	31206094003	Gearbox housing	1	on req.	-
0610	41705026004	Needle sleeve	1	on req.	-
0620	32416086004	Plate	1	on req.	-
0630	32602079006	Ring	1	on req.	-
0640	30602014004	Sealing ring	2	on req.	-
0650	40612038007	Sealing ring	1	on req.	-
0660	41701210224	Grooved ball bearing	1	on req.	-
0670	32624085021	Disc 85X0,1	1	on req.	-
0671	32408019006	Disc	1	on req.	-
0685	33809189010	Bevel gear	1	on req.	-
0690	32601251001	Ring	1	on req.	-
0700	42019002069	Nut	1	on req.	-
0710	43035004041	Cylinder head screw M4X8	5	on req.	-
0711	40611007008	Sealing ring	3	on req.	-
0760	41701010054	Grooved ball bearing	1	on req.	-
0770	32416087008	Plate	1	on req.	-
0780	33406222003	Shaft	1	on req.	-
0800	40612049000	Sealing ring	1	on req.	-
0810	32624110029	Disc	1	on req.	-
0810	32624110035	Disc	1	on req.	-
0820	42443003043	Circlip M4	4	on req.	-
0830	43035076041	Cylinder head screw M4X16	4	on req.	-
0920	31204179010	Handle half shell	1	on req.	-
0930	30701273010	Switch	1	on req.	-
0940	43041035047	Fillister head screw	2	on req.	-
0950	31324121000	Seal	1	on req.	-
0960	32431042008	Cable clamping piece	1	on req.	-
0970	43070035002	Screw	1	on req.	-
0980	31324123000	Housing	1	on req.	-

Type:
Part no.:

MSf 843-1c (300Hz,200V)
78208509260

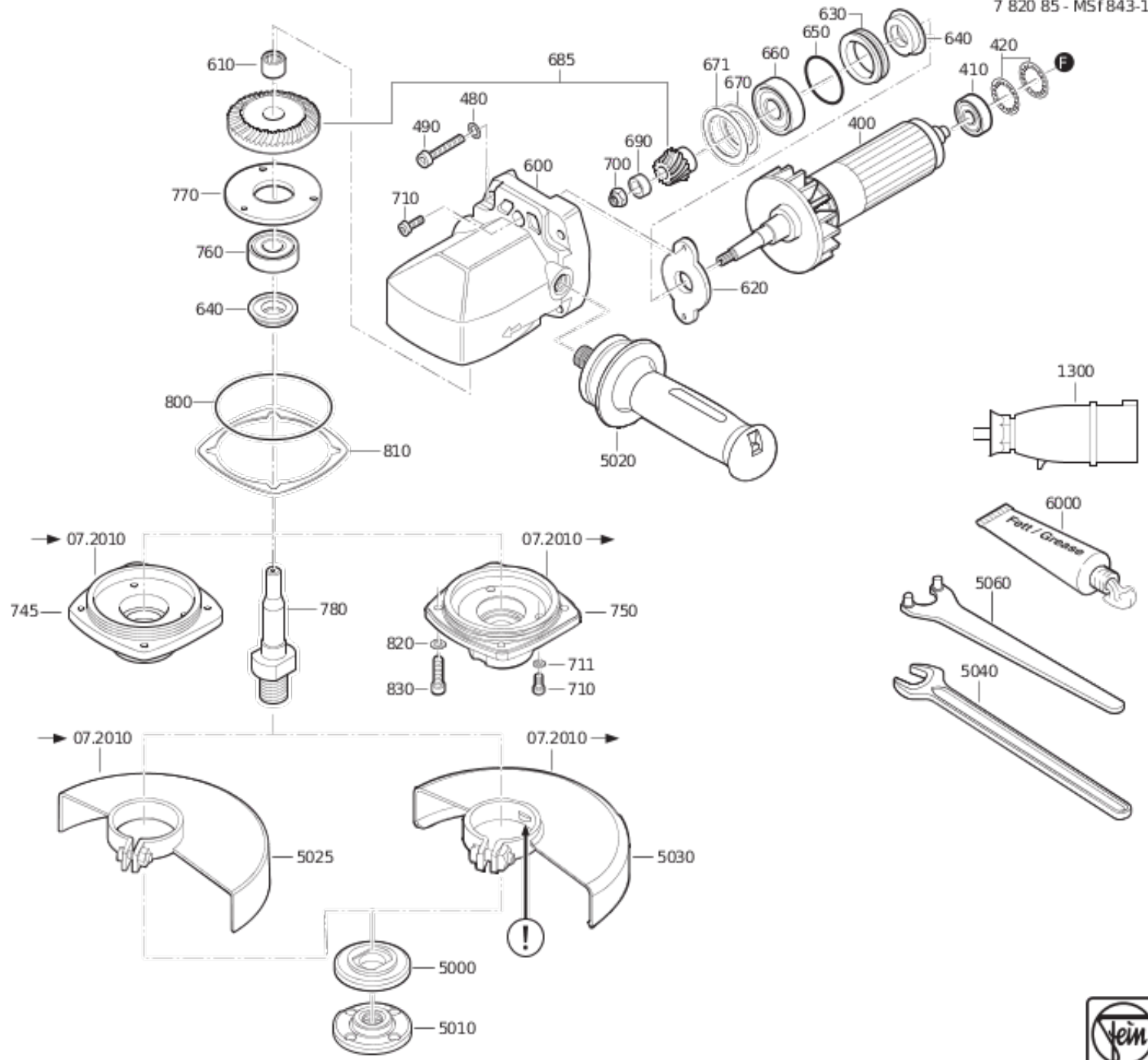


Item	Part no.	Designation	Quantity	Price RPR excl. VAT (USD)	AT
0990	31412063000	Terminal	2	on req.	-
1000	30719640010	Connecting cable	1	on req.	-
1010	30605042008	Plate	1	on req.	-
1020	30706337010	Cable	1	on req.	-
1030	31413094007	Cable grommet	1	on req.	-
1040	31204180000	Handle half shell	1	on req.	-
1050	43070031003	Screw	3	on req.	-
1055	43070038007	Screw	1	on req.	-
2000	32217435060	Information sign	1	on req.	-
5000	63801095008	Inner flange	1	on req.	-
5010	63802098007	Threaded flange	1	on req.	-
5020	32119118013	anti-vibration handle	1	on req.	-
5030	31810278020	Safety hood	1	on req.	-
5040	62903002009	Jaw spanner SW17	1	on req.	-
5060	62910022002	Bidirectional nut spanner	1	on req.	-
6000	32160003135	Lubricant tube 0,085 kg	1	on req.	-
9000	34101066060	Operating instructions	1	on req.	-
9010	34151066080	List of spare parts MSf843-1c	1	on req.	-
9020	34130054061	Safety instruction	1	on req.	-

Type:
Part no.:

MSf 843-1c (300Hz,200V)
78208509260

7 820 85 - MSf843-1c



Type:
Part no.:

MSf 843-1c (300Hz,200V)
78208509260

7 820 85 - MSf843-1c

