

Type:
Part no.:

MSfo 849-1b (300Hz,200V)
78207800260



Item	Part no.	Designation	Quantity	Price RPR excl. VAT (USD)	AT
0010	31903138007	Motor housing	1	on req.	-
0015	52818003160	Motor housing with stator	1	on req.	-
0020	51818003160	Stator	1	on req.	-
0030	31419033007	Ring	2	on req.	-
0040	30517007001	Sleeve	1	on req.	-
0050	43033007050	Cylinder head screw M5X8	2	on req.	-
0060	42443004057	Circlip M5	2	on req.	-
0105	33508044014	Rotor	1	on req.	-
0200	31206077006	Gearbox housing	1	on req.	-
0210	41701213027	Grooved ball bearing	1	on req.	-
0220	30601050002	Felt ring	1	on req.	-
0230	32408227008	Disc	1	on req.	-
0240	32416074008	Plate	1	on req.	-
0250	43002033045	Cylinder head screw M4X10	3	on req.	-
0251	42445001044	Spring washer	3	on req.	-
0260	32411059005	Disc	1	on req.	-
0275	33809148010	Bevel gear	1	on req.	-
0280	40221001009	Feather key	1	on req.	-
0290	42019002069	Nut	1	on req.	-
0300	32601224009	Ring	1	on req.	-
0310	32624091021	Disc 91X0,1	1	on req.	-
0310	32624091037	Disc RJ24-91X0,3	1	on req.	X
0320	41701020130	Grooved ball bearing	1	on req.	-
0340	33406218005	Shaft	1	on req.	-
0350	32411062009	Disc	1	on req.	-
0360	30601049000	Felt ring	1	on req.	-
0370	42639008005	Sealing ring	1	on req.	-
0380	41701222022	Grooved ball bearing	1	on req.	-
0390	32416058009	Plate	1	on req.	-
0400	43002033045	Cylinder head screw M4X10	3	on req.	-
0401	42445001044	Spring washer	3	on req.	-
0420	40223019001	Feather key	1	on req.	-
0430	42641001002	Circlip	1	on req.	-
0440	32624093028	Disc 93X0,1	1	on req.	-
0440	32624093034	Disc 93X0,3	1	on req.	-
0450	32419142010	Bearing plate	1	on req.	-
0460	43035073052	Cylinder head screw M5X16	4	on req.	-
0470	40612010006	Sealing ring	1	on req.	-
0480	42443004057	Circlip M5	4	on req.	-
0550	32602062002	Ring	1	on req.	-
0560	30517008009	Sleeve	1	on req.	-
0570	41701006028	Grooved ball bearing	1	on req.	-
0580	43035021050	Cylinder head screw M5X45	4	on req.	-
0590	43035020051	Cylinder head screw M5X35	4	on req.	-
0600	42443004057	Circlip M5	8	on req.	-
0630	43003029048	Flat headed screw M4X6	1	on req.	-
0631	42439013046	Lock washer	1	on req.	-
0632	42404005048	Disc	1	on req.	-
0640	31408056000	Insulation board	1	on req.	-

Type:
Part no.:

MSfo 849-1b (300Hz,200V)
78207800260

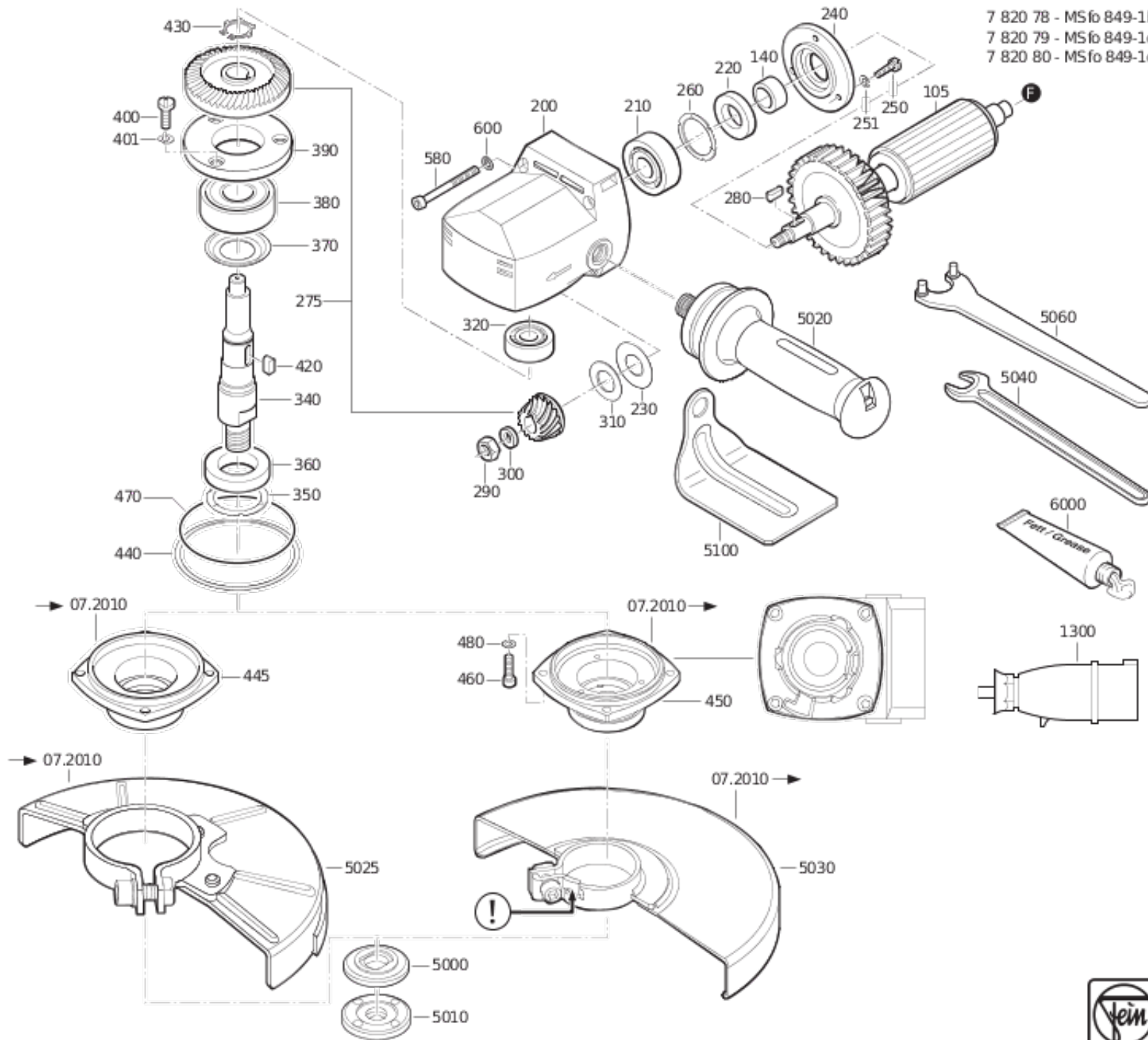


Item	Part no.	Designation	Quantity	Price RPR excl. VAT (USD)	AT
0650	31406033009	Insulating ring	1	on req.	-
0660	31415032009	Plug	1	on req.	-
0670	30905034008	Cup spring	2	on req.	-
0920	31204179010	Handle half shell	1	on req.	-
0930	30701272010	Switch	1	on req.	-
0940	43041035047	Fillister head screw	2	on req.	-
0950	31324121000	Seal	1	on req.	-
0960	32431042008	Cable clamping piece	1	on req.	-
0970	43070035002	Screw	1	on req.	-
0980	31324123000	Housing	1	on req.	-
0990	31412063000	Terminal	2	on req.	-
1000	30719640010	Connecting cable	1	on req.	-
1010	30605042008	Plate	1	on req.	-
1020	30706338010	Cable	1	on req.	-
1030	31413094007	Cable grommet	1	on req.	-
1040	31204180000	Handle half shell	1	on req.	-
1050	43070031003	Screw	3	on req.	-
1055	43070038007	Screw	1	on req.	-
5020	32119117015	anti-vibration handle	1	on req.	-
5040	62903011005	Jaw spanner SW17	1	on req.	-
5100	30229216005	Safety guard	1	on req.	-
6000	32160003135	Lubricant tube 0,085 kg	1	on req.	-
9000	34101066060	Operating instructions	1	on req.	-
9010	34151066040	List of spare parts MSfo849-1 b/c	1	on req.	-
9020	34130054061	Safety instruction	1	on req.	-

Type:
Part no.:

MSfo 849-1b (300Hz,200V)
78207800260

7 820 78 - MSfo 849-1b
7 820 79 - MSfo 849-1c
7 820 80 - MSfo 849-1c



Type:
Part no.:

MSfo 849-1b (300Hz,200V)
78207800260

7 820 78 - MSfo 849-1b
7 820 79 - MSfo 849-1c
7 820 80 - MSfo 849-1c

