

Type: MSfo 870-1d (300 HHz, 200V)
Part no.: 78207709260

Item	Part no.	Designation	Quantity
10	52832001160	Motor housing with stat 200H/135V+300H/200V	1
25	33508030020	Rotor	1
210	31206063008	Gearbox housing	1
220	41701303024	Grooved ball bearing	1
230	32411064001	Disc	1
240	30601075008	Felt ring	1
250	32436025004	Flange	1
260	43002058056	Cylinder head screw	3
261	42443004057	Circlip M5	3
270	32624029026	Disc	1
270	32624029032	Disc	1
280	40221016000	Feather key	1
295	33809133014	Bevel gear Z=25/52	1
300	30501240009	Bush	1
310	30240313000	Circlip	1
320	42019001088	Nut	1
330	41706002002	Needle bearing	1
340	42616020004	Circlip	1
350	32419145010	Bearing plate	1
360	32411066008	Disc	1
370	30601049000	Felt ring	1
380	42639008005	Sealing ring	1
390	41701224024	Grooved ball bearing	1
400	32416058009	Plate	1

Type: MSfo 870-1d (300 HHz, 200V)
Part no.: 78207709260

Item	Part no.	Designation	Quantity
410	43050002049	Cylinder head screw	3
420	33406111005	Shaft	1
430	40221030007	Feather key	1
450	42641001002	Circlip	1
460	32624068028	Disc	1
460	32624068034	Disc	1
470	40612002009	Sealing ring	1
480	43033014058	Cylinder head screw M5X25	4
490	40611001002	Sealing ring	4
610	31207061002	Housing	1
620	30501237005	Sleeve	1
630	41701213027	Grooved ball bearing	1
640	32415044006	Disc	1
641	42640011002	Sealing ring	1
650	40221003006	Feather key	1
660	31001116001	Fan wheel	1
670	42401004083	Disc	1
680	42019001088	Nut	1
690	31207060003	Housing	1
700	32427049008	Cover	1
710	43033045062	Cylinder head screw	3
720	42443005064	Circlip M6	3
730	43003035048	Flat headed screw	1
731	42439013046	Lock washer	1

Type: MSfo 870-1d (300 HHz, 200V)
Part no.: 78207709260

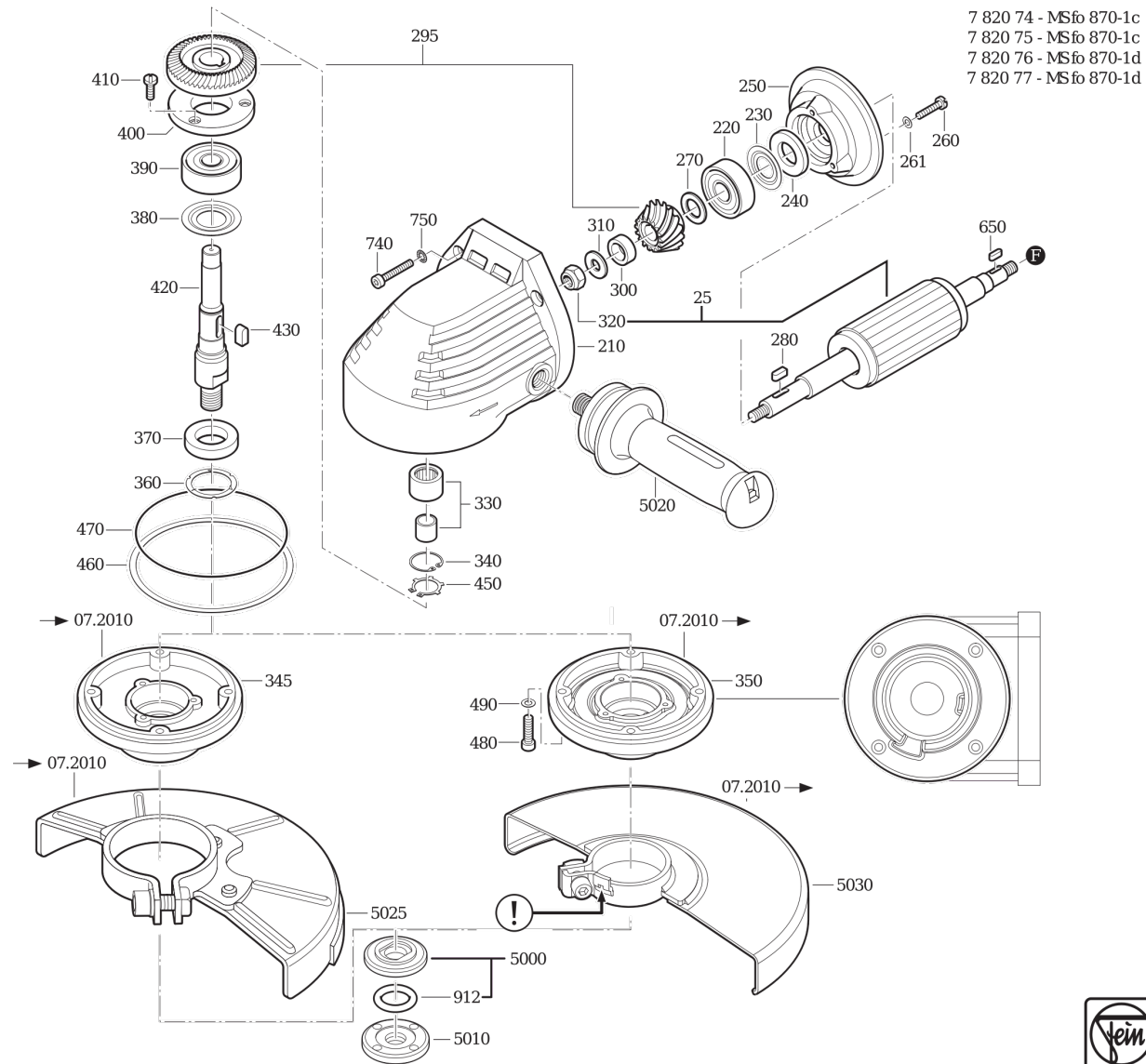
Item	Part no.	Designation	Quantity
732	42404005048	Disc	1
740	43033014058	Cylinder head screw M5X25	4
750	42443004057	Circlip M5	4
760	43033016055	Cylinder head screw	4
770	42443004057	Circlip M5	4
800	31408056000	Insulation board	1
810	31413122001	Insulating hose	1
820	30605049003	Seal	1
912	40612000007	Sealing ring	1
920	31204179010	Handle half shell	1
930	30701273010	Switch	1
940	43041035047	Fillister head screw	2
960	32431042008	Cable clamping piece	1
970	43070035002	Screw	1
980	31324123000	Housing	1
990	31412063000	Terminal	2
1000	30719640010	Connecting cable	1
1010	30605042008	Plate	1
1020	30706353010	Cable	1
1030	31413094007	Cable grommet	1
1040	31204180000	Handle half shell	1
1050	43070031003	Screw	3
1055	43070038007	Screw	1
2000	32217439060	Information sign	1

Type: MSfo 870-1d (300 HHZ, 200V)
Part no.: 78207709260

Item	Part no.	Designation	Quantity
2500	32217517000	RFID Transponder VE1	1
5000	63801183010	Inner flange	1
5010	63802098007	Threaded flange	1
5020	32119117015	anti-vibration handle	1
5030	31810269020	Safety hood	1
5040	62903011005	Jaw spanner SW17	1
5060	62910022002	Bidirectional nut spanner	1
6000	32160003135	Lubricant tube 0,085 kg	1
9020	34130054061	Safety instruction	1

Type:
Part no.:

MSfo 870-1d (300 HHz, 200V)
78207709260



Type:
Part no.:

MSfo 870-1d (300 HHz, 200V)
78207709260

