

Type:
Part no.:

MSfo 852-1c (300Hz,200V)
78207109260



| Item | Part no. | Designation | Quantity | Price RPR excl. VAT (USD) | AT |
|------|-------------|---------------------------|----------|---------------------------|----|
| 0010 | 31903098002 | Motor housing | 1 | on req. | - |
| 0030 | 51810006160 | Stator | 1 | on req. | - |
| 0030 | 52810007160 | Motor housing with stator | 1 | on req. | - |
| 0040 | 43011005051 | Set screw M5X10 | 2 | on req. | - |
| 0085 | 33502037014 | Rotor | 1 | on req. | - |
| 0200 | 31206025004 | Gearbox housing | 1 | on req. | - |
| 0210 | 41701213027 | Grooved ball bearing | 1 | on req. | - |
| 0220 | 32411058001 | Disc | 1 | on req. | - |
| 0230 | 30601050002 | Felt ring | 1 | on req. | - |
| 0240 | 32418022009 | Connecting piece | 1 | on req. | - |
| 0250 | 43050006048 | Cylinder head screw M4X16 | 3 | on req. | - |
| 0270 | 42640011002 | Sealing ring | 1 | on req. | - |
| 0280 | 32624029026 | Disc 29X0,1 | 1 | on req. | - |
| 0280 | 32624029032 | Disc 29X0,3 | 1 | on req. | - |
| 0290 | 40221016000 | Feather key | 1 | on req. | - |
| 0310 | 32601106002 | Ring | 1 | on req. | - |
| 0330 | 42404016081 | Disc | 1 | on req. | - |
| 0340 | 42019001088 | Nut | 1 | on req. | - |
| 0350 | 32419143010 | Bearing plate | 1 | on req. | - |
| 0351 | 32411062009 | Disc | 1 | on req. | - |
| 0360 | 30601049000 | Felt ring | 1 | on req. | - |
| 0370 | 42639008005 | Sealing ring | 1 | on req. | - |
| 0380 | 41701224024 | Grooved ball bearing | 1 | on req. | - |
| 0390 | 32416058009 | Plate | 1 | on req. | - |
| 0400 | 42443003043 | Circlip M4 | 3 | on req. | - |
| 0410 | 43002033045 | Cylinder head screw M4X10 | 3 | on req. | - |
| 0420 | 33406089007 | Shaft | 1 | on req. | - |
| 0430 | 40223026004 | Feather key | 1 | on req. | - |
| 0445 | 33809081013 | Bevel gear | 1 | on req. | - |
| 0450 | 42641001002 | Circlip | 1 | on req. | - |
| 0460 | 41706002002 | Needle bearing | 1 | on req. | - |
| 0470 | 42616020004 | Circlip | 1 | on req. | - |
| 0480 | 32624055024 | Disc 55X0,1 | 1 | on req. | - |
| 0480 | 32624055030 | Disc 55X0,3 | 1 | on req. | - |
| 0490 | 40612002009 | Sealing ring | 1 | on req. | - |
| 0500 | 40611001002 | Sealing ring | 4 | on req. | - |
| 0510 | 43033012056 | Cylinder head screw M5X20 | 4 | on req. | - |
| 0600 | 41701007038 | Grooved ball bearing | 1 | on req. | - |
| 0610 | 40221003006 | Feather key | 1 | on req. | - |
| 0620 | 31001085002 | Fan wheel | 1 | on req. | - |
| 0640 | 42402003067 | Disc | 1 | on req. | - |
| 0650 | 42019008060 | Nut | 1 | on req. | - |
| 0660 | 30605014003 | Seal | 1 | on req. | - |
| 0670 | 30502058000 | Sleeve | 1 | on req. | - |
| 0680 | 43003048058 | Flat headed screw M5X8 | 1 | on req. | - |
| 0690 | 31207047000 | Housing | 1 | on req. | - |
| 0700 | 43033016055 | Cylinder head screw M5X35 | 2 | on req. | - |
| 0710 | 42443004057 | Circlip M5 | 2 | on req. | - |
| 0720 | 43003032042 | Flat headed screw | 1 | on req. | - |

Type:
Part no.:

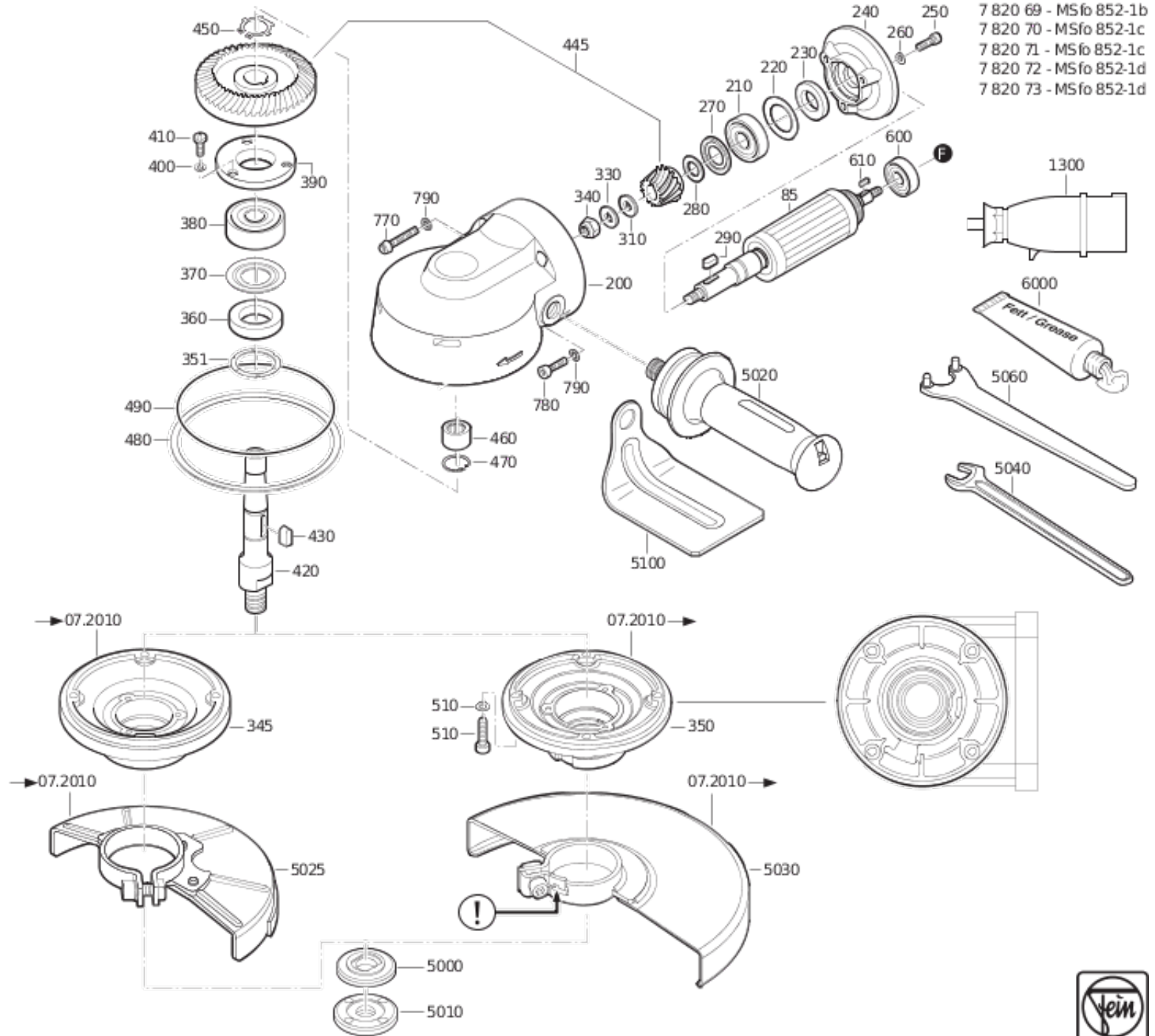
MSfo 852-1c (300Hz,200V)
78207109260



| Item | Part no. | Designation | Quantity | Price RPR excl. VAT (USD) | AT |
|------|-------------|-------------------------------------|----------|---------------------------|----|
| 0721 | 42439013046 | Lock washer | 1 | on req. | - |
| 0722 | 42404005048 | Disc | 1 | on req. | - |
| 0730 | 32427036003 | Cover | 1 | on req. | - |
| 0740 | 31408056000 | Insulation board | 1 | on req. | - |
| 0750 | 43033016055 | Cylinder head screw M5X35 | 4 | on req. | - |
| 0760 | 42443004057 | Circlip M5 | 4 | on req. | - |
| 0770 | 43033014058 | Cylinder head screw M5X25 | 2 | on req. | - |
| 0780 | 43033062051 | Cylinder head screw M5X16 | 1 | on req. | - |
| 0790 | 42443004057 | Circlip M5 | 3 | on req. | - |
| 0920 | 31204179010 | Handle half shell | 1 | on req. | - |
| 0930 | 30701273010 | Switch | 1 | on req. | - |
| 0940 | 43041035047 | Fillister head screw | 2 | on req. | - |
| 0950 | 31324121000 | Seal | 1 | on req. | - |
| 0960 | 32431042008 | Cable clamping piece | 1 | on req. | - |
| 0970 | 43070035002 | Screw | 1 | on req. | - |
| 0980 | 31324123000 | Housing | 1 | on req. | - |
| 0990 | 31412063000 | Terminal | 2 | on req. | - |
| 1000 | 30719640010 | Connecting cable | 1 | on req. | - |
| 1010 | 30605042008 | Plate | 1 | on req. | - |
| 1020 | 30706337010 | Cable | 1 | on req. | - |
| 1030 | 31413094007 | Cable grommet | 1 | on req. | - |
| 1040 | 31204180000 | Handle half shell | 1 | on req. | - |
| 1050 | 43070031003 | Screw | 3 | on req. | - |
| 1055 | 43070038007 | Screw | 1 | on req. | - |
| 5000 | 63801095008 | Inner flange | 1 | on req. | - |
| 5010 | 63802098007 | Threaded flange | 1 | on req. | - |
| 5020 | 32119117015 | anti-vibration handle | 1 | on req. | - |
| 5030 | 31810271020 | Safety hood | 1 | on req. | - |
| 5040 | 62903011005 | Jaw spanner SW17 | 1 | on req. | - |
| 5060 | 62910022002 | Bidirectional nut spanner | 1 | on req. | - |
| 5070 | 62907004005 | Allen key SW6 | 1 | on req. | - |
| 6000 | 32160003135 | Lubricant tube 0,085 kg | 1 | on req. | - |
| 9000 | 34101066060 | Operating instructions | 1 | on req. | - |
| 9010 | 34151066010 | List of spare parts MSfo852-1 b/c/d | 1 | on req. | - |
| 9020 | 34130054061 | Safety instruction | 1 | on req. | - |

Type:
Part no.:

MSfo 852-1c (300Hz,200V)
78207109260



Type:
Part no.:

MSfo 852-1c (300Hz,200V)
78207109260

7 820 69 - MSfo 852-1b
7 820 70 - MSfo 852-1c
7 820 71 - MSfo 852-1c
7 820 72 - MSfo 852-1d
7 820 73 - MSfo 852-1d

