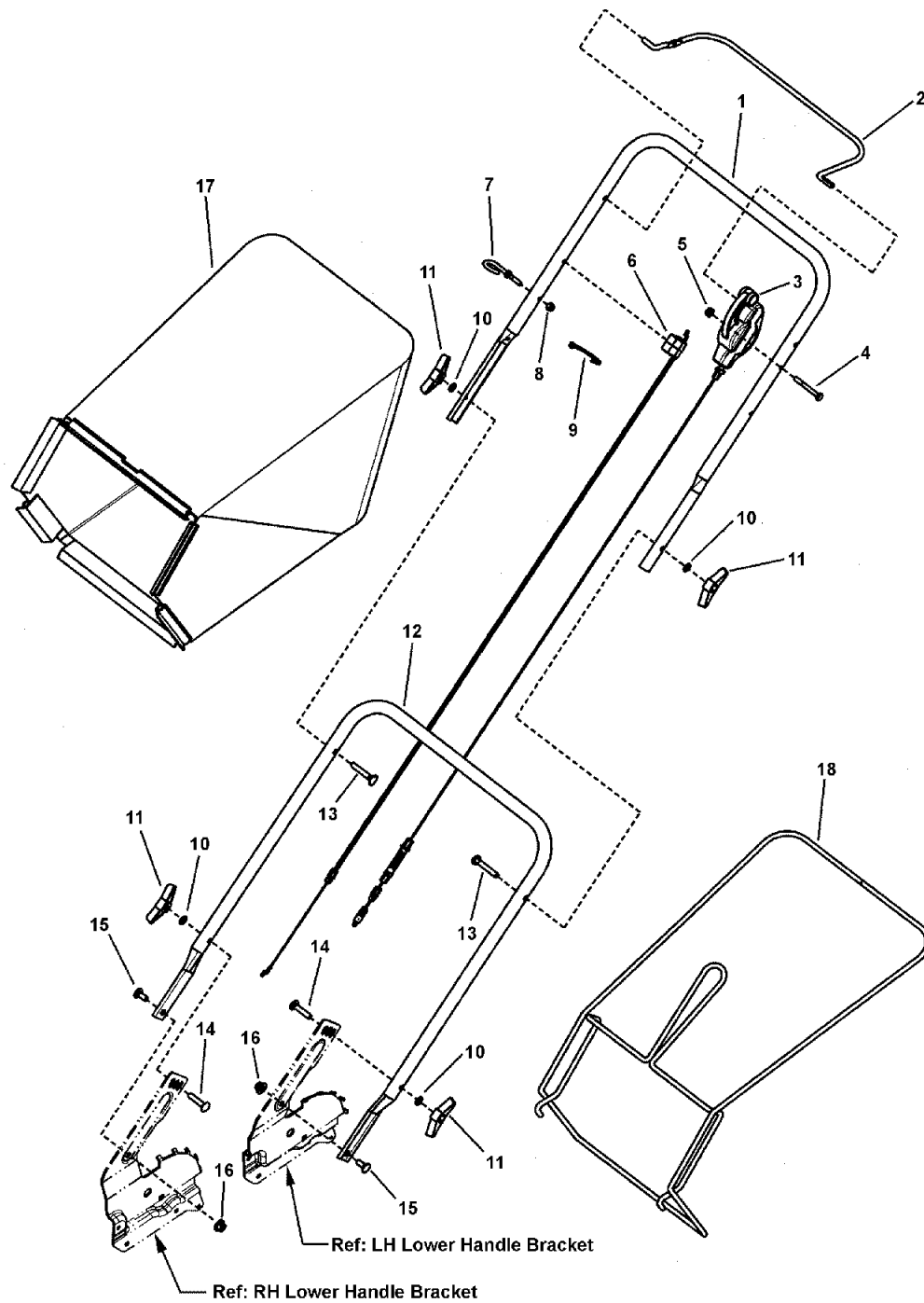


Handles & Controls

NOTE: Unless noted otherwise,
use the standard hardware torque
specification chart.



The above parts group applies to the following Mfg. Nos.:

7800583 - BTPX22675HW

Handles & Controls

REF NO	PART NO.	QTY.	DESCRIPTION
1	7103492AYP	1	UPPER HANDLE
2	7103491AYP	1	BAIL, OPC Propelled
3	1101670MA	1	CONTROL, Drive, Single Speed
4	7090892YP	1	SCREW, 1/4-20 x 2-1/4" Hex Head Cap, GR 5
5	2860694SM	1	NUT, 1/4-20 Hex Flange Esna, YZ
6	7103977YP	1	CABLE, Bail, 22" Brute WBM
7	7028488MA	1	ROPE GUIDE (1/4-20 thread)
8	7076978SM	1	NUT, 1/4-20 Nyloc
9	7024649YP	1	WIRE TIE, 11 Inch Std Black Nylon
10	7090391SM	4	WASHER, 5/16" Internal Tooth lock
11	671294MA	4	KNOB, 5/16-18 Wing Nut
12	7300592AMA	1	HANDLE, Lower, 21" Rear Discharge
13	7091189YP	2	BOLT, 5/16-18 x 2" Curved Head Square Neck, GR 2
14	1931337SM	2	BOLT, 5/16-18 x 1-1/2" Round Head Short Square Neck Carriage, GR 5
15	340720MA	2	BOLT, 5/16-18 x 3/4" Round Head Short Square Neck Carriage, YZ
16	7090951SM	2	NUT, 5/16-18 Large Head Center Lock
--	7600107YP	1	ASSEMBLY, 22" Grass Catcher (incl. items 17 & 18)
17	7103375YP	1	BAG, Grass, 22" Rear Discharge
18	7103305AYP	1	BAG FRAME, Rear Discharge

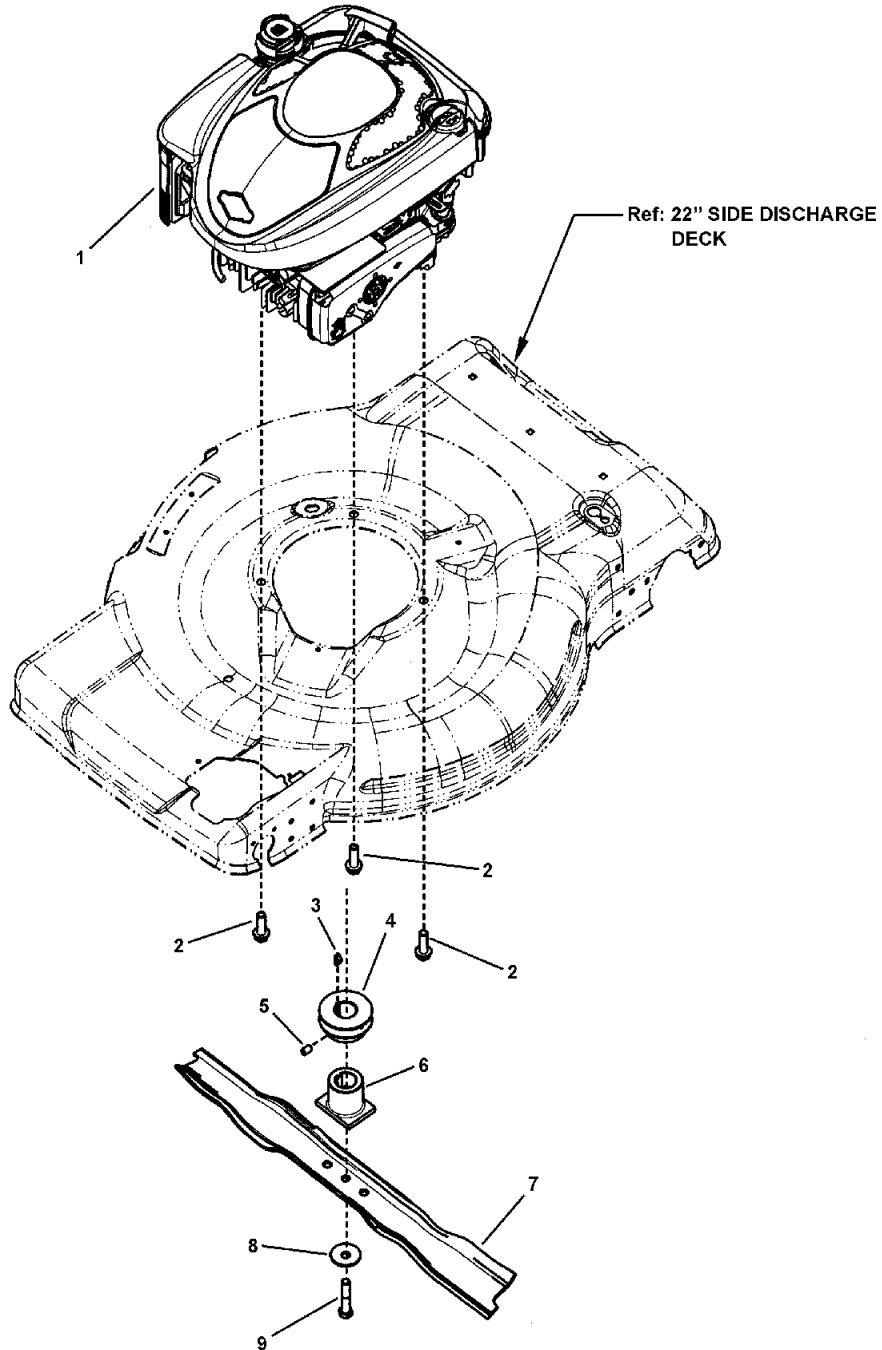
Footnotes

The above parts group applies to the following Mfg. Nos.:

7800583 - BTP22675HW

Engine Group

NOTE: Unless noted otherwise,
use the standard hardware torque
specification chart.



The above parts group applies to the following Mfg. Nos.:
7800583 - BTP22675HW

Engine Group

REF NO	PART NO.	QTY.	DESCRIPTION
1	126L02-4675-F3	1	* ENGINE, B&S 675 Series, X-Spec, F3, MY09
2	7900072YP	3	SCREW, 3/8-16 x 1-1/4" Hex Washer Self-Tap
3	7091214YP	1	KEY, #HP-506 Hi-Pro
4	7100437YP	1	PULLEY, Engine
5	7092086YP	1	SET SCREW, 5/16-18 x 1/2" Hex Recess Type A Point (Cup Point)
6	7101414YP	1	BLADE HUB, 21" WBM, Rear Discharge, 2 Position
7	7103288YP	1	BLADE, Wave, Steel Deck
8	7012063SM	1	WASHER, Cone
9	7090167SM	1	SCREW, 3/8-24 x 2" Hex Head Cap, GR 5

Footnotes

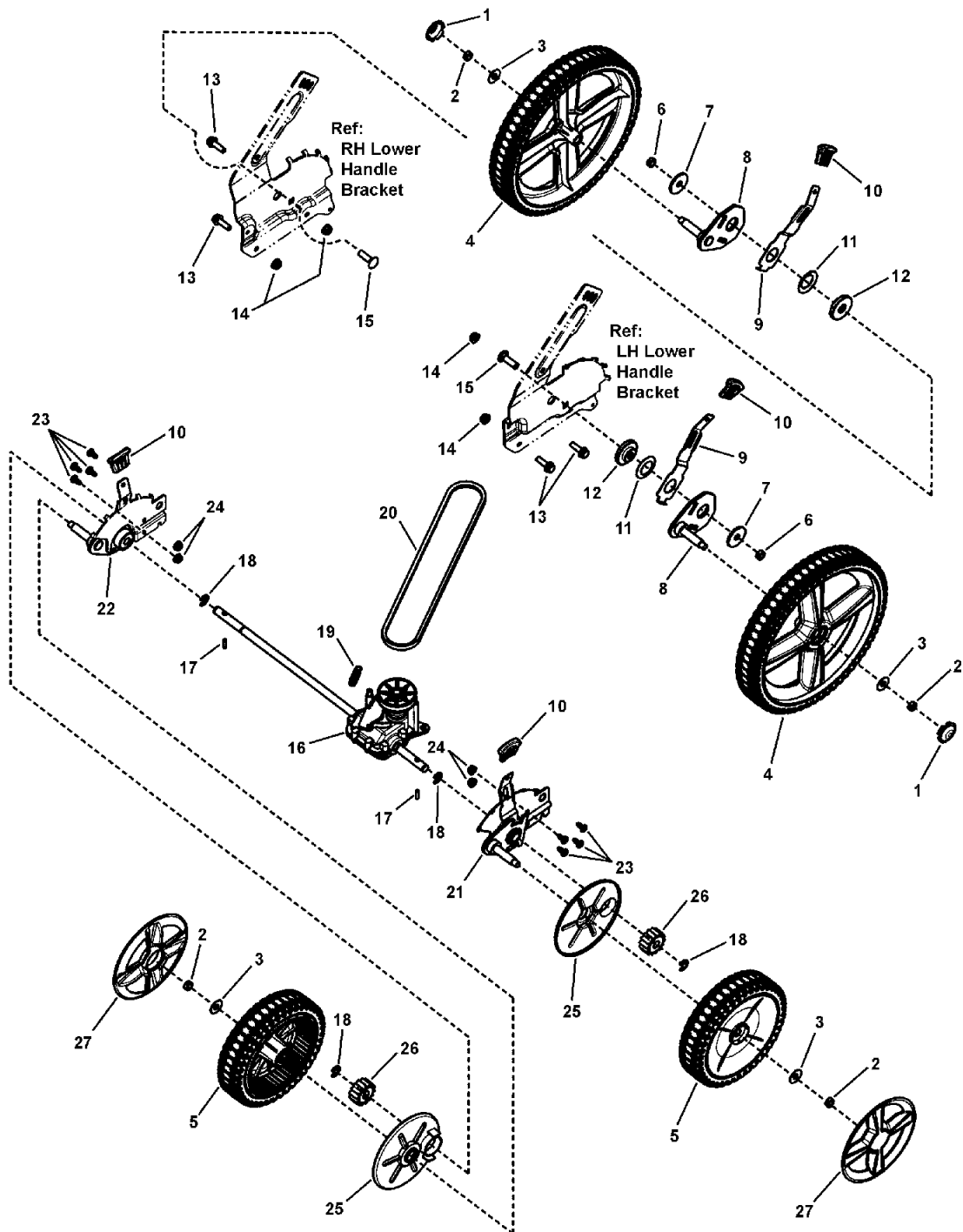
NOTE: * Purchase engine parts from engine manufacturer dealer.

The above parts group applies to the following Mfg. Nos.:

7800583 - BTP22675HW

Transmission & Wheel Group

NOTE: Unless noted otherwise,
use the standard hardware torque
specification chart.



The above parts group applies to the following Mfg. Nos.:
7800583 - BTP22675HW

Transmission & Wheel Group

REF NO	PART NO.	QTY.	DESCRIPTION
1	7103540YP	2	HUBCAP, 12" Rim Yellow
2	1960251SM	4	NUT, 3/8-16 Hex Center Lock Jam, YZ
3	17X169MA	4	WASHER, 1" OD x .387 ID Flat
4	7101708MA	2	WHEEL, 12" x 2" Idle, w/Db Tread, Brute Yellow
5	7103500YP	2	WHEEL, 8" x 2" Drive, w/DB Tread P-290 Satin Black
6	7091585SM	2	NUT, 3/8-16 Hex Center Lock, YZ
7	7091331SM	2	WASHER, 13/32 x 1-1/2" x .120 Flat, YZ
8	7501639YP	2	ASSEMBLY, Wheel Bracket, Rear, High-Wheel (staked)
9	7103301YP	2	LEVER, Front, Height-Of-Cut, 22"
10	7103542YP	4	GRIP, Height Latch, P-391-St, Yellow
11	17X178MA	2	WASHER, 1" ID x 1.64 OD Bellville
12	7103511YP	2	BUSHING, Pivot, Hi-Wheel, Rear
13	7091591SM	4	BOLT, 5/16-18 x 1" Hex Flange Lock, GR 5, YZ
14	7091601SM	4	NUT, 5/16-18 Hex Flange Lock, GR 5, YZ
15	7091790YP	2	BOLT, 3/8-16 x 1-1/4" Round Head Square Neck Carriage, GR 5 YZ
16	7103313YP	1	TRANSMISSION, Single Speed, Front Wheel Drive
17	7101270YP	2	PIN, Drive, 22" WBM, Front Wheel Drive
18	7014341YP	4	RETAINING RING
19	7103308YP	1	SPRING, Tension, Front Wheel Drive, Single Speed
20	7103363YP	1	BELT, Drive, 22" WBM, Front Wheel Drive 3L section; 32.57 effective length
21	7600105YP	1	ASSEMBLY, Height-Of-Cut, LF, 22" WBM, Propelled (Includes Ref. No. 28)
22	7600104YP	1	ASSEMBLY, Height-Of-Cut, RF, 22" WBM, Propelled (Includes Ref. No. 28)
23	7900067YP	4	SCREW, 1/4-20 x .550 Pan Head Torx (T-30)
24	7091584SM	4	NUT, 1/4-20 Hex Flange Lock, YZ
25	7101402YP	2	SHIELD, Dust, 22" WBM, Front Wheel Drive
26	7101207YP	2	GEAR, Pinion, 22" WBM, Front Wheel Drive
27	7103539YP	2	HUBCAP, 8" & 9" Wheel Spoked, P-391 St Yellow
28	7078243YP	2	BALL BEARINGS (Not Illustrated)

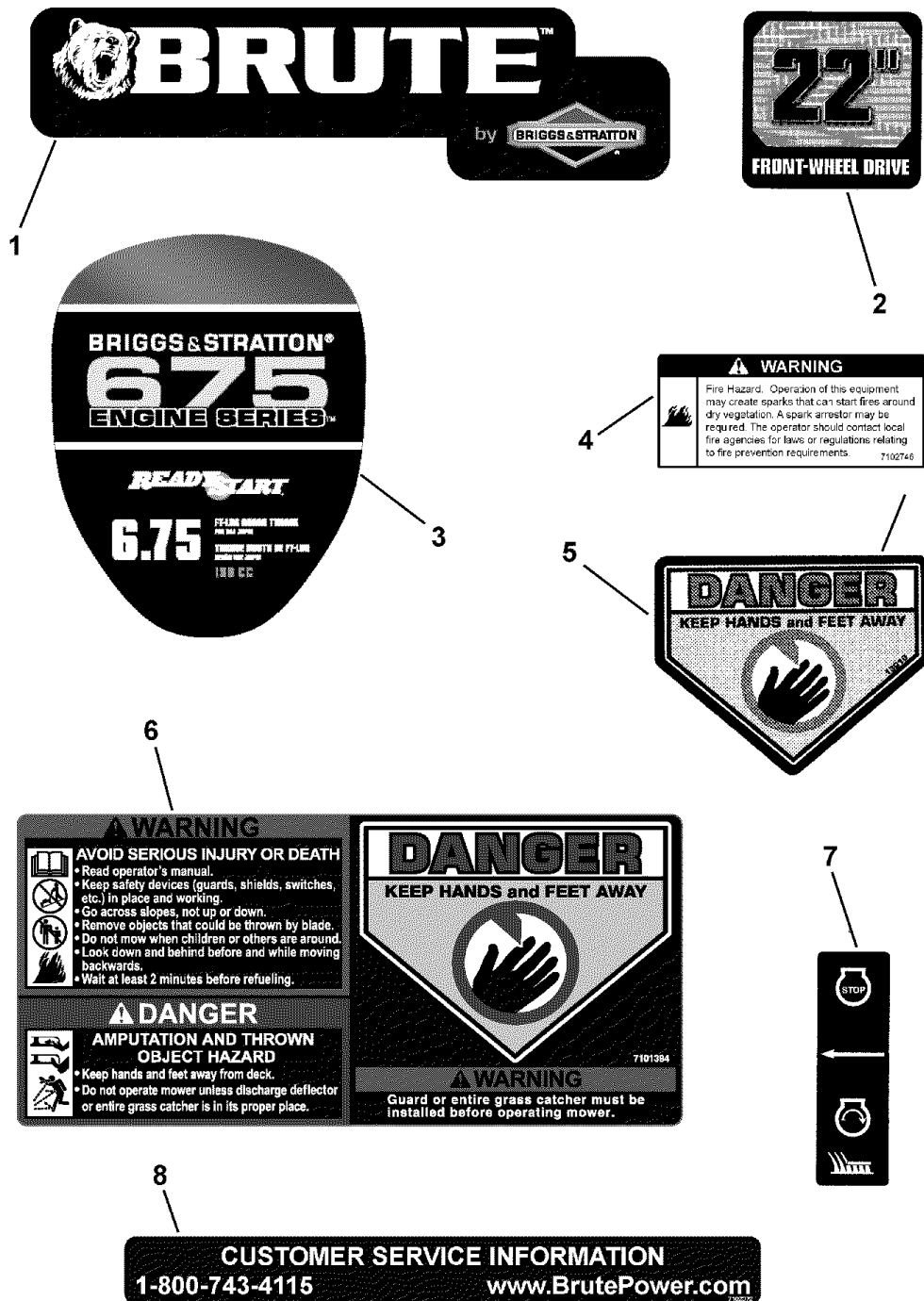
Footnotes

The above parts group applies to the following Mfg. Nos.:

7800583 - BTP22675HW

Decals

NOTE: Unless noted otherwise, use the standard hardware torque specification chart.



The above parts group applies to the following Mfg. Nos.:
7800583 - BTXP22675HW

Decals

REF NO	PART NO.	QTY.	DESCRIPTION
1	7103545YP	1	DECAL, Brute Walk-Behind Mower
2	7104141YP	1	DECAL, 22" Front Wheel Drive Brute
3	7104178YP	1	DECAL, Engine 675, Brute
4	7102746YP	1	DECAL, Spark Arrestor
5	7013010SM	1	DECAL, Danger, Cut Finger
6	7101394YP	1	DECAL, Warning, Rear Discharge Door
7	7029782MA	1	DECAL, OPC Bail International Symbol
8	7102372YP	1	DECAL, Customer Service, Brute

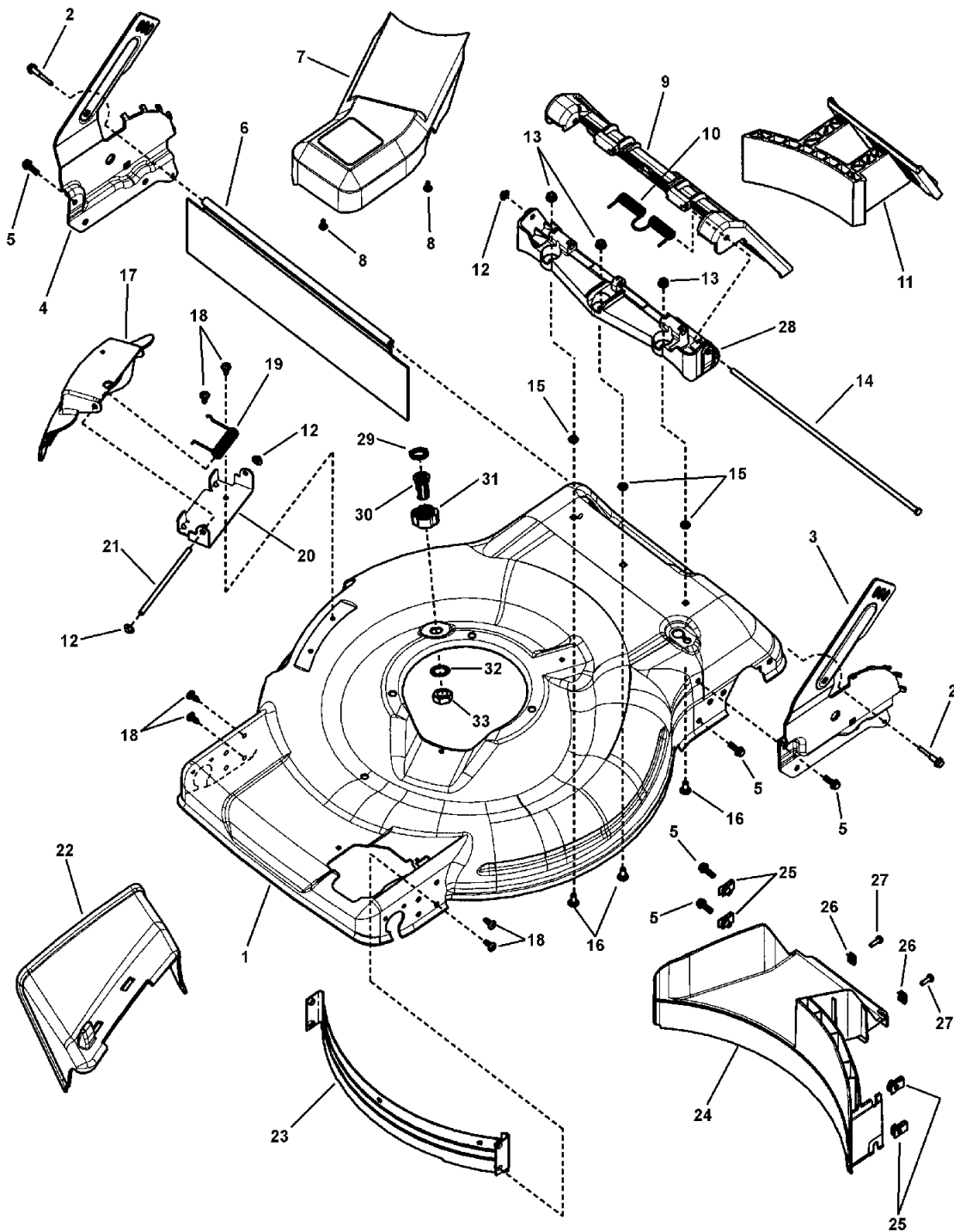
Footnotes

The above parts group applies to the following Mfg. Nos.:

7800583 - BTP22675HW

Deck Group

NOTE: Unless noted otherwise,
use the standard hardware torque
specification chart.



The above parts group applies to the following Mfg. Nos.:
7800583 - BTPX22675HW

Deck Group

REF NO	PART NO.	QTY.	DESCRIPTION
1	7301111ZYP	1	DECK, 22", Front Wheel Drive, Washout
2	7900073YP	2	BOLT, Drag Shield, 1/4-20 x 1-1/2"
3	7301091AYP	1	BRACKET, Lower Handle, LH, Hi-Wheel
4	7301090AYP	1	BRACKET, Lower Handle, RH, Hi-Wheel
5	7090699YP	4	BOLT, 1/4-20 x 3/4" Hex Flange Lock, GR 5
6	7103323YP	1	GUARD, Rear 22"
7	7600108YP	1	ASSEMBLY, Belt Cover w/Heat Patch
8	7900018YP	2	SCREW, 4.8 x 1.59 x 13mm, Round Washer Head Hi-Lo (Torx)
9	7103291YP	1	DOOR, Rear Discharge
10	7103309YP	1	REAR DOOR SPRING, Torsion
11	7103453YP	1	PLUG, Mulching, 22" Deck
12	7091020YP	3	PUSHNUT, 1/4"
13	15X143MA	3	NUT, 1/4-20 Hex Flange Lock
14	7103322YP	1	ROD, Pivot, Rear Door
15	1960518SM	3	RETAINER, 1/4" Bolt
16	7090803YP	3	BOLT, 1/4-20 x 5/8" Flat Head Square Neck, GR 5
17	7103298YP	1	COVER, Mulching
18	7900067YP	6	SCREW, 1/4-20 x .550 Pan Head Torx (T-30)
19	166X38MA	1	CHUTE SPRING, Torsion
20	7300855ZMA	1	BRACKET, Chute
21	7101067YP	1	ROD, Pivot
22	7103299YP	1	CHUTE, Side Discharge, 22" WBM
23	7301020ZYP	1	BAFFLE, Front
24	7103452YP	1	REAR BAFFLE, Front Wheel Drive, WBM
25	7023295SM	4	U-NUT, 1/4-20
26	1960593SM	2	SPEED NUT, #10-24 Retainer w/Extrusion
27	7091075SM	2	SCREW, #10-24 x 5/8" Hex Washer Face Self-Tap, GR 5
28	7103292YP	1	DOOR HINGE, Rear Discharge
29	7103957YP	1	WASHER, Hose
30	7103804YP	1	ADAPTOR, Washout Port, WBM
31	7103919YP	1	COUPLING, Hose
32	7090880YP	1	WASHER, 5/8" Internal Tooth Lock
33	1960716SM	1	NUT, 5/8-11 NC-2B Hex Jam

Footnotes

The above parts group applies to the following Mfg. Nos.:

7800583 - BTPX22675HW