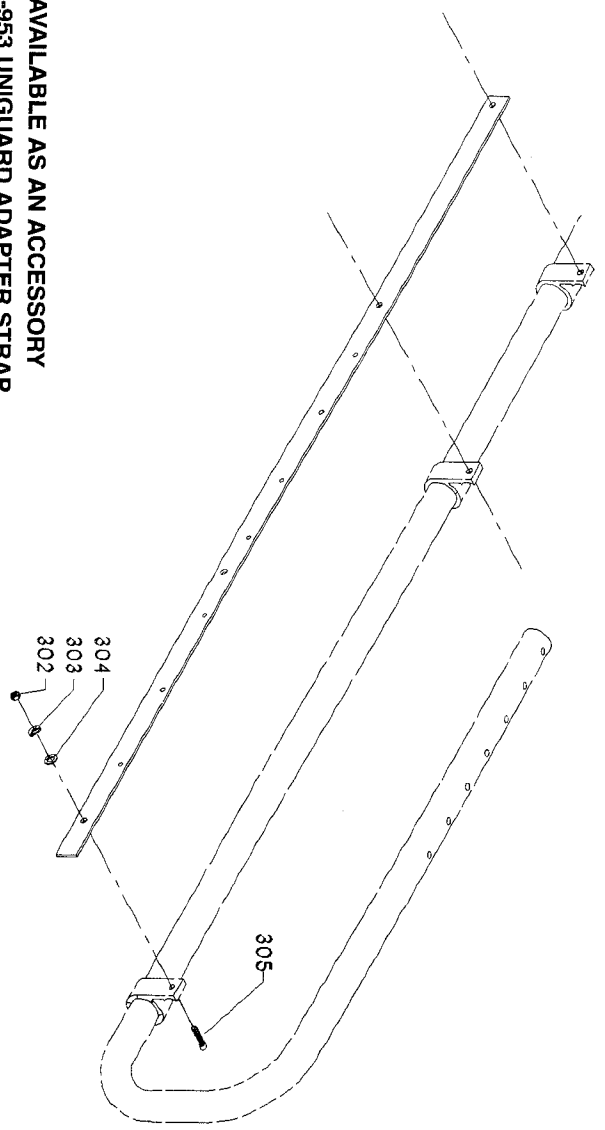


AVAILABLE AS AN ACCESSORY
78-953 UNIGUARD ADAPTER STRAP
(To mount UNIGUARD to saws equipped with
Biesmeyer T-Square® Fence Systems. 52" Maximum)



Parts List for 78-953 Type 1

Item Number	Part Number	Description	Qty Required
302	1350287S	HEX NUT	1
303	1350288S	LOCK WASHER	1
304	1350286S	FLAT WASHER	1
305	1351909S	SCREW	1