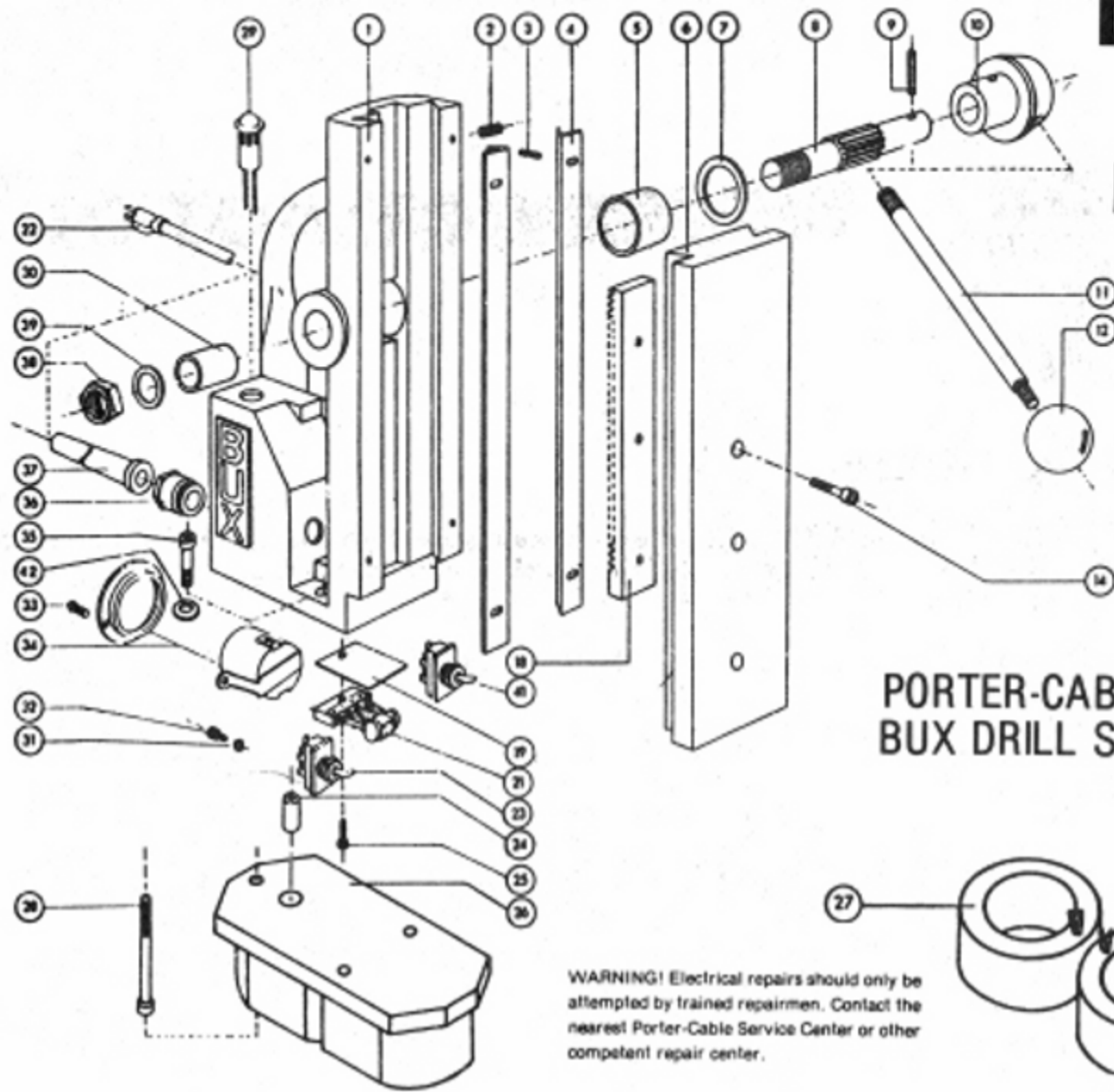


DH 1/2
 (77777)
 (77778)
NH 1



**PORTER-CABLE
 BUX DRILL STAND**

Ref. No.	Part No.	Description	Ref. No.	Part No.	Description
1	1256147	Post	*	1256181**	Magnet Assy. Incl:
2	1256148	Screw	26	1256212	Base
3	1256149	Roll Pin	27	1256213	Coil (2 required)
4	1256150	Gib Strip	28	1256178	Screw
5	1256151	Bearing	29	1256166	Lampholder Assy.
6	1256176	Slide	30	1256167	Bearing
7	1256152	Friction Washer	31	1256168	Spring Ring
8	1256153	Pinion Shaft	32	1256169	Screw
9	1256154	Roll Pin	33	1256170	Screw
10	1256155	Shaft Extension	34	1256179	Receptacle
11	1256156	Rod	35	1256171	Screw
12	1256157	Ball	36	1256172	Packing Gland
14	1256158	Screw	37	1256173	Cord Protector
18	1256159	Rack	38	1256174	Nut
19	1256160	Plate	39	1256175	Washer
21	1256161	Rectifier Assy.	41	1256180	Motor Switch
22	802787	Cord	42	1256118	Washer
23	1256163	Magnet Switch	*	1256122	Safety Chain
24	1256164	Wire Sleeve	*	1256123	Safety Hook
25	1256165	Screw			

**See Service Notes

PARTS LIST NO. 692603 - 787

Copyright © 1987 Porter-Cable Corporation

PORTER-CABLE
 PROFESSIONAL POWER TOOLS

DH 1/2
 (77777)
 (77778)
NH 1

SERVICE NOTES

MAGNET ASSEMBLY NH1

Current model drill stands have a double coil base whereas the early models incorporated a single coil base. When ordering a coil or base for the single coil type, order the complete magnet assembly #1256181.