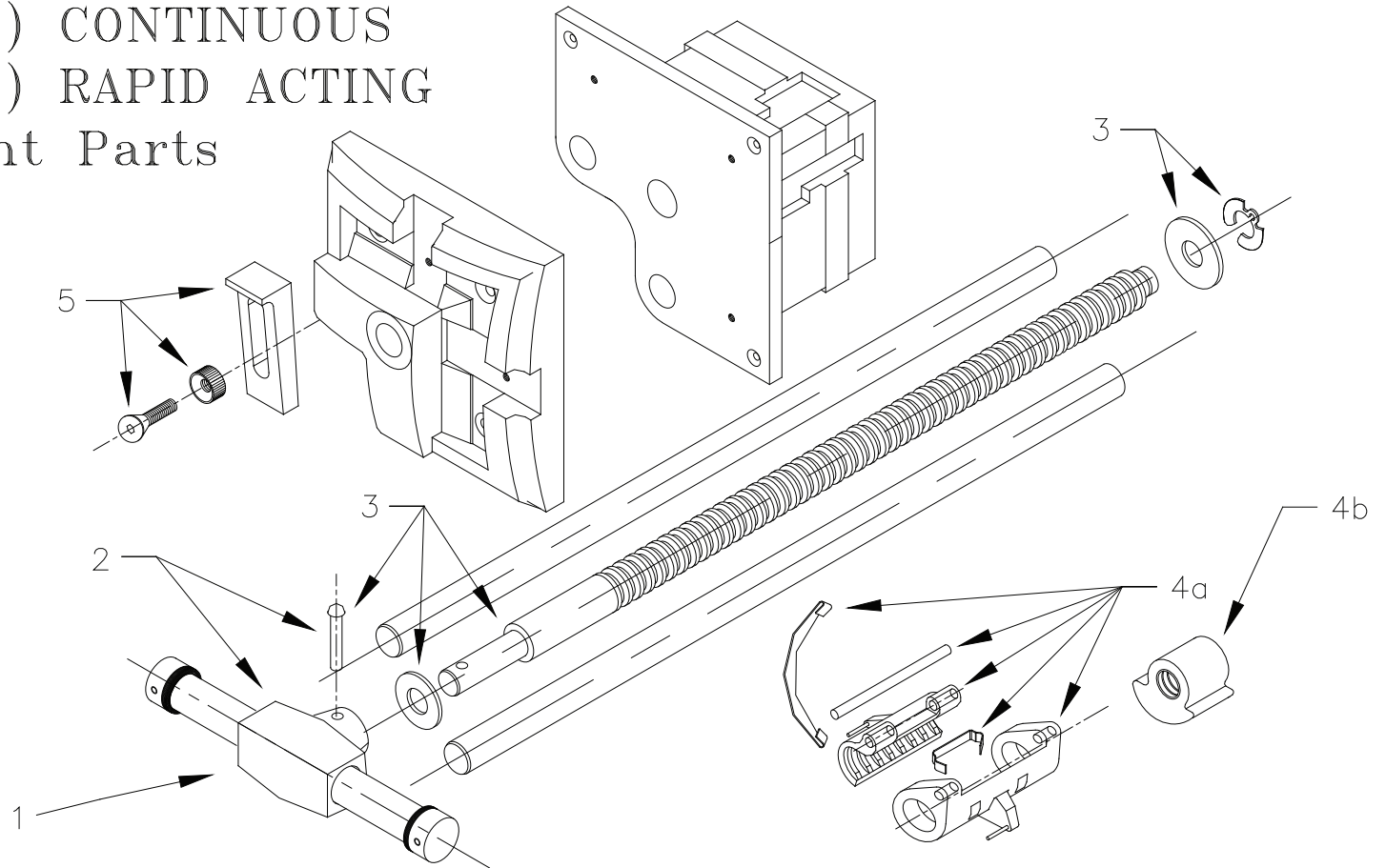


WOODWORKERS' VISES

76A (7 X 7) CONTINUOUS

77A (7 X 7) RAPID ACTING

Replacement Parts



WILTON MODEL NUMBER	BASIC VISE SIZE	ITEM #1 HANDLE ASSEMBLY	ITEM #2 SPINDLE HEAD & PIN	ITEM #3 SPINDLE AND RELATED PARTS	ITEM #4a RAPID NUT ASSEMBLY	ITEM #4b CONTINUOUS NUT	ITEM #5 BENCH DOG ASSEMBLY
76A CONTINUOUS	7 X 7	1611811	2900800	2900950	NOT AVAIL.	1610030	9063330
77A RAPID ACTING	7 X 7	1611811	2900800	2900950	1611610	NOT AVAIL.	9063330