

5.0 General Features and Terminology

Numbers refer to corresponding index numbers in parts list.

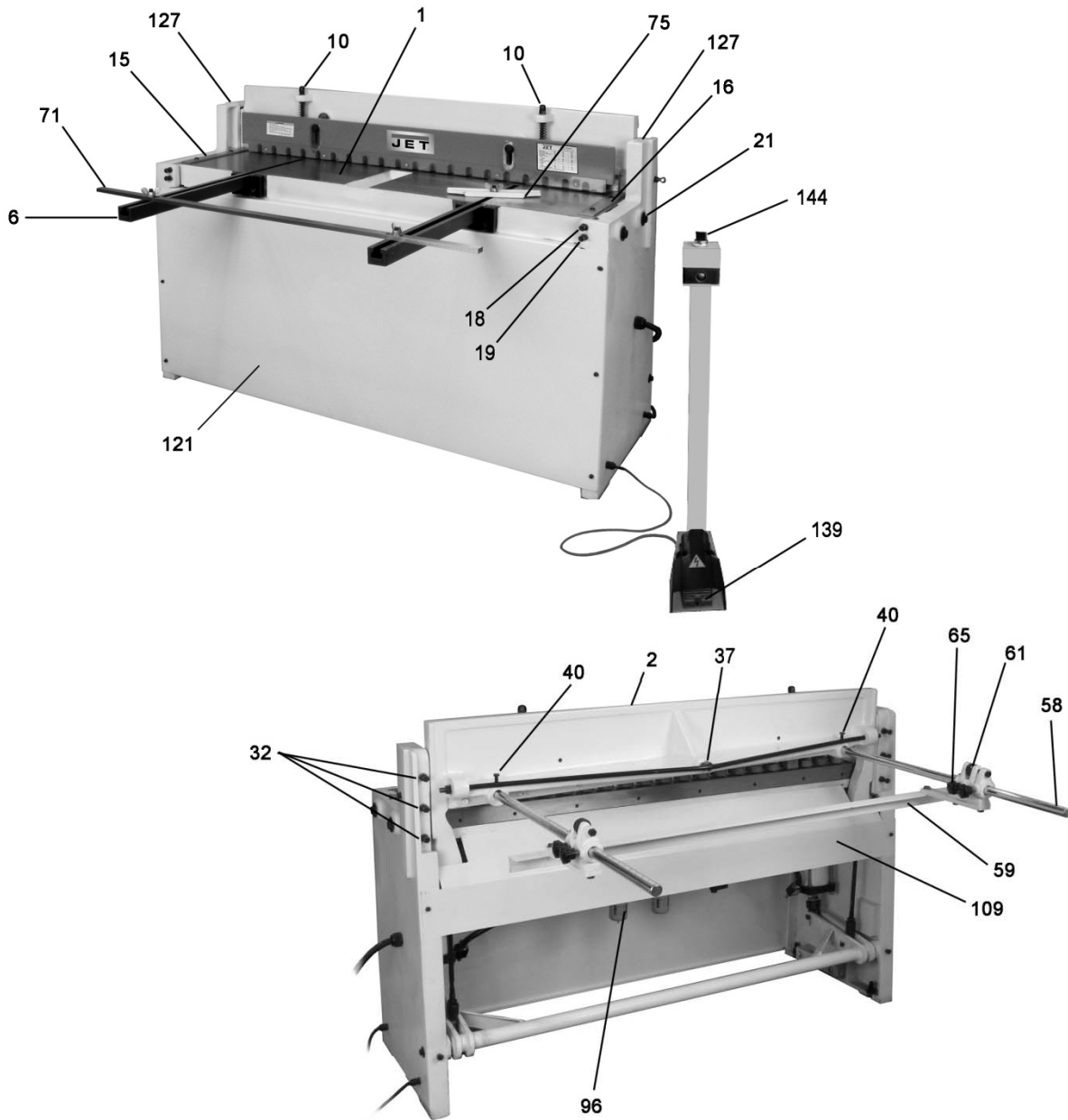
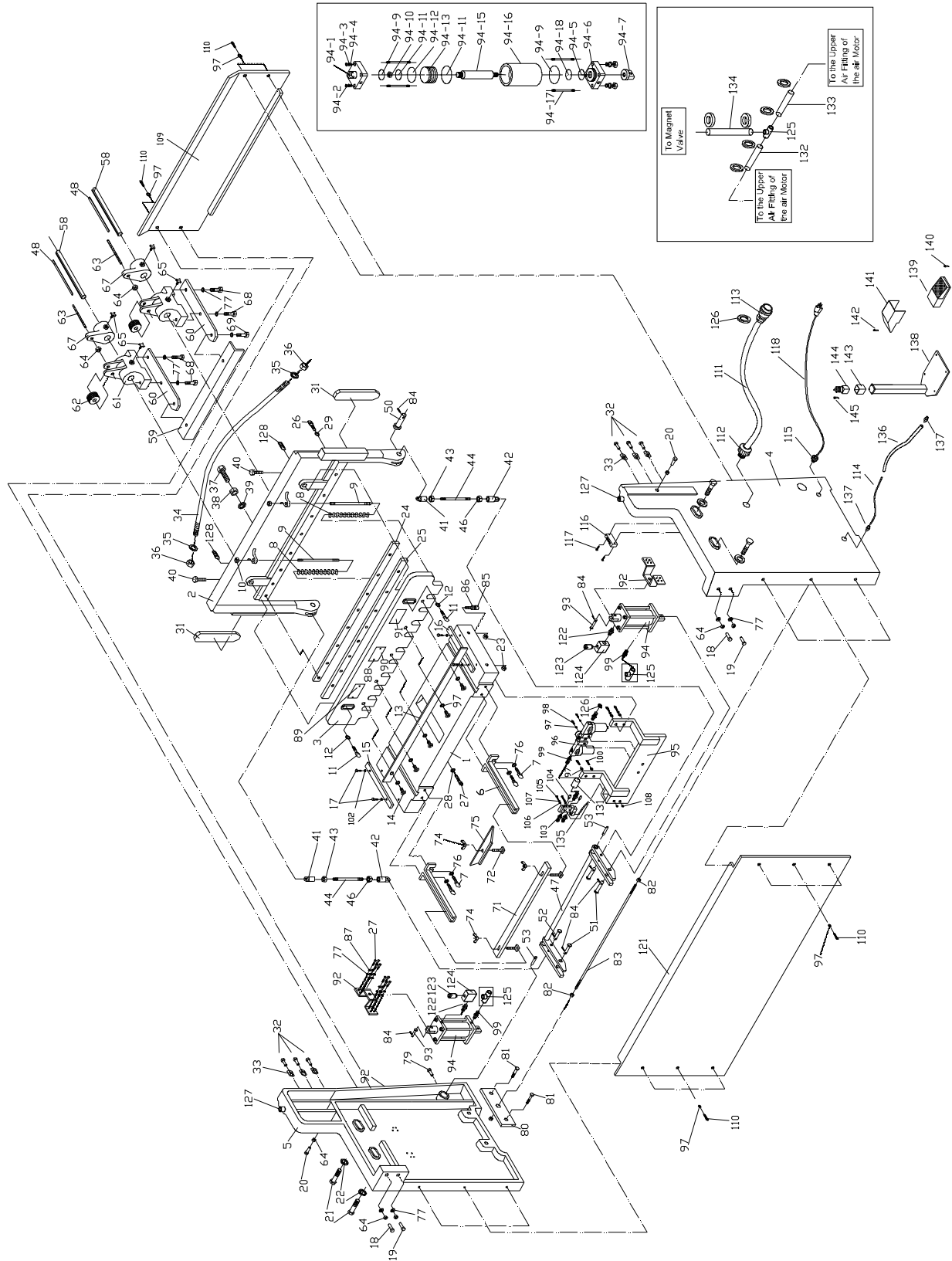


Figure 1

1	Table	59	Rear Stop
2	Cutter Bar	61	Adjusting Block
3	Hold Down	65	Adjusting Block knobs
6	Front Arm Extension	71	Front Stop
10	Spring Tension Adjusting Nuts	75	Bevel Gauge
15	Left Scale	96	Filter Regulator Assembly
16	Right Scale	109	Rear Cover
18/19	Table Adjustment Screws	119	Foot Pedal
21	Table Bolts	121	Front Cover
32	Gib Screws	127	Oil Fitting
37	Tie-Rod Adjustment Screw	139	Foot Pedal
40	Screws for securing Scale Rods	144	On/Off Switch

11.1.1 PS-1652T Assembly – Exploded View



11.1.2 PS-1652T Assembly – Parts List

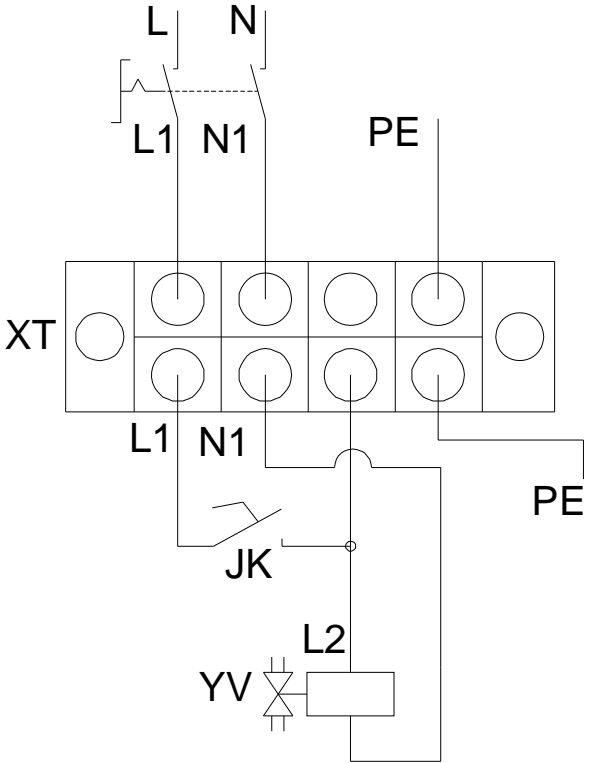
Index No.	Part No.	Description	Size	Qty
1	PS1652T-1	Table		1
2	PS1652T-2	Cutter Bar		1
3	PS1652T-3	Hold Down		1
4	PS1652T-4	R.H. Side Panel		1
5	PS1652T-5	L.H. Side Panel		1
6	PS1652T-6	Front Arm Extension		2
7	FS1636N-7	Hex Cap Screw	M12x45	4
8	PS1652T-8	Spring	3.5d x 18.5D x 180mm	2
9	PS1652T-9	Stud		2
10	FS1636N-10	Nylon Lock Hex Nut	M12	2
11	FS1636N-11	Hex Cap Screw	M12x80	2
12	FS1636N-12	Washer		2
13	PS1652T-13	Finger Guard		1
14	FS1636N-14	Phillips Pan Head Machine Screw	M6x12	5
15	PS1652T-15	Table Scale (L.H.)		1
16	PS1652T-16	Table Scale (R.H.)		1
17	FS1636N-17	Hex Cap Screw	M8x25	4
18	TS-2210451	Hex Cap Screw	M10x45	2
19	TS-1491101	Hex Cap Screw	M10x60	18
20	PS1652T-20	Hex Cap Screw	M10x50	2
21	PS1652T-21	Hex Cap Screw	M16x120	4
22	FS1636N-22	Washer		4
23	PS1652T-23	Nut	M16	4
24	PS1652T-24	Upper Knife		1
25	PS1652T-25	Lower Knife		1
26	FS1636N-27	Cap Screw	M10x45	9
27	PS1652T-27	Cap Screw	M10x50	24
28	FS1636N-28	Washer		9
29	FS1636N-29	Washer	10mm	17
31	PS1652T-31	Gib		2
32	TS-1505071	Socket Head Cap Screw	M10x45	6
33	FS1636N-33	Nut	M10	6
34	FS1636N-34	Rod		1
35	TS-155009	Plain Washer	14mm	2
36	PS1652T-36	Nut	M14	2
37	PS1652T-37	Screw	M16x70	1
38	FS1636N-38	Nut	M16	1
39	FS1636N-39	Washer	16mm	1
40	FS1636N-40	Hex Cap Screw	M10x35	2
41	PS1652T-41	Swivel		2
42	PS1652T-42	Swivel		2
43	FS1636N-46	Hex Nut (Right Hand Thread)	M16	2
44	PS1652T-44	Stud		2
46	PS1652T-46	Hex Nut (Left Hand Thread)	M16	2
47	PS1652T-47	Cylinder Link Bar Assembly		1
48	PS1652T-48	Scale		2
49	FS1636N-49	Cross Head Pan Screw	M4x8	2
50	PS1652T-50	Pin	Ø12 x 85mm	2
51	PS1652T-51	Pin	Ø16 x 65mm	2
52	PS1652T-52	Pin	Ø12 x 65mm	4
53	PS1652T-53	Brake Pin		2
58	PS1652T-58	Scale Rod		2
59	PS1652T-59	Rear Stop		1
60	PS1652T-60	Extension Bar		2
61	PS1652T-61	Adjusting Block		2
62	PS1652T-62	Adjusting Dial		2

Index No.	Part No.	Description	Size	Qty
63	FS1636N-63	Adjusting Screw		2
64	FS1636N-64	Hex Nut	M10	4
65	PS1652T-65	Knob		4
67	PS1652T-66	Adjusting Bracket		2
68	TS-1491031	Hex Cap Screw	M10x25	4
69	TS-1491021	Hex Cap Screw	M10x20	2
71	PS1652T-71	Front Stop		1
72	FS1636N-72	"T" Screw		3
74	TS-2321121	Wing Nut	M12	3
75	PS1652T-75	Bevel Gauge		1
76	FS1636N-76	Washer	12mm	4
77	FS1636N-77	Plain Washer	10mm	27
79	TS-1505071	Socket Head Cap Screw	M10x45	2
80	PS1652T-80	Plate		2
81	TS-1492021	Hex Cap Screw	M12x30	4
82	TS-2310201	Hex Nut	M20	4
83	PS1652T-83	Connection Bar	Ø20x1480mm	1
84	PS1652E-84	Cotter Pin	Ø4x30mm	8
85	PS1652E-85	Socket Head Cap Screw	M8x45	8
86	PS1652E-86	Hex Nut	M8	8
87	TS-2361101	Helical Spring Lock Washer	10mm	16
88	PS1652E-88	Rivet	Ø2x6mm	4
89	PS1652E-W	Warning Label		1
90	PS1652E-J	JET Plaque		1
91	PS1652E-S	Specification Label		1
92	PS1652T-92	Bracket		2
93	PS1652T-93	Shaft	Ø16x65mm	2
94	PS1652T-94	Air Motor Assembly		2
94-1	PS1652T-94-1	Top Cover with Hinge		1
94-2	PS1652E-94-2	Hex Nut	M10	8
94-3	PS1652E-94-3	Helical Spring Lock Washer	10mm	8
94-4	PS1652E-94-4	Plain Washer	10mm	8
94-5	PS1652E-94-5	Dust Seal	D43xd35xh12 mm	1
94-6	PS1652T-94-6	Bottom Cover		1
94-7	PS1652T-94-7	Hinge		1
94-9	PS1652E-94-9	O-Ring	100 x 1.9mm	2
94-10	PS1652E-94-10	Hex Nut	M16	1
94-11	PS1652E-94-11	U-Seal	D100xd90xh8 mm	2
94-12	PS1652E-94-12	Piston Ring	2x5mm	1
94-13	PS1652T-94-13	Piston Head		1
94-14	PS1652E-94-14	O-Ring	25x2.4mm	1
94-15	PS1652T-94-15	Piston		1
94-16	PS1652T-94-16	Body		1
94-17	PS1652T-94-17	Bolt		4
94-18	PS1652E-94-18	O-Ring	39x2mm	1
95	PS1652T-95	Bracket		1
96	PS1652E-96	Air Regulator Assembly	BC3000	1
97	TS-1550041	Plain Washer	6mm	17
98	TS-1503051	Socket Head Cap Screw	M6x20	2
99	PS1652E-99	Air Fitting	PT3/8"	15
100	TS-1504041	Socket Head Cap Screw	M8x20	4
102	TS-1550061	Plain Washer	8mm	8
103	PS1652E-103	Magnetic Valve	4V310-10-AC110V	1
104	PS1652E-104	Muffler	PT1/4"	2
105	PS1652T-105	Pan Head Machine Screw	M4x40	2
106	TS-1550021	Plain Washer	4mm	2
107	TS-2361041	Helical Spring Lock Washer	4mm	2
108	TS-1540021	Hex Nut	M4	2

Index No.	Part No.	Description	Size	Qty
109	PS1652T-109	Rear Cover		1
110	TS-1503031	Socket Head Cap Screw	M6x12	14
111	PS1652T-111	Air Hose	1/2" x 700psi x 2m	1
112	PS1652E-112	Air Hose Holder	M30x1.5	1
113	PS1652E-113	Quick Fitting	Ø10mm	1
114	PS1652E-114	Cable	18AWGx3C,3m	1
115	PS1652E-115	Plastic Cable Holder	M16x1.5	1
116	PS1652T-116	Wiring Block	TB-1504	1
117	TS-1532052	Phillips Pan Head Machine Screw	M4x15	2
118	PS1652E-118	Power Cable with Plug	16AWG, 4M	1
121	PS1652T-121	Front Cover		1
122	PS1652E-122	Air Fitting		2
123	PS1652E-123	Muffler	PT3/8"	2
124	PS1652E-124	Air Exhaust Valve	QE-03	2
125	PS1652E-125	3-Way Connection	PT3/8"	2
126	PS1652E-126	Holding Ring	Ø16-25mm	16
127	PS1652E-127	Oil Fitting	Ø10mm	2
128	PS1652T-128	Set Screw	M12x25	2
129	TS-1501041	Socket Head Cap Screw	M4x12	3
130	PS1652E-130	Rubber Grommet	Ø15	1
131	PS1652E-131	Air Hose	1/2" x 700psi x 0.12m	1
132	PS1652E-132	Air Hose	1/2" x 700psi x 1m	2
133	PS1652E-133	Air Hose	1/2" x 700psi x 0.5m	2
134	PS1652E-134	Air Hose	1/2" x 700psi x 0.6m	2
135	PS1652E-135	Cable	18AWGx3C,1.2m	1
136	PS1652T-136	Cable, Foot Pedal	Ø 18x2mm	1
137	PS1652T-137	Strain Relief	M20x1.5	4
138	PS1652T-138	Post (s/n 11120022 and higher)		1
139	PS1652T-119	Foot Control Pedal	SFMS-1	1
140	TS-1533052	Phillips Pan Head Machine Screw	M5x16	4
141	PS1652T-120	Foot Pedal Guard	SFMS-1	1
142	5712561	Phillips Pan Head Machine Screw	M5x8	4
143	PS1652T-143	Switch Box (s/n 11120022 and higher)	BX1-22	1
144	PS1652T-144	Select Switch (s/n 11120022 and higher)	SGB2-BD25 2NO	1
145	TS-2284082	Phillips Pan Head Machine Screw	M4x8	4
	STRIPE-1-3/4	Stripe (not shown)	1-3/4"	per ft.

NOTE: Non-proprietary fasteners (part numbers beginning with TS-) are standard sizes, and can usually be found at local tool stores.

12.0 Electrical connections



WALTER MEIER (Manufacturing) Inc.

427 New Sanford Road
LaVergne, Tennessee 37086
Phone: 800-274-6848
www.jettools.com
www.waltermeier.com