



# Operating Instructions and Parts Manual 12 x 48 in. Box and Pan Brake

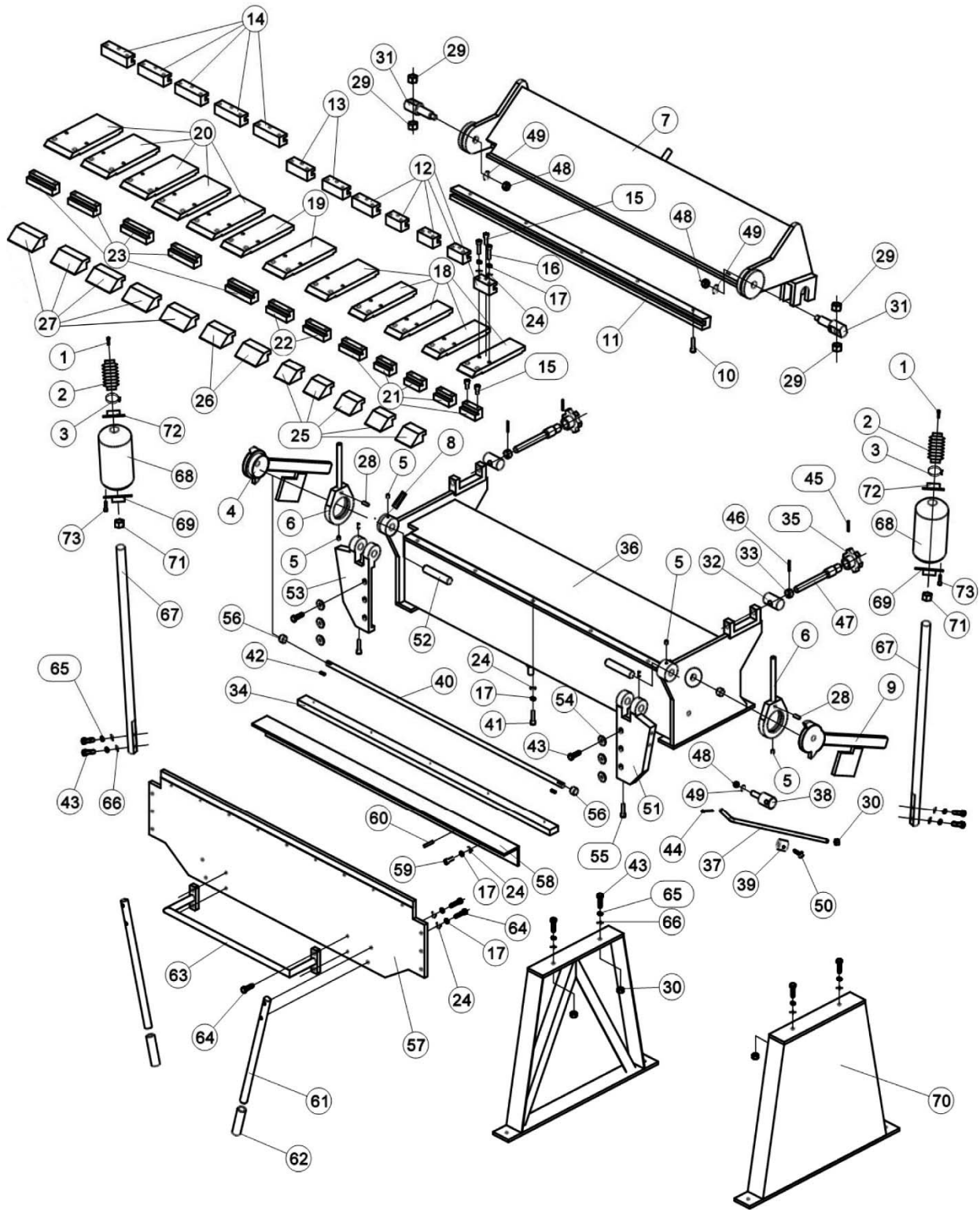
Model BPF-1248



**JET**  
427 New Sanford Road  
LaVergne, Tennessee 37086  
Ph.: 800-274-6848  
[www.jettools.com](http://www.jettools.com)

**Part No. M-754110**  
Edition 2 08/2018  
Copyright © 2015 JET

### 8.1.1 BPF-1248 Floor Box and Pan Brake – Exploded View



## 8.1.2 BPF-1248 Floor Box and Pan Brake – Parts List

Index No	Part No	Description	Size	Qty
1	F005384	Socket Head Cap Screw	M6-1.0x25	2
2	BPF1248-02	Sleeve		2
3	BPF1248-03	Clamp		2
4	BPF1248-04	Clamp Handle (LH)		1
5	BPF1248-05	Zerk Fitting		4
	BPF1248-06A	Yoke Assembly (includes #5,6,28)		2
6		Yoke (RE: BPF1248-06A)		2
7	BPF1248-07	Hold-Down Assembly		1
8	BPF16100-68	Scale (LH)		1
9	BPF1248-09	Clamp Handle (RH)		1
10	F005431	Socket Head Cap Screw	M10-1.5x40	5
11	BPF1248-11	Long Press A		1
12	BPF1248-12	Joint Open	3 in.	5
13	BPF1248-13	Joint Open	4 in.	2
14	BPF1248-14	Joint Open	5 in.	5
15	F005433	Socket Head Cap Screw	M10-1.5x50	36
16	F005435	Socket Head Cap Screw	M10-1.5x60	24
17	F002116	Lock Washer	10mm	38
18	BPF1248-18	Holder, Finger	3 in.	5
19	BPF1248-19	Holder, Finger	4 in.	2
20	BPF1248-20	Holder, Finger	5 in.	5
21	BPF1248-21	Washer, Finger	3 in.	5
22	BPF1248-22	Washer, Finger	4 in.	2
23	BPF1248-23	Washer, Finger	5 in.	5
24	F002643	Flat Washer	ø10xØ20x2mm	38
25	BPF1248-25	Finger	3 in.	5
26	BPF1248-26	Finger	4 in.	2
27	BPF1248-27	Finger	5 in.	5
28	BPF1248-28	Stop Pin		2
29	F003091	Hex Nut	M20-2.5	4
30	F003084	Hex Nut	M12-1.75	5
31	BPF1248-31	Swivel Pin Assembly		2
32	BPF1248-32	Adjusting Nut		2
33	BPF1248-33	Stop Nut		2
34	BPF1248-34	Long Press B		1
35	BPF1248-35	Knob Lock		2
36	BPF1248-36	Base Assembly		1
37	BPF1248-37	Stop Rod		1
38	BPF1248-38	Stop Rod Pin		1
39	BPF1248-39	Stop Collar		1
40	BPF1248-40	Bracket Bar		1
41	F005430	Socket Head Cap Screw	M10-1.5x35	5
42	BPF1248-42	Key	8x70 mm	2
43	F009542	Hex Cap Bolt	M12-1.75x40	10
44	F003875	Cotter Pin	3x40 mm	1
45	BPF1248-45	Round Pin	4x40 mm	2
46	BPF1248-46	Round Pin	6x30 mm	2
47	BPF1248-47	Lead Screw		2
48	F003127	Hex Nut	M16-2.0	3
49	F002650	Flat Washer	ø16xØ30x3 mm	3
50	BPF1248-50	Special Bolt	M8x25	1
51	BPF1248-51	Hinge (RH)		1
52	BPF1248-52	Hinge Pin		2
53	BPF1248-53	Hinge (LH)		1
54	BPF1248-54	Special Washer		6
55	F005405	Socket Head Cap Screw	M8-1.25x30	2
56	BPF1248-56	Copper Sleeve		2
57	BPF1248-57	Apron		1
58	BPF1248-58	Insert Bar		1

Index No	Part No	Description	Size	Qty
59	F005428	Socket Head Cap Screw	M10-1.5x25	5
60	BPF1248-60	Round Pin	8x20 mm	4
61	BPF1248-61	Straight Handle		2
62	BPF1248-62	Grip		2
63	BPF1248-63	Handle		1
64	F009503	Hex Cap Bolt	M10-1.5x40	8
65	F002118	Lock Washer	12 mm	8
66	F002646	Flat Washer	ø12xØ24x2.5 mm	8
67	BPF1248-67	Rod		2
68	BPF1248-68	Counterweight Assembly		2
69	BPF1248-69	Special Nut B		2
70	BPF1248-70	Support Leg		2
71	BPF1248-71	Hex Nut		2
72	BPF1248-72	Special Nut A		2
73	F005383	Socket Head Cap Screw	M6-1.0x20	2
74	F010405	Socket Set Screw	M6-1.0x20	4
75	BPF1248-75	Scale Pointer		1
	F012226	Hex Key (not shown)	6mm	1
	LM000079	ID Label, BPF-1248 (not shown)		1
	LM000133	Warning Label (not shown)		1
	JET-165	JET Logo with adhesive (not shown)	165x68 mm	1

Some parts are shown for reference only, and may not be available individually.

Non-proprietary parts, such as fasteners, can usually be found at local hardware stores, or may be ordered from JET.