



Operating Instructions and Parts Manual

16 ga. x 50 in. Bench Box and Pan Brake

Model BPB-1650



Shown on optional stand #754200

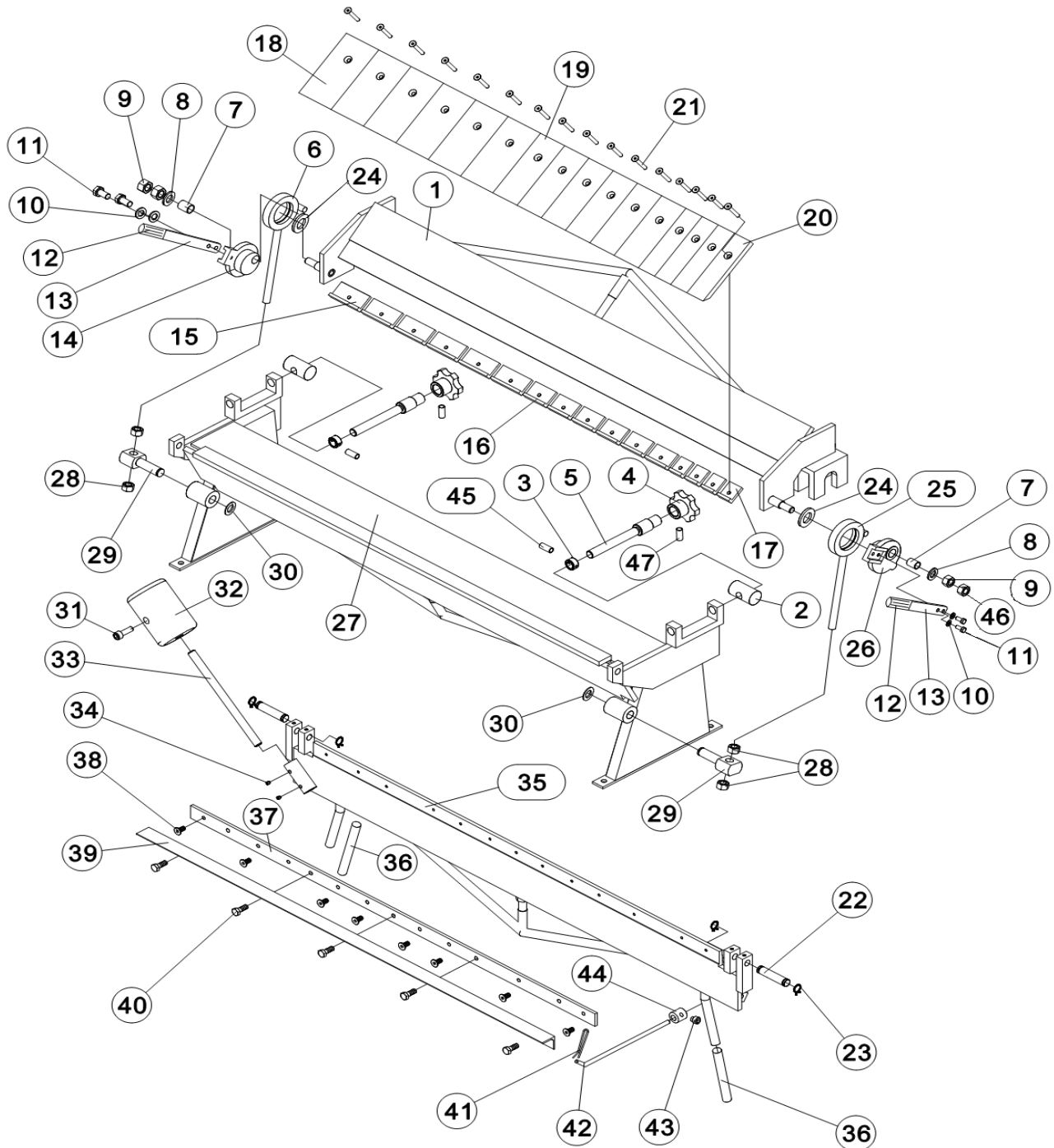
JET
427 New Sanford Road
LaVergne, Tennessee 37086
Ph.: 800-274-6848
www.jettools.com

Part No. M-754105
Edition 3 08/2018
Copyright © 2015 JET

9.0 Replacement Parts

To order parts or reach our service department, call 1-800-274-6848 Monday through Friday, 8:00 a.m. to 5:00 p.m. CST. Having the Model Number and Serial Number of your machine available when you call will allow us to serve you quickly and accurately.

9.1.1 BPB-1650 Bench Box and Pan Brake – Exploded View



9.1.2 BPB-1650 Bench Box and Pan Brake – Parts List

Index No	Part No	Description	Size	Qty
1	BPB1650-01	Hold-Down Assembly		1
2	BPB1650-02	Adjusting Screw Nut		2
3	BPF1248-33	Stop Nut		2
4	BPF1248-35	Knob		1
5	BPF1248-47	Lead Screw		1
6	BPB1650-06	Yoke Assembly (LH)		1
7	BPB1650-07	Bushing		2
8	F002650	Flat Washer	ø16xØ30x3 mm	2
9	F003088	Hex Nut	M16	2
10	F002640	Flat Washer	ø8xØ16x1.6 mm	4
11	F008785	Hex Cap Bolt	M8-1.25x16	4
12	BPB1650-12	Handgrip		2
13	BPB1650-13	Clamp Handle Assembly (includes #12)		2
14	BPB1650-14	Eccentric Block (LH)		1
15	BPB1650-15	Clamp		6
16	BPB1650-16	Clamp		6
17	BPB1650-17	Clamp		4
18	BPB1650-18	Finger 4 in.		6
19	BPB1650-19	Finger 3 in.		6
20	BPB1650-20	Finger 2 in.		4
21	F010971	Flat Head Socket Cap Screw	M8-1.25x30	16
22	BPB1650-22	Shaft		2
23	F006044	Retaining Ring, External	16 mm	4
24	BPB1650-24	Flat Washer, Special		2
25	BPB1650-25	Yoke Assembly (RH)		1
26	BPB1650-26	Eccentric Block (RH)		1
27	BPB1650-27	Base Assembly		1
28	F003127	Hex Nut	M16-2.0	4
29	BPB1650-29	Swivel Pin		2
30	F006044	Retaining Ring, External	16 mm	2
31	F009498	Hex Cap Bolt	M10-1.5x30	1
32	BPB1650-32	Counterweight		1
33	BPB1650-33	Rod		1
34	F010407	Socket Set Screw	M8-1.25x8	2
35	BPB1650-35	Apron Assembly		1
36	BPB1650-36	Pipe Handle		2
37	BPB1650-37	Bending Blade	5 in	1
38	F005402	Socket Head Cap Screw	M8-1.25x16	8
39	BPB1650-39	Angle Support		1
40	F008788	Hex Cap Bolt	M8-1.25x20	5
41	F003864	Cotter Pin	6x30 mm	1
42	BPB1650-42	Stop Rod		1
43	F010400	Socket Set Screw	M6-1.0x6	1
44	BPF1248-39	Stop Collar		1
45	BPF1248-46	Round Pin	6x30 mm	2
46	BPB1650-46	Thin Hex Nut	M16	2
47	BPF1248-45	Round Pin	4x40 mm	2
	LM000078	ID Label, BPB-1650 (not shown)		1
	LM000133	Warning Label (not shown)		1
	JET-165	JET Logo with adhesive (not shown)	165x68 mm	1

Some parts are shown for reference only, and may not be available individually.
 Non-proprietary parts, such as fasteners, can usually be found at local hardware stores, or may be ordered from JET.