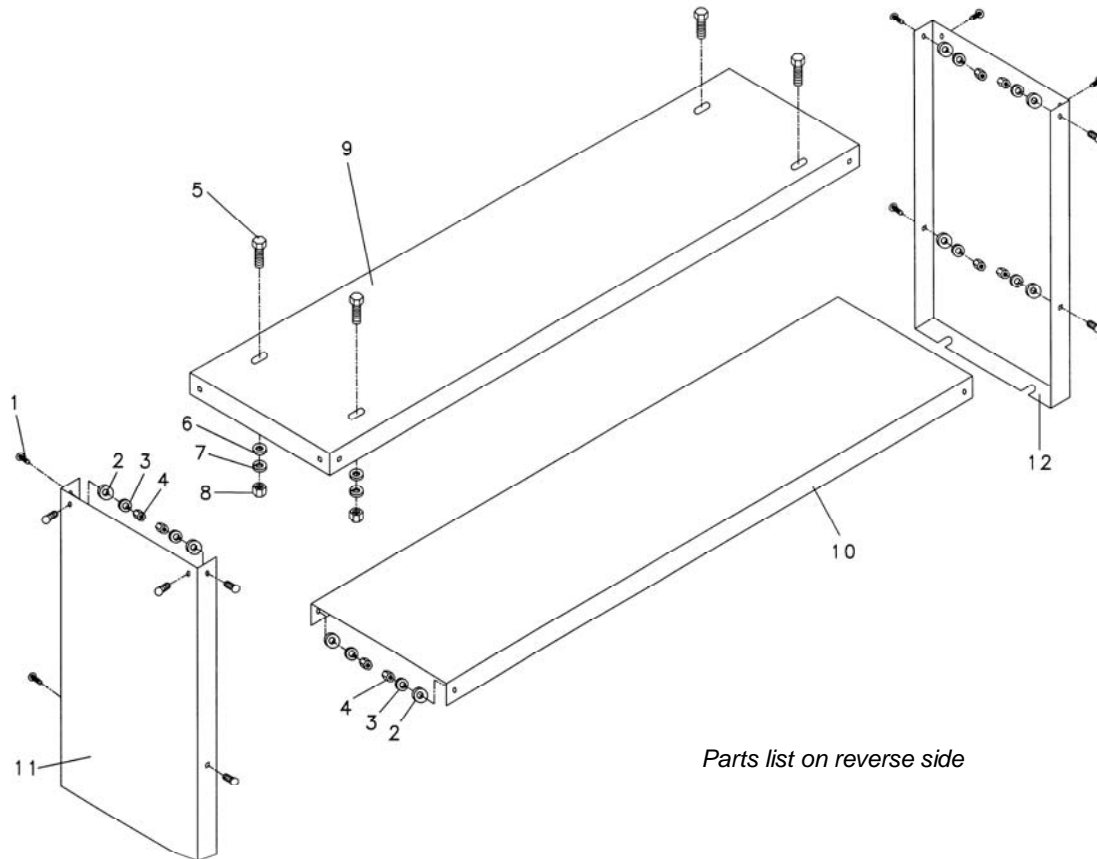




Parts List

Floor Stand for bench model Metal Forming machines



Parts list on reverse side

Specifications

Stock #	Model #	Fits	Overall Dimensions (L x W x H / in.)	Net wt. (lb.)
754200	S-48N	BP-2248N, BP-2248H, BP-1648N, BP-1648H HB-2248N, HB-2248H, HB-1648N, HB-1648H	56-1/2 x 18-1/4 x 28	85
754024	S-24N	SR-2024N, SR-2024M	30 x 14 x 28	35
754030	S-30N	SBR-30N, SBR-30M	40 x 16 x 24	45
754036	S-36N	SR-2236N, SR-2236M	42 x 14 x 28	51
754040	S-40N	SBR-40N, SBR-40M	49 x 21 x 30	82
754051	S-50N	SR-1650N, SR-1650M	68 x 22 x 30	70

Specifications were current at time of publication, but because of our policy of continuous improvement, JET reserves the right to change specifications at any time and without prior notice, without incurring obligations.

JET

427 New Sanford Road
LaVergne, Tennessee 37086
Ph.: 800-274-6848
www.jettools.com

Part No. M-754024
Revision B 08/2014

Copyright © 2014 JET, a Division of JPW Industries, Inc.

Floor Stand Parts List

To order replacement parts or reach our service department, call 1-800-274-6848 Monday through Friday (see our website for business hours). Having the Model Number and Serial Number of your machine available when you call will allow us to serve you quickly and accurately.

Index No	Part No	Description	Size	Qty
1	GB801-88	Carriage Bolt	M8x16	12
2	TS-1550061	Flat Washer	M8	12
3	TS-1551061	Lock Washer	M8	12
4	TS-1540061	Hex Nut	M8	12
5	TS-1492011	Hex Bolt S-24N	M12x25	4
	TS-1490071	Hex Bolt S-30N	M8x40	4
	TS-1492011	Hex Bolt S-36N	M12x25	4
	TS-1492051	Hex Bolt S-40N	M12x50	4
	TS-1492011	Hex Bolt S-1648N	M12x25	4
	TS-1490031	Hex Bolt S-2248N	M8x20	4
	TS-2214401	Hex Bolt S-50N	M18x40	4
6	TS-2360121	Flat Washer S-24N	M12	4
	TS-1550061	Flat Washer S-30N	M8	4
	TS-2360121	Flat Washer S-36N	M12	4
	TS-2360121	Flat Washer S-40N	M12	4
	TS-2360121	Flat Washer S-1648N	M12	4
	TS-1550061	Flat Washer S-2248N	M8	4
	TS-2360181	Flat Washer S-50N	M18	4
7	TS-1551081	Lock Washer S-24N	M12	4
	TS-1551061	Lock Washer S-30N	M8	4
	TS-1551081	Lock Washer S-36N	M12	4
	TS-1551081	Lock Washer S-40N	M12	4
	TS-1551081	Lock Washer S-1648N	M12	4
	TS-1551061	Lock Washer S-2248N	M8	4
	TS-2361181	Lock Washer S-50N	M18	4
8	TS-1540081	Hex Nut S-24N	M12	4
	TS-1540061	Hex Nut S-30N	M8	4
	TS-1540081	Hex Nut S-36N	M12	4
	TS-1540081	Hex Nut S-40N	M12	4
	TS-1540081	Hex Nut S-1648N	M12	4
	TS-1540061	Hex Nut S-2248N	M8	4
	TS-2310181	Hex Nut S-50N	M18	4
9	S24N-9	Top Plate	30" x 14" x 2"	1
	S30N-9	Top Plate	35" x 16.2" x 2"	1
	S36N-9	Top Plate	43.3" x 14" x 2"	1
	S40N-9	Top Plate	47.6" 19.3" x 2"	1
	S48N-9	Top Plate	56.5" x 18.1" x 2"	1
	S50N-9	Top Plate	57.5" x 15" x 2"	1
10	S24N-10	Shelf Plate	29.6" x 13.7" x 2"	1
	S30N-10	Shelf Plate	34.8" x 15.9" x 2"	1
	S36N-10	Shelf Plate	43" x 13.7" x 2"	1
	S40N-10	Shelf Plate	47.3" x 19" x 2"	1
	S48N-10	Shelf Plate	56.2" x 17.8" x 2"	1
	S50N-10	Shelf Plate	57.2" x 14.7" x 2"	1
11	S24N-11	Left Side Plate	27.6" x 13.8" x 2"	1
	S30N-11	Left Side Plate	27.6" x 16.2" x 2"	1
	S36N-11	Left Side Plate	27.6" x 13.8" x 2"	1
	S40N-11	Left Side Plate	27.6" x 19.1" x 2"	1
	S48N-11	Left Side Plate	27.6" x 18" x 2"	1
	S50N-11	Left Side Plate	27.6" x 14.8" x 2"	1
12	S24N-12	Right Side Plate	27.6" x 13.8" x 2"	1
	S30N-12	Right Side Plate	27.6" x 16" x 2"	1
	S36N-12	Right Side Plate	27.6" x 13.8" x 2"	1
	S40N-12	Right Side Plate	27.6" x 19.1" x 2"	1
	S48N-12	Right Side Plate	27.6" x 18" x 2"	1
	S50N-12	Right Side Plate	27.6" x 14.8" x 2"	1