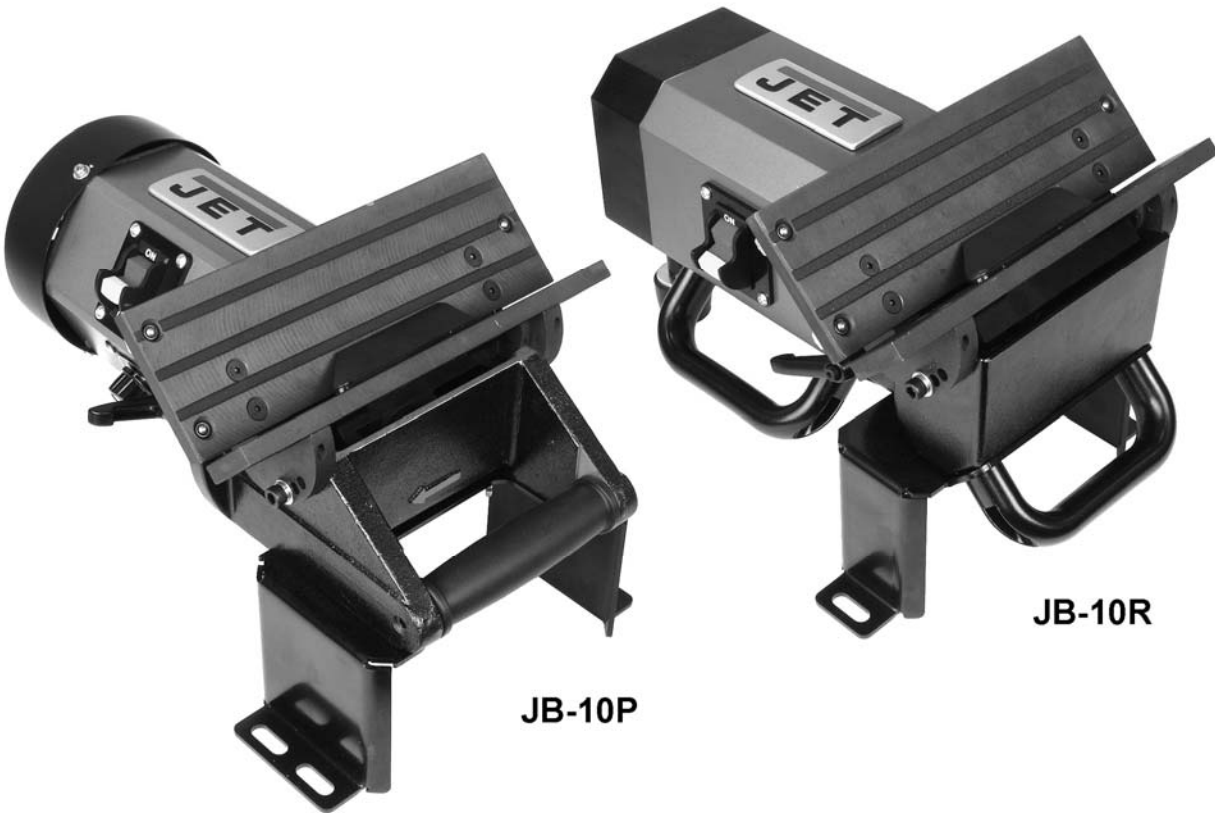




# Operating Instructions and Parts Manual Portable Plate Beveling Machine

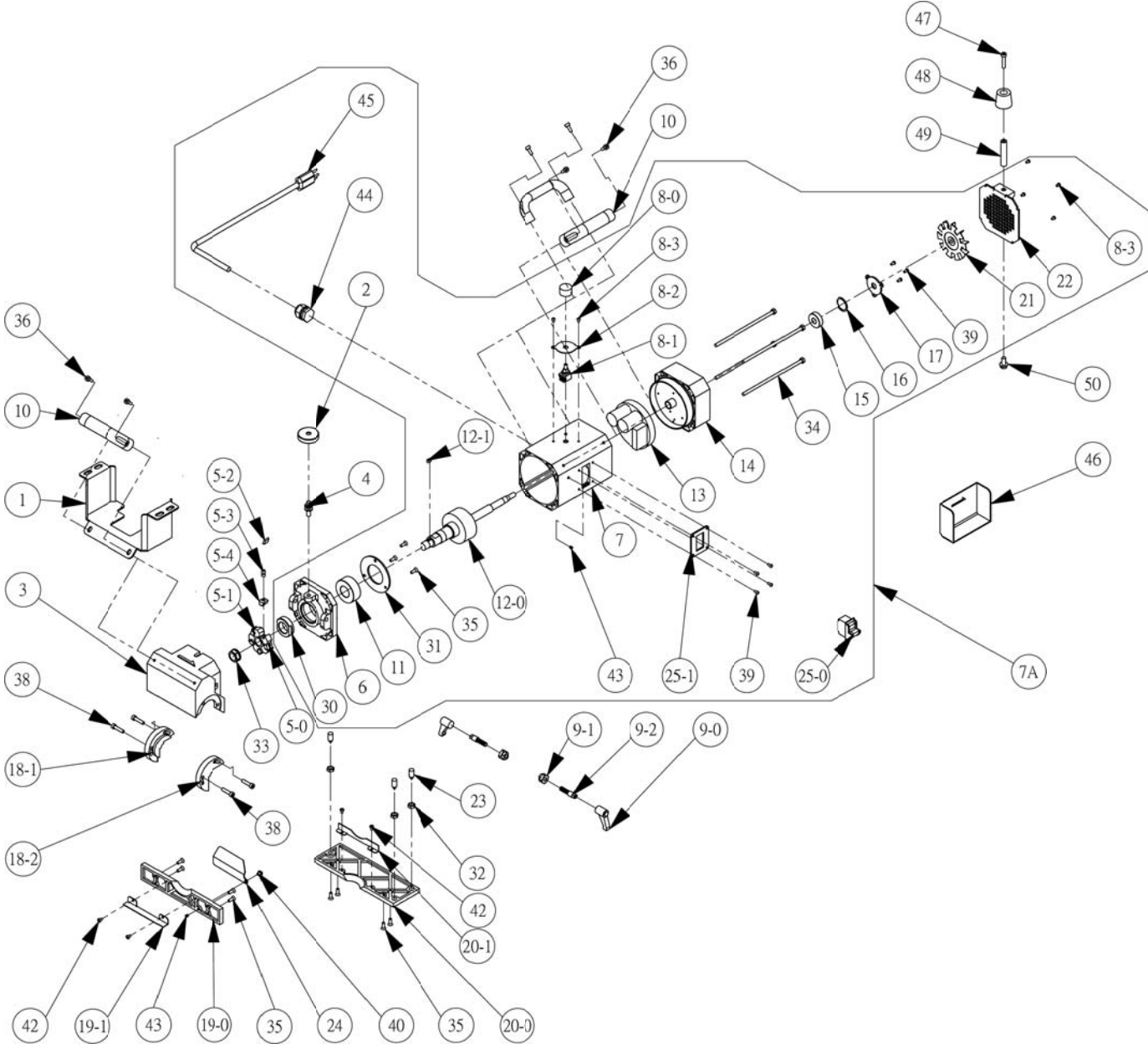
Models JB-10P, JB-10R



**JET**  
427 New Sanford Road  
LaVergne, Tennessee 37086  
Ph.: 800-274-6848  
www.jettools.com

**Part No. M-751005**  
Edition 1 10/2017  
Copyright © 2017 JET

11.2.1 JB-10R Portable Plate Beveling Machine – Exploded View



## 11.2.2 JB-10R Portable Plate Beveling Machine – Parts List

Index No	Part No	Description	Size	Qty
1	JB-10R-01	Pedestal		1
2	JB-10R-02	Depth Adjust Nut		1
3	JB-10R-03	Cutter Cover		1
4	JB-10R-04	Depth Adjust Screw	M8	1
5	JB-10P-05	Cutterhead Set (with Blade Inserts)		1
5-1	JB-10P-5-1	Cutterhead (no Blade Inserts)		1
5-2	751015	Blade Inserts, Radiused (set of 5)	R3	1
	751017	Blade Inserts, Radiused (set of 5)	R5	1
5-3	JB-10P-5-3	Cutterhead Screw		5
5-4	JB-10P-5-4	Blade Press Block		5
6	JB-10R-06	Front Motor Endshield		1
7	JB-10R-07	Motor Housing with Stator Winding		1
7A	JB-10R-7A	Motor Assembly		1
8	JB-10P-08	Speed Adjust Nut		1
8-1	JB-10P-8-1	Variable Resistor		1
8-2	JB-10P-8-2	VR Plate		1
8-3	F009923	Socket Head Button Screw	M4-0.7x6	6
9	JB-10P-09	Lock Handle		2
9-1	JB-10R-9-1	Side Washer		2
9-2	JB-10R-9-2	Lock Handle Screw	M8	2
10	JB-10P-10	U-Handle		3
11	BB-5205ZZ	Ball Bearing	5205ZZ	1
12	JB-10P-12	Motor Shaft		1
12-1	KEY5510	Flat Key, Dbl Rd Hd	5x5x10 mm	1
13	JB-10R-13	Motor Driver		1
14	JB-10R-14	Rear Motor Endshield		1
15	BB-6201ZZ	Ball Bearing	6201ZZ	1
16	JB-10P-16	O-Ring	2532	1
17	JB-10P-17	Bearing Cover		1
18-1	JB-10P-18-1	Guide Base B		1
18-2	JB-10P-18-2	Guide Base A		1
19	JB-10P-19	Small Guide Plate		1
19-1	JB-10R-19-1	Small Side Plate		1
20	JB-10P-20	Large Guide Plate		1
20-1	JB-10R-20-1	Large Side Plate		1
21	JB-10P-21	Fan		1
22	JB-10R-22	Fan Cowl		1
23	JB-10P-23	Steel Bead Screw	M10	3
24	JB-10P-24	Guard Plate		1
25	JB-10P-25	Power Switch		1
25-1	JB-10P-25-1	Switch Plate		1
30	JB-10P-30	Bearing ID Nut		1
31	JB-10P-31	Bearing OD Ring		1
32	TS-1540071	Hex Nut	M10-1.5	3
33	TS-154010	Hex Nut	M16-1.5	1
34	JB-10P-34	Hex Cap Screw	M6-1.0x170	4
35	F010988	Flat Head Socket Screw	M5-0.8x14	11
36	F005669	Socket Head Cap Screw	M5-0.8x14	6
38	TS-1503061	Socket Head Cap Screw	M6-1.0x25	4
39	F001175	Socket Head Button Screw	M4-0.7x8	7
40	F009919	Socket Head Button Screw	M5-0.8x6	1
42	F009923	Socket Head Button Screw	M4-0.7x6	4
43	TS-1522011	Socket Set Screw	M5-0.8x5	2
44	JB-10P-44	Cable Gland	MG20A	1
45	JB-10P-45	Cable with Plug	3x14AWG SJT 300V	1
46	JB-10P-46	Push Plate		1
47	TS-1503071	Socket Head Cap Screw	M6-1.0x30	1
48	JB-10R-48	Rubber Pad		1
49	TS-1522011	Prop Stand		1

<b>Index No</b>	<b>Part No</b>	<b>Description</b>	<b>Size</b>	<b>Qty</b>
50	TS-1490021	Hex Cap Screw	M8-1.25x16	1
	LM000329	Warning Label, JB-10R (not shown)	60x35mm	2
	LM000326	ID Label, JB-10R (not shown)		1
	JET-92	JET Logo (not shown)	92x38mm	1