

Metal Detector - F 034 K82 201 - MT101

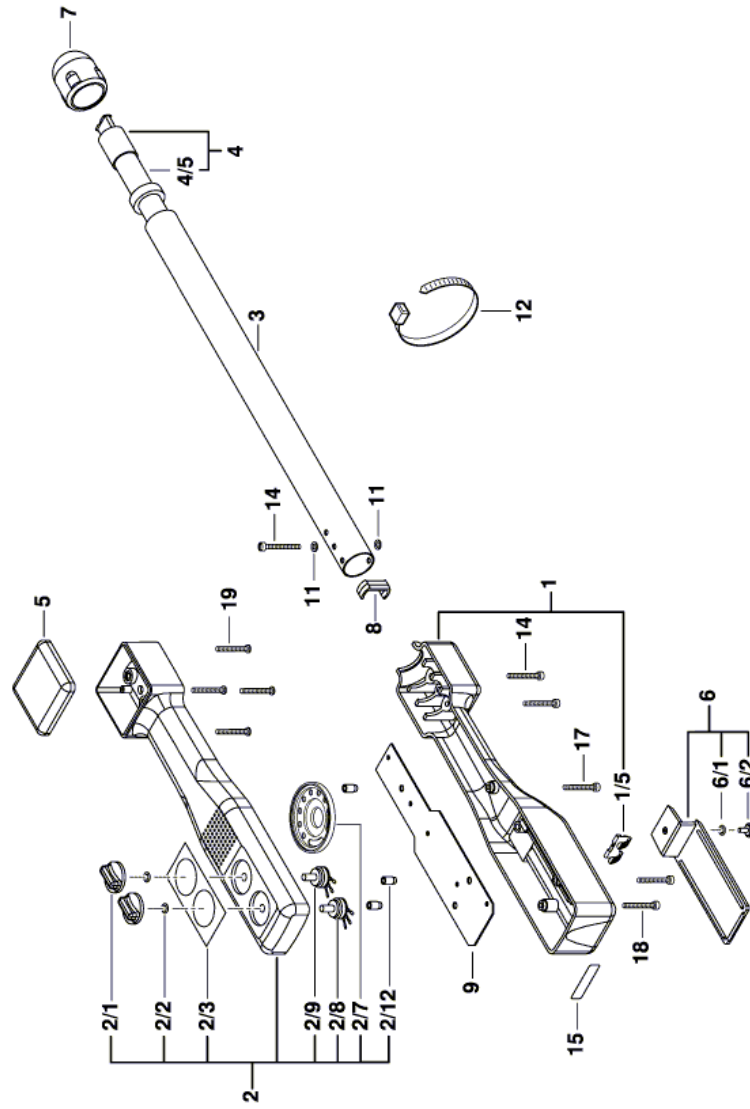
www.powertools-aftersaleservice.com



BOSCH

Item	Part Number	Description	Illustration	Price	Quantity	Price Group
1	2 610 A04 505	Bottom	1	-,-	1	32
1/5	2 610 A04 402	battery clip	1	-,-	2	11
2	2 610 A04 498	Upper Housing	1	-,-	1	42
2/1	2 610 A04 404	Knob	1	-,-	2	21
2/2	2 610 A04 444	O-Ring	1	-,-	2	10
2/3	2 610 A14 645	Label	1	-,-	1	15
2/7	2 610 A04 435	Loudspeaker 8 Ohm	1	-,-	1	29
2/8	2 610 A04 405	Electronic Module	1	-,-	1	21
2/9	2 610 A04 521	Switch	1	-,-	1	22
2/12	2 610 A04 441	Spacer	1	-,-	3	10
3	2 610 A04 418	Tube	1	-,-	1	33
4	2 610 A04 473	Tube	1	-,-	1	53
4/5	2 610 A04 375	Rubber	1	-,-	1	11
5	2 610 A04 522	Cover	1	-,-	1	23
6	2 610 A04 534	Battery Cover	1	-,-	1	40
6/1	2 610 A04 338	O-Ring	1	-,-	1	10
6/2	2 610 A04 403	Screw	1	-,-	1	16
7	2 610 A04 572	Bumper	1	-,-	1	21
8	2 610 A04 616	Cable Clip	1	-,-	1	15
9	2 610 A04 540	Display	1	-,-	1	57
11	2 610 A04 519	Contact strap	1	-,-	2	10
12	2 610 A04 482	Cable tie	1	-,-	1	10
14	2 610 A04 442	Screw	1	-,-	3	11
15	2 610 A04 517	Label	1	-,-	1	12
17	2 610 A04 486	Screw	1	-,-	1	10
18	2 610 A04 520	Screw	1	-,-	2	11
19	2 610 A04 484	Screw	1	-,-	4	10

Illustration - Type E



F 034 K82 201
Stand }
Issue } 16-07-20

Fig. /Abb. 1

Anderungen vorbehalten
Modifications reserved
Modificacions reservées
Sinvo modificaciones

Information subject to change without further notice.