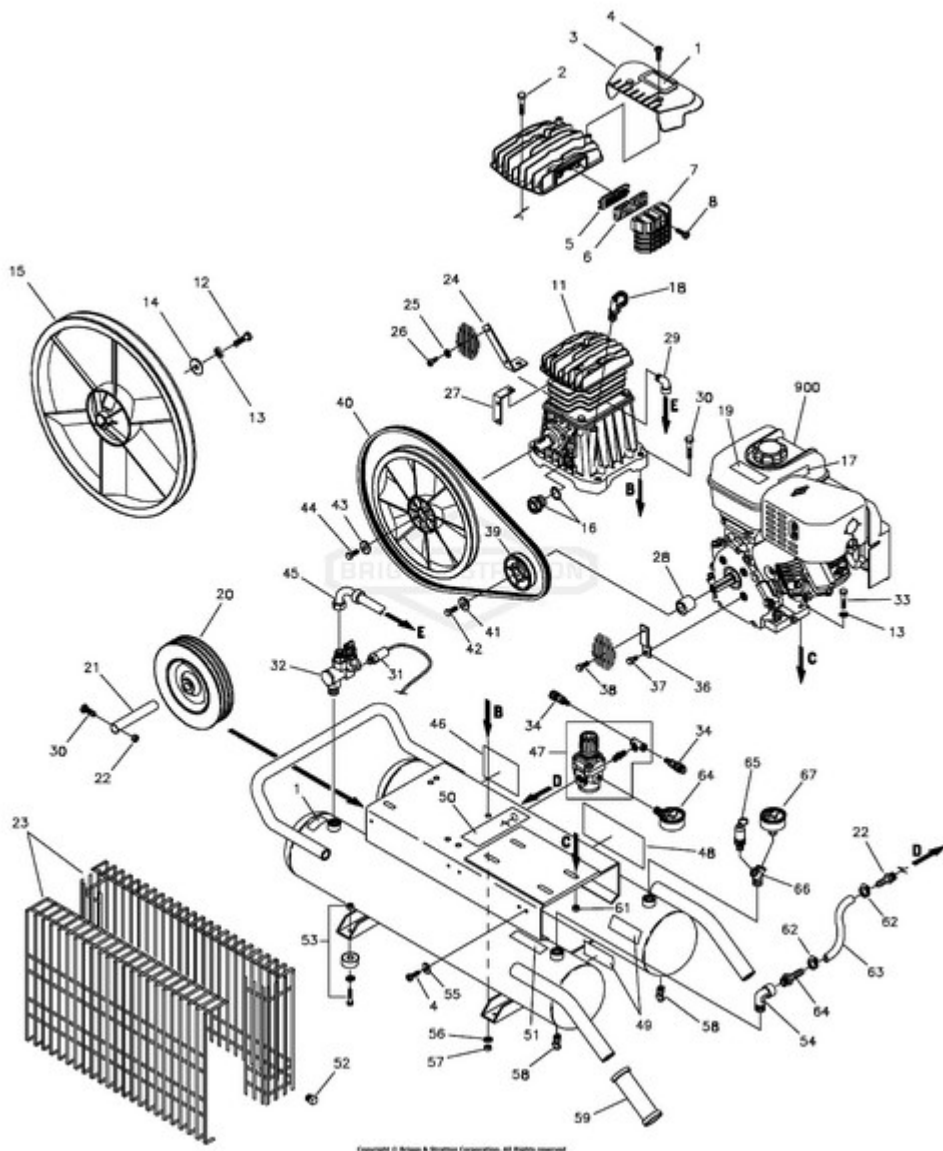


### 074010-0 - 11.0 CFM 8 Gal - Air Compressor



Ref #	Part #	Description	Qty	Context Note	Foot Note
1	199175GS	Decal, Hot Surface			
2		Screw, M8 x 45		(Purchase locally)	
3	200699GS	Conveyor, Air			
4		PPHMS, 5 x 12		(Purchase locally)	
5	201389GS	Plate, Filter			
6	200697GS	Element, Filtering			
7	201390GS	Filter, Intake			
8		PPHMS, 4 x 18		(Purchase locally)	
9	200698GS	Gasket			
10	201382GS	Kit, Valve Plate Set			
11	201400GS	Assy, Pump			
12		HHCS, M8 x 25		(Purchase locally)	
13		Washer, M8, Shakeproof, Int		(Purchase locally)	
14		Washer		(Purchase locally)	
15	200702GS	Flywheel			
16	200686GS	Oil Level Sight Glass			
17	200538GS	Decal, Warning, Hot Muffler			
18	201398GS	Plug, Breather Pipe			
19	200537GS	Decal, Warning, Fuel Vapors			
20	201061GS	Wheel			
21	201062GS	Pin, Wheel			
22		Nut Lock M6		(Purchase locally)	
23	200696GS	Guard, Belt			
24	201401GS	Plate			
25		Washer, M5		(Purchase locally)	
26		Screw, Self Threading, M5 x 14		(Purchase locally)	
27	201402GS	Spacer			
28	201405GS	Spacer			
29	201404GS	Connector, Elbow			
30		HHCS, M10 x 45		(Purchase locally)	
31	201060GS	Accelerator, Pneumatic			
32	201064GS	Valve, Auto Unloading			
33		HHCS, M8 x 45		(Purchase locally)	
34	200677GS	Coupler, Quick Connect			
35	201420GS	Guage, Pressure			
36	201403GS	Plate			
37		HHCS, M8 x 16		(Purchase locally)	
38		SHCS, M6 x 16		(Purchase locally)	
39	200695GS	Pulley			
40	200693GS	Belt			

Ref #	Part #	Description	Qty	Context Note	Foot Note
41		Washer		(Purchase locally)	
42		HHCS, 5/16 x 25		(Purchase locally)	
43		Washer		(Purchase locally)	
44		Screw		(Purchase locally)	
45	201063GS	Infeed Tube			
46	199173GS	Decal, Warning			
47	201413GS	Assy, Pressure Reducer			
48	200535GS	Decal, Warning			
49	199739GS	Decal, Tank Drain			
50	200775GS	Decal, Starting Instructions			
51	200536GS	Decal, Warning, Moving Parts			
52	201409GS	Clamp, Belt Guard			
53	192310GS	Kit, Vibration Mount		Includes Qty Of 2	
54	201419GS	Connector, Elbow			
55		Washer, M6		(Purchase locally)	
56		Washer, M10		(Purchase locally)	
57		Nut, M10		(Purchase locally)	
58	200675GS	Tap, Discharge			
59	201411GS	Handle, Rubber			
60	201408GS	Fitting, Hose Tail			
61		Nut, M8 with Washer		(Purchase locally)	
62		Clamp, Hose		(Purchase locally)	
63	201418GS	Hose			
64	201417GS	Fitting, Hose Tail			
65	201414GS	Valve, Safety			
66	201416GS	Adapter			
67	201415GS	Guage, Pressure			
900		Engine		Contact Engine Manufacturer	
	203721GS	Manual, Operator's		Parts Not Illustrated	
	200774GS	Decal, Unloader Valve		Parts Not Illustrated	
	201770GS	Oil, Compressor		Parts Not Illustrated	
	203245GS	Kit, Decal, Srv		Parts Not Illustrated	
	BB3061BGS	Oil Bottle, 18oz Engine		Parts Not Illustrated	