



#737009 Fine Fence Adjusters for JRL-912

Assembly and operation

⚠ WARNING: This product can expose you to chemicals including lead which is known to the State of California to cause cancer and birth defects or other reproductive harm. For more information go to <http://www.p65warnings.ca.gov>.

⚠ WARNING: Drilling, sawing, sanding or machining wood products generates wood dust and other substances known to the State of California to cause cancer. Avoid inhaling dust generated from wood products or use a dust mask or other safeguards for personal protection.

Wood products emit chemicals known to the State of California to cause birth defects or other reproductive harm. For more information go to <http://www.p65warnings.ca.gov/wood>.

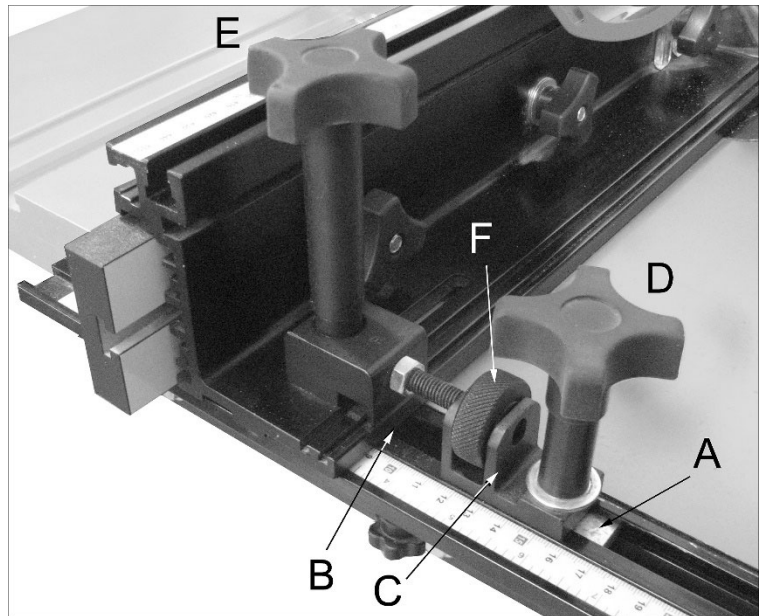
Contents:

- 2 Handles
- 2 Adjuster assemblies (L and R)
- 2 Long guide bars
- 2 Short guide bars

Refer to the illustration at right, and the exploded view on page 2

1. Unscrew and remove the tall handles (E) from the router fence.
2. Lay the short guide bar (A) and long guide bar (B) into the channel. Position the adjuster (C), and install short (D) and tall handle (E) through the adjuster assembly and into the threaded holes in the guide bars.

NOTE: There is a right hand and a left hand adjuster; mount accordingly as viewed from the front of the router lift.
3. To operate, loosen all four handles and move fence to approximate position relative to the scales.
4. On one end of the fence, tighten the short handle (D), and rotate knurled collar (F) for final positioning of the fence. Tighten the tall handle (E) on that end.
5. Repeat for the opposite end of fence.
6. Make sure the tall handles on the fence are securely tightened before operating the router.



JET

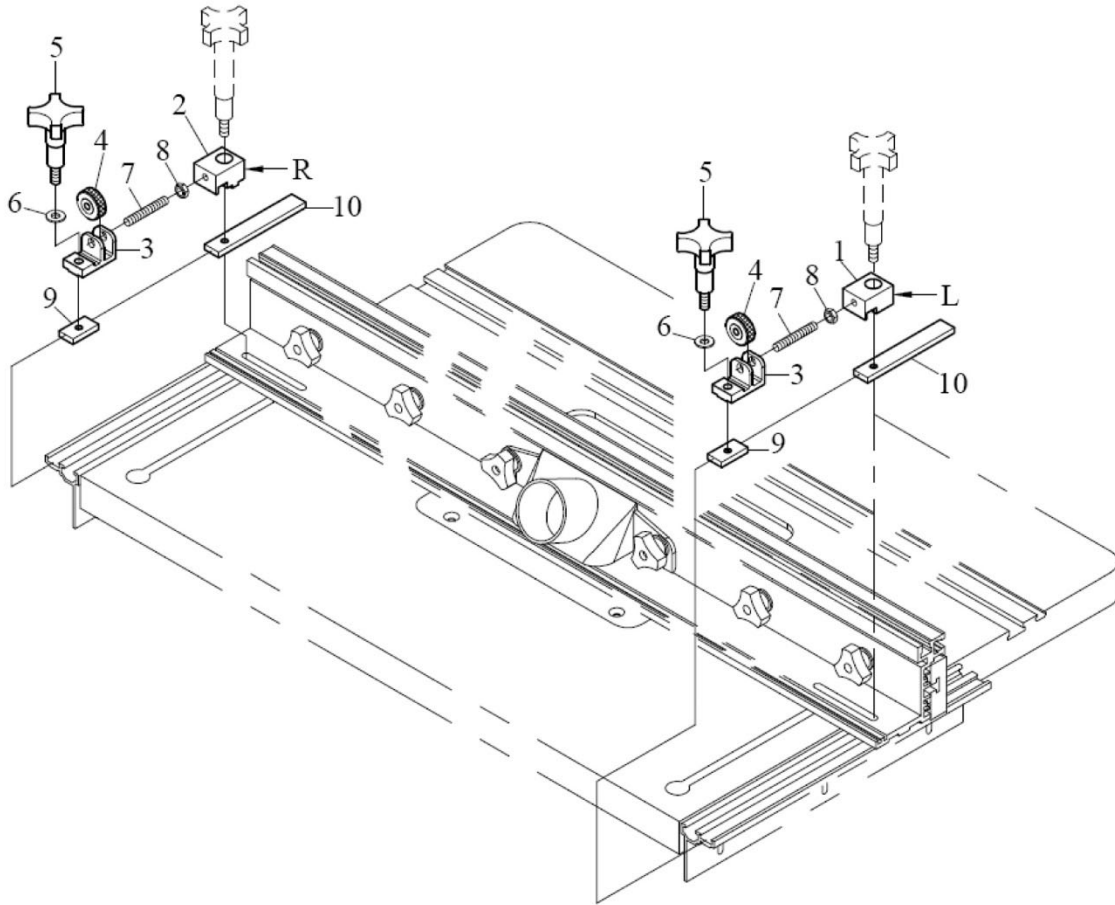
427 New Sanford Road
LaVergne, Tennessee 37086
Ph.: 800-274-6848
www.jettools.com

Part No. M-737009

Edition 1 02/2020

Copyright © 2020 JET, a Division of JPW Industries, Inc.

Replacement Parts



Index No.	Part No.	Description	Size	Qty
1	737009-1	Adjuster Base (LH)		1
2	737009-2	Adjuster Base (RH)		1
3	737009-3	Bracket		2
4	737009-4	Knob		2
5	737009-5	Lock Handle		2
6	TS-1550061	Flat Washer	M8	2
7	JTG10-27	Set Screw	M8x50	2
8	TS-1540061	Hex Nut	M8	2
9	737009-9	Short Guide Bar		1
10	737009-10	Long Guide Bar		1

To order parts or reach our service department, call 1-800-274-6848 Monday through Friday, 8:00 a.m. to 5:00 p.m. CST. Having the Model Number and Serial Number of your unit available when you call will allow us to serve you quickly and accurately.

Non-proprietary parts, such as fasteners, can be found at local hardware stores, or may be ordered from JET. Some parts are shown for reference only, and may not be available individually.