

**Type:** RSG, EX18b (50Hz, 400V)  
**Part no.:** 73600700406

<b>Item</b>	<b>Part no.</b>	<b>Designation</b>	<b>Quantity</b>
10	31207063009	Housing	1
15	31207063030	Gearbox	1
20	43043001009	Screw	1
30	43035032065	Cylinder head screw	6
40	32419057000	Cover	1
50	40612015004	Sealing ring	1
60	32624012022	Disc 0.1	2
60	32624012038	Disc 0.3	2
70	41723002010	Inclined ball bearing	2
80	41701016011	Grooved ball bearing	1
90	32408211003	Disc	1
100	42616022006	Circlip	1
110	33804011006	Gear-wheel	1
120	43035009044	Cylinder head screw	6
130	40608000008	Sealing ring	1
140	40612018009	Sealing ring	1
150	32601165003	Ring	1
160	32601167000	Ring	1
170	32624070024	Disc	2
180	32624080023	Disc	2
190	32601168008	Ring	1
200	32601166006	Ring	1
220	40612021004	Sealing ring	1
230	32419062006	Cover	1

**Type:** RSG, EX18b (50Hz, 400V)  
**Part no.:** 73600700406

Item	Part no.	Designation	Quantity
240	32408452000	Disc	1
250	43035031062	Cylinder head screw	3
260	41713006007	Tapered roller bearing	2
270	33805006000	Worm	1
280	32601169002	Ring	1
290	32624071039	Disc 0.3	2
290	32624071023	Disc 0.1	2
300	41713008009	Tapered roller bearing	2
310	43035086069	Cylinder head screw	6
320	32419060004	Cover	1
330	41723001017	Inclined ball bearing	2
340	32624084027	Disc 0.1	2
340	32624084011	Disc 0.05	1
340	32624084033	Disc 0.3	2
350	42008021008	Nut	1
360	32601170004	Ring	1
370	30905022007	Cup spring	8
380	40201041003	Straight pin	1
390	32601171003	Ring	1
400	33807013000	Worm	1
410	41701222016	Grooved ball bearing	1
420	32624019027	Disc 0.1	8
420	32624019011	Disc 0.05	1
430	40612022007	Sealing ring	1

**Type:** RSG, EX18b (50Hz, 400V)

**Part no.:** 73600700406

<b>Item</b>	<b>Part no.</b>	<b>Designation</b>	<b>Quantity</b>
440	32419056006	Cover	1
450	33406099006	Shaft	1
460	40221044000	Feather key	2
470	30503064001	Sleeve	1
480	40612016007	Sealing ring	1
490	32408191009	Disc	1
500	32624072032	Disc 0.3	2
500	32624072026	Disc 0.1	2
510	40608026009	Sealing ring	2
520	41723003014	Inclined ball bearing	2
530	43035005045	Cylinder head screw	12
540	40612019003	Sealing ring	2
550	32419061003	Cover	2
560	41701017015	Grooved ball bearing	1
590	33406098002	Shaft	1
600	40221050005	Feather key	1
620	42003009007	Hex nut	1
630	32408188004	Disc	2
640	32408187006	Disc	3
650	33806003000	Worm	1
660	33807009002	Worm	1
670	33806005002	Worm	1
680	33807011003	Worm	1
710	32433027008	Plate	1

**Type:** RSG, EX18b (50Hz, 400V)  
**Part no.:** 73600700406

Item	Part no.	Designation	Quantity	
720	32715112003	Mounting shaft	1	9
725	43033083066	Cylinder head screw	3	9
730	30520068017	Delivery fixture	1	9
740	32715069041	Clamping unit	2	9
750	43048054109	Hexagon socket screw	4	9
760	42401017104	Disc	4	9
770	32415059008	Disc	4	9
780	32715115009	Hook and loop wheel	4	9
790	30217317004	Bolt	2	9
800	33406279012	Hinge	2	9
810	30501340005	Sleeve	2	9
820	42616023000	Circlip	6	9
830	32715118013	Crossbar	1	9
840	43033083066	Cylinder head screw	23	9
850	30217213009	Bolt	1	9
860	30217316000	Bolt	1	9
870	41711021008	Inclined ball bearing	4	9
880	32408378007	Disc	2	9
890	32715117006	Disc	2	9
900	32715122002	Sleeve	2	9
910	32715116002	Hook and loop wheel	2	9
920	43035097059	Cylinder head screw	8	9
930	32408374008	Disc	2	9
940	43001041105	Hexagon socket screw	2	9

**Type:** RSG, EX18b (50Hz, 400V)  
**Part no.:** 73600700406

<b>Item</b>	<b>Part no.</b>	<b>Designation</b>	<b>Quantity</b>	<b>Price</b>
950	32429120000	Cover	1	\$
970	43035037068	Cylinder head screw	3	\$
980	32715113016	Pair of side plates	1	\$
990	30240361010	Crossbar	1	\$
1000	42401020139	Disc	2	\$
1010	42001034120	Hex nut	2	\$
1020	33021098000	Thread bolt	2	\$
1030	42616013001	Circlip	2	\$
1040	33406283010	Shaft	1	\$
1050	32715120000	Disc	1	\$
1060	42616044006	Circlip	1	\$
1070	33406336000	Shaft	1	\$
1080	32408376005	Disc	2	\$
1090	30501339003	Sleeve	1	\$
1100	30509052000	Hex nut	1	\$
1110	32715121009	Disc	1	\$
1120	43012051122	Screw	6	\$
1130	30217314003	Bolt	1	\$
1140	43033084045	Cylinder head screw	1	\$
1150	33021097002	Thread bolt	1	\$
1160	30509019010	Hinge	1	\$
1170	31810234000	Safety hood	1	\$
1180	43007059080	Stud bolt	1	\$
1190	42401019085	Disc	1	\$

**Type:** RSG, EX18b (50Hz, 400V)  
**Part no.:** 73600700406

<b>Item</b>	<b>Part no.</b>	<b>Designation</b>	<b>Quantity</b>
1200	32170002005	Lever	1
1210	32215103069	Information sign	1
1220	40204001009	Rivet	6
1230	32215026007	Information sign	1
1240	32215104067	Information sign	1
1250	54399005150	N.A.	1
1260	30723057000	N.A.	1
1280	30707555010	Cable with plug	1
1290	30706354010	Cable	1
1300	30732024017	Switch	1
1310	32436060002	Flange	1
1320	41701010010	Grooved ball bearing	1
1330	43035048087	Cylinder head screw	9
1340	33669025002	Gear-wheel	1
1350	42402010082	Disc	1
1360	43033077088	Cylinder head screw	1
1370	33811066000	Shaft, toothed	1
1380	32436061001	Flange	1
1385	40612017001	Sealing ring	1
1390	42401019085	Disc	1
1400	40608062006	Sealing ring	1
1430	42001039065	Hex nut	4
1440	42439005068	Lock washer M6	4
1450	42401018069	Disc	4

**Type:** RSG, EX18b (50Hz, 400V)  
**Part no.:** 73600700406

<b>Item</b>	<b>Part no.</b>	<b>Designation</b>	<b>Quantity</b>
1460	43033074065	Cylinder head screw	4
1470	30732024008 ↓ 30732028010	Switch 2-pol.	1
1495	32715055021	Planetary gear	1
1500	32715055015	Planetary carrier	1
1510	41715016004	Needle cage	2
1520	33613071004	Gear-wheel	2
1530	43033064066	Cylinder head screw	1
1540	32402002000	Disc	1
1550	40242017000	Pin	2
1610	43035029061	Cylinder head screw	1
1620	32402001007	Disc	1
1630	30101026001	Clutch part	1
1640	40221018002	Feather key	1
1650	40612020005	Sealing ring	1
1660	31602087007	Bush	2
1670	32715114005	Bearing piece	1
1680	30520068008	Pipe	1
1690	30606008008	Ring	1
1700	33406146004	Thread bolt	1
2050	40612017001	Sealing ring	2
3000	32715069013	Clamping sleeve	1
3010	32715071005	Bolt	1
3020	30905023001	Cup spring	18

**Type:** RSG, EX18b (50Hz, 400V)  
**Part no.:** 73600700406

<b>Item</b>	<b>Part no.</b>	<b>Designation</b>	<b>Quantity</b>
3030	32601172006	Ring	3
3040	40247005009	Pin	1
3050	43040004165	Ring bolt	1
3060	32624078049	Disc	4
3070	42616048005	Circlip	1
3080	43040005004	Ring bolt	1
5100	30702041014	Switching box	1
5110	32715025009	Extension	2
5120	42001007053	Hex nut	4
5130	42439004051	Lock washer M5	4
5140	43002058056	Cylinder head screw	4
5150	42402006059	Disc	8
5160	32217376065	Information sign	1
5170	30702041005	Switch	1
5180	30230054022	Clamp	2
5185	30230054038	Handle	2
5200	33901031001	Tool case	1
5300	32122007017	Crank	1
5400	63305013002	Wedge	5
5420	62901016002	Jaw spanner SW46	1
5430	62903010006	Single head wrench	1
5440	62911010000	Ring spanner 17x19	1
5450	62906014000	Pipe socket wrench	1
5460	32174009001	Wrist strap	1



**Type:** RSG, EX18b (50Hz, 400V)

**Part no.:** 73600700406

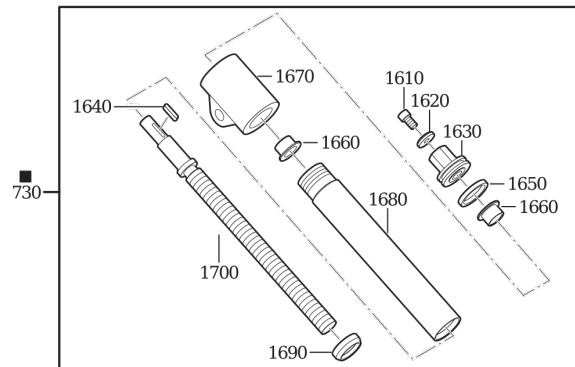
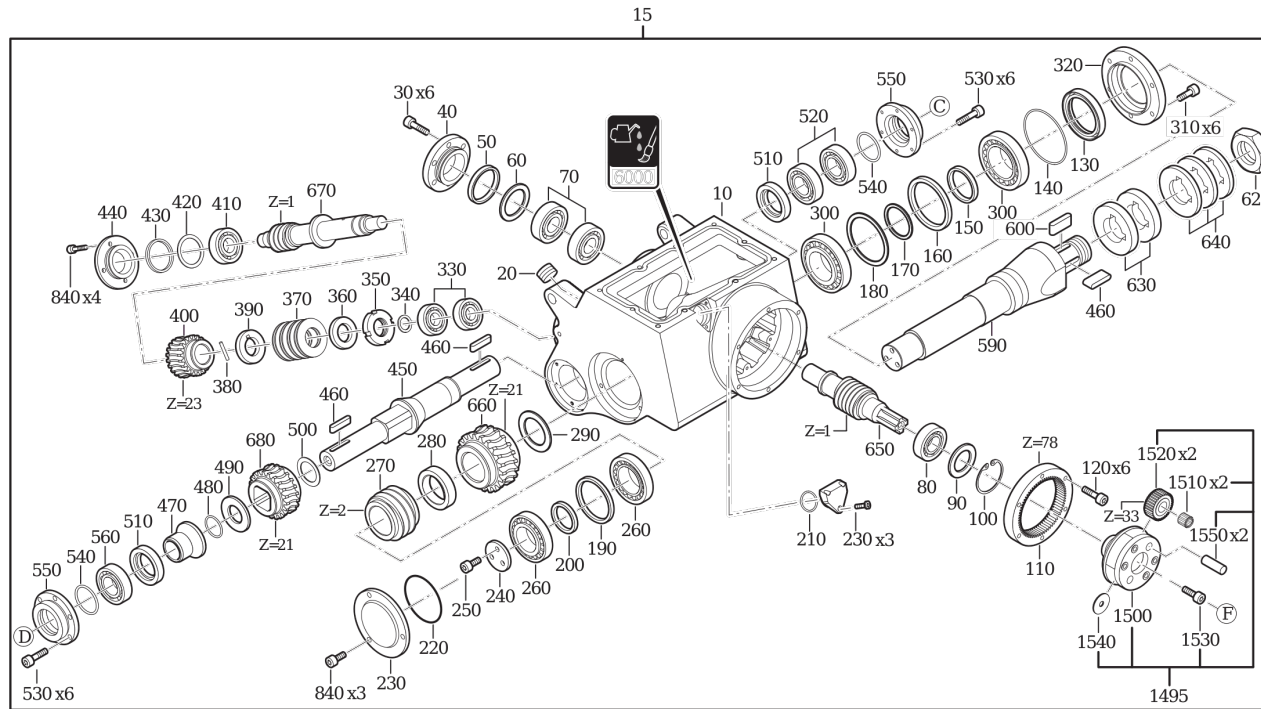
---

<b>Item</b>	<b>Part no.</b>	<b>Designation</b>	<b>Quantity</b>
5470	32174010003	Wrist strap	1
5500	30231029002	ROLLER CHAIN	10
5510	30217216004	Bolt	20
5520	42634020005	Circlip	40

Type:  
Part no.:

RSG, EX18b (50Hz, 400V)  
73600700406

7 360 06 - RSGEx 18a  
7 360 07 - RSGEx 18b

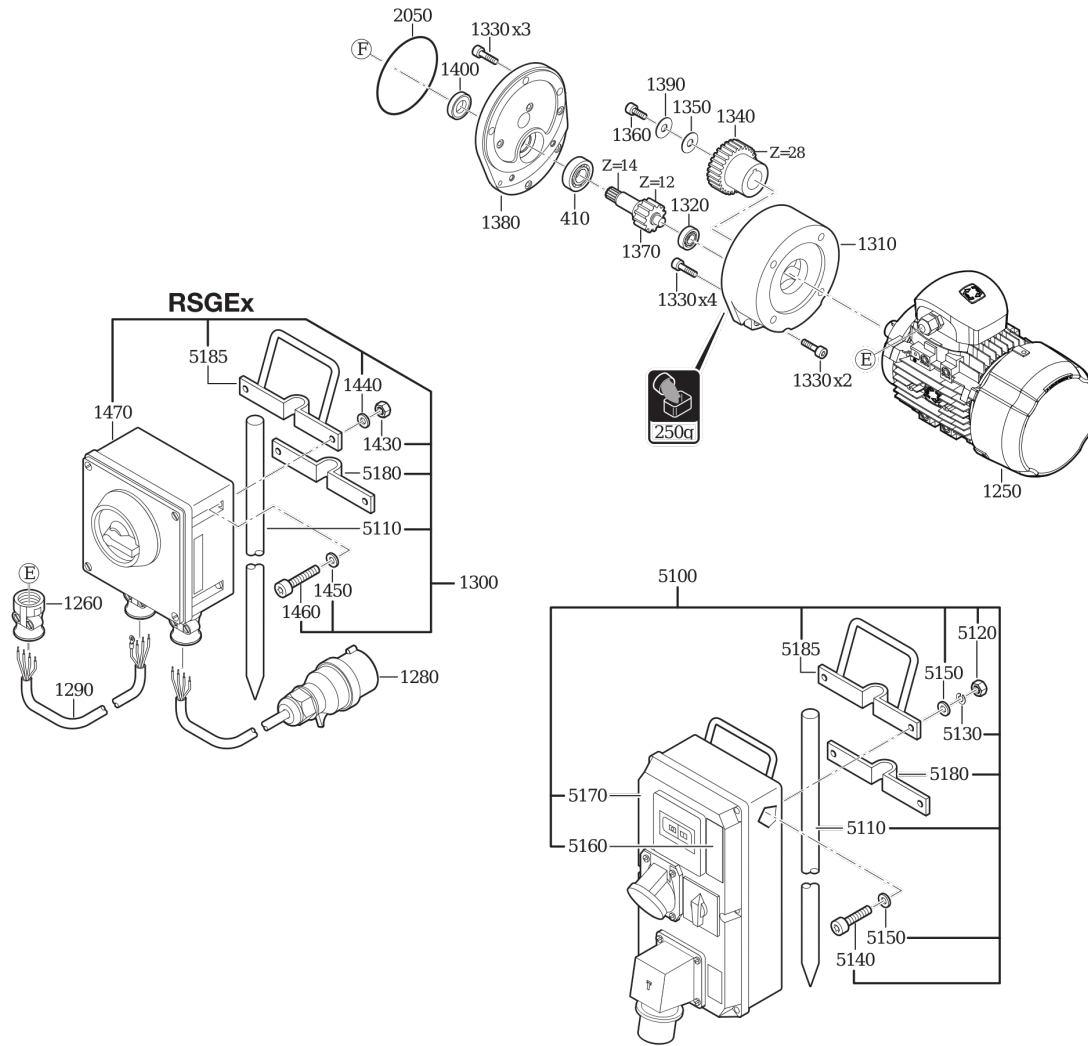




**Type:**  
**Part no.:**

RSG, EX18b (50Hz, 400V)  
73600700406

7 360 06 - RSGEx 18a  
7 360 07 - RSGEx 18b



**Type:**  
**Part no.:**

RSG, EX18b (50Hz, 400V)  
73600700406

7 360 06 - RSGEx 18a  
7 360 07 - RSGEx 18b

