

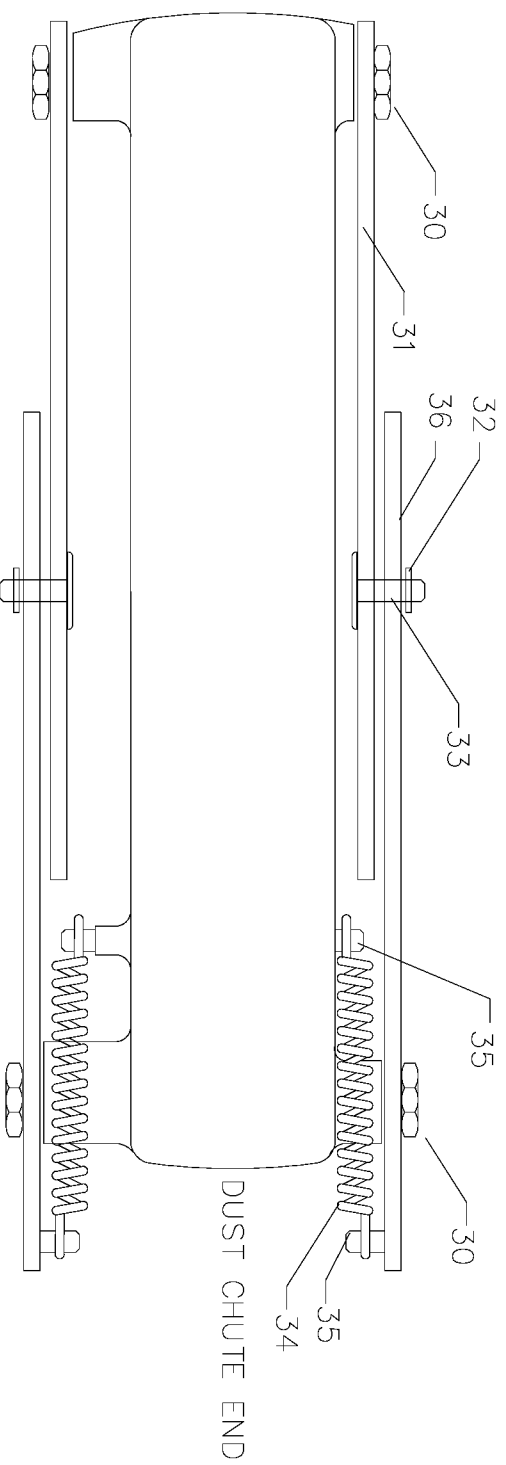


**RETRACTABLE LEAF GUARD
FOR 18" RADIAL ARM SAWS**

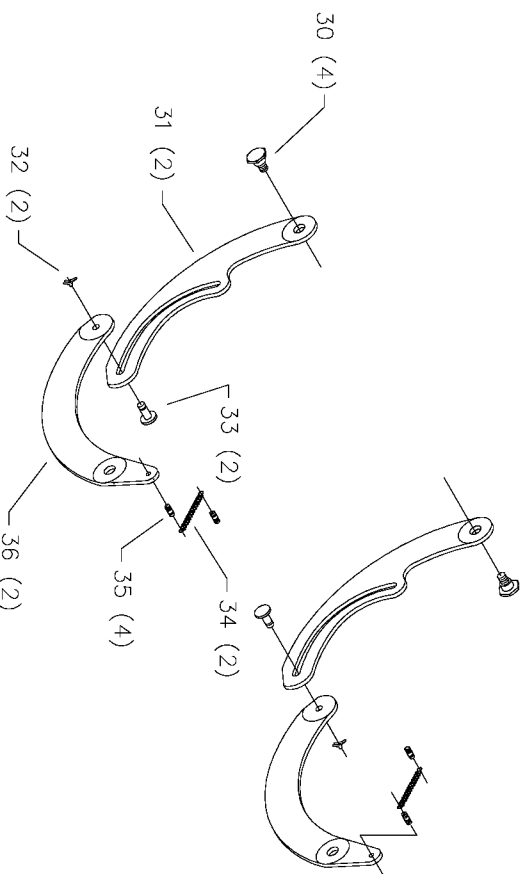
733471

A370

DATE 11/18/02



NOTE LOCATION OF SPRING AND RELATIONSHIP OF FRONT AND REAR LEAF GUARDS



Parts List for 733471 Type 1

Item Number	Part Number	Description	Qty Required
30	424041110007	STUD	4
31	424040540017	REAR LEAF	2
32	904152107403	CLIP	2
33	424041110008	BEARING STUD	2
34	928022313394	SPRING	2
35	424041110009	STUD	4
36	424040540018	FRONT LEAF	2