

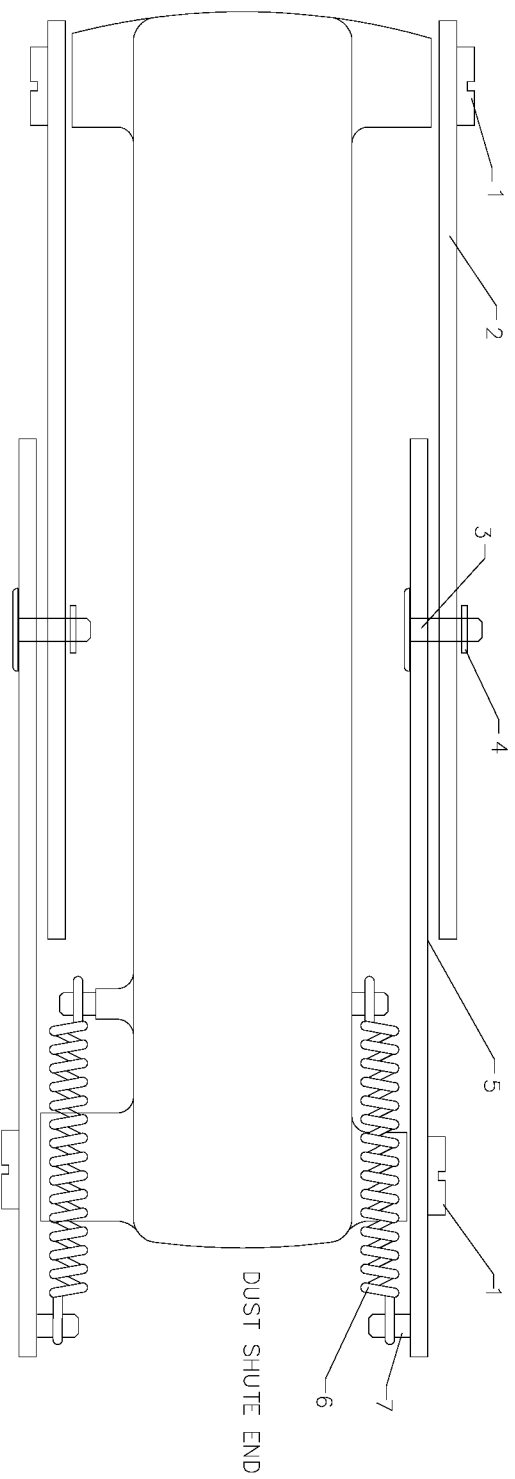


**RETRACTABLE LEAF GUARD
FOR 14" RADIAL ARM SAWS**

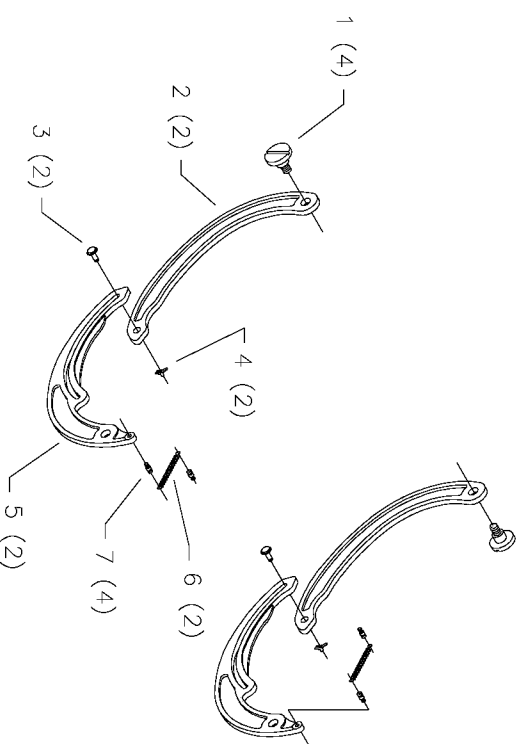
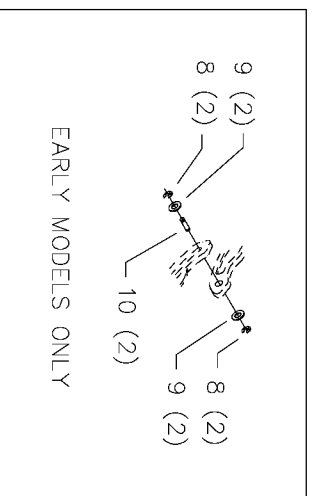
733449

A367

DATE 02-17-03



NOTE LOCATION OF SPRING AND RELATIONSHIP OF FRONT AND REAR LEAF GUARDS



Parts List for 733449 Type 1

Item Number	Part Number	Description	Qty Required
1	901090112455	STUD	4
2	424030540001	LEAF	2
3	424011110003	STUD	2
4	904152107403	CLIP	2
5	424030540023	LEAF	2
6	928022313394	SPRING	2
7	901090112456	STUD	4
8	904150620269	SNAP RING	4
9	904010101614	STEEL WASHER	4
10	424080710001	PIN	2