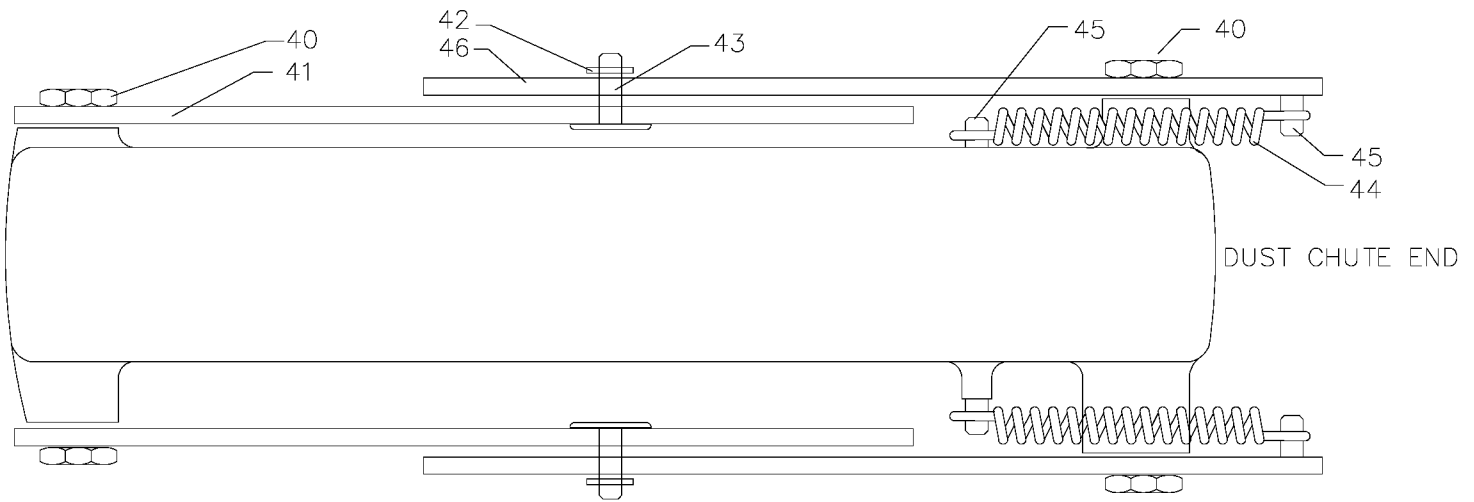




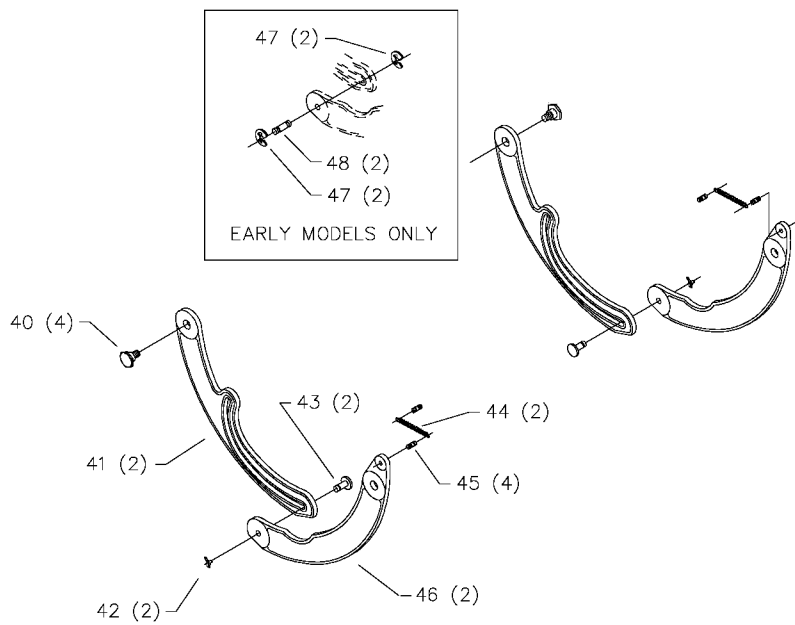
733446  
RETRACTABLE LEAF GUARD  
USED WITH 20" BLADE  
GUARD ON 18" RADIAL SAWS

A369

DATE 02-17-03



**NOTE LOCATION OF SPRING AND RELATIONSHIP OF FRONT AND REAR LEAF GUARDS**



## Parts List for 733446 Type 1

Item Number	Part Number	Description	Qty Required
40	424041110007	STUD	4
41	424040540003	REAR LEAF	2
42	904152107403	CLIP	2
43	424041110008	BEARING STUD	2
44	928022313394	SPRING	2
45	424041110009	STUD	4
46	424040540004	FRONT LEAF	2
47	904150620269	SNAP RING	4
48	424080710001	PIN	2