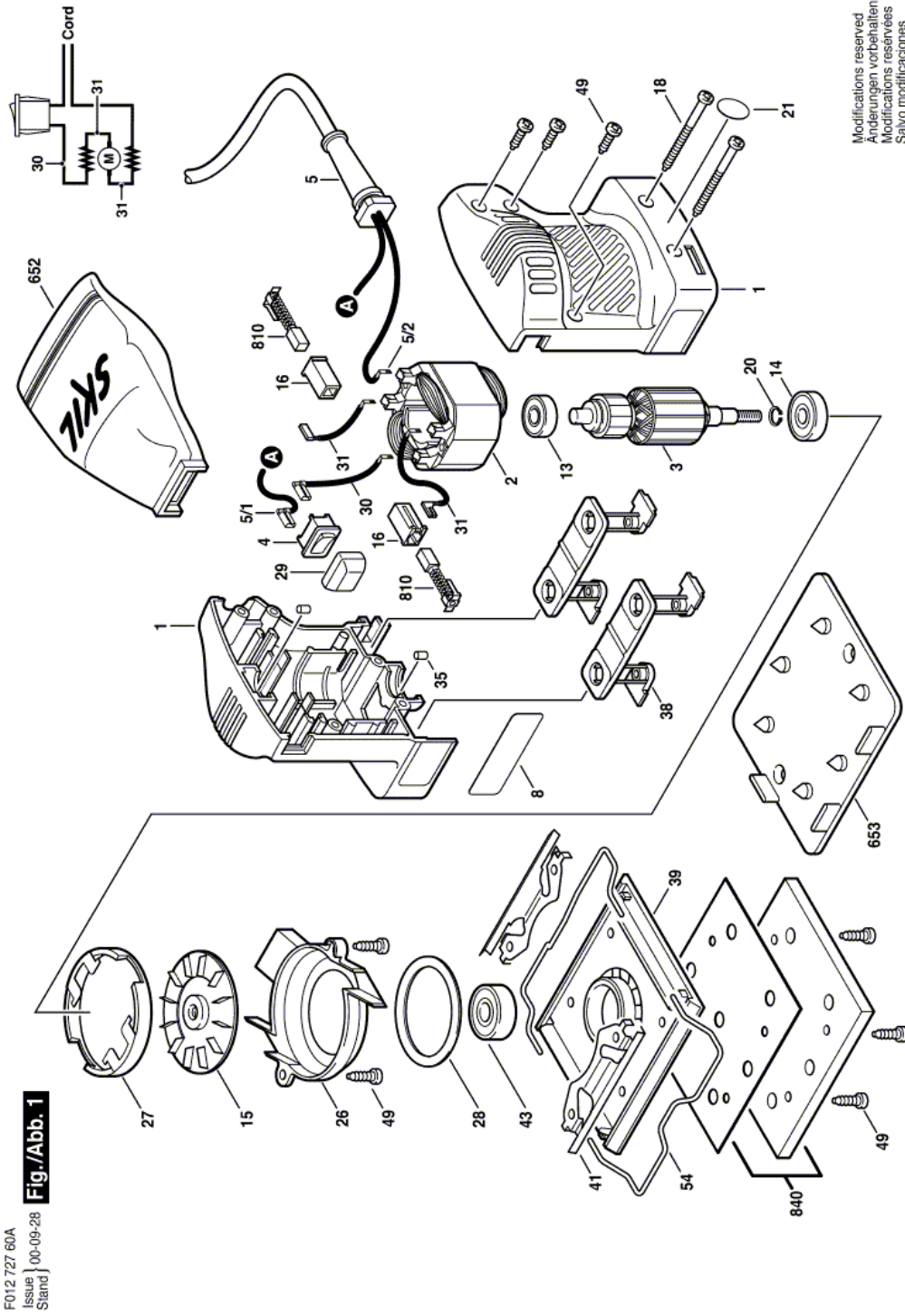


Orbital Sander - F 012 727 744 - 7277

Item	Part Number	Description	Illustration	Price	Quantity	Price Group
1	2 610 910 068	Housing Set	1	-,-	1	-
2	2 610 352 766	Field 120V	1	-,-	1	29
3	2 610 352 765	Armature 120V	1	-,-	1	-
4	2 610 910 115	Switch	1	-,-	1	21
5	1 619 X00 506	Power supply cord	1	-,-	1	-
5/1	2 610 352 788	Terminal	1	-,-	1	11
5/2	2 610 318 744	Terminal	1	-,-	1	12
8	2 610 909 868	Nameplate	1	-,-	1	-
13	2 610 351 861	Ball Bearing	1	-,-	1	23
14	2 610 352 770	Bearing	1	-,-	1	-
15	2 610 358 001	Vane	1	-,-	1	17
16	2 610 320 548	Brush Holder	1	-,-	2	13
18	1 619 P01 508	Screw	1	-,-	2	10
20	2 610 931 268	Retaining snap ring	1	-,-	1	-
21	2 610 905 768	Nameplate	1	-,-	1	15
26	2 610 352 774	Ring	1	-,-	1	15
27	2 610 356 794	Air Guide Plate	1	-,-	1	16
28	2 610 352 805	Felt Seal	1	-,-	1	14
29	1 619 X00 504	Screw	1	-,-	1	10
30	2 610 038 610	Cable 50 MM BLACK	1	-,-	1	13
31	2 610 038 852	Connecting Cable 50 MM BLUE	1	-,-	2	11
35	2 610 350 103	Pin	1	-,-	2	11
38	2 610 902 931	Base	1	-,-	2	19
39	2 610 902 933	Swing-Plate	1	-,-	1	18
40	2 610 910 082	Rubber Plate	N/A	-,-	1	-
41	2 610 902 932	Lever	1	-,-	2	15
43	2 610 042 699	Deep-Groove Ball Bearing	1	-,-	1	22
49	1 619 X00 504	Screw	1	-,-	7	10
50	2 610 352 771	Screw	N/A	-,-	4	11
54	2 610 352 839	Lever	1	-,-	2	13
652	2 610 903 815	Dust Bag	1	-,-	1	23
653	2 610 358 021	Punching Tool	1	-,-	1	21
810	2 610 321 617	Carbon-Brush Set	1	-,-	1	24



Modifications reserved
Änderungen vorbehalten
Modificacions reservées
Salvo modificaciones