

**Type:** JMU 404 M (A) (60Hz, 120V)  
**Part no.:** 72730209110

<b>Item</b>	<b>Part no.</b>	<b>Designation</b>	<b>Quantity</b>
10	31903210020	Motor housing	1
20	51275006110	Stator 50/60Hz110/120V	1
40	43072001009	Screw	2
50	53275007110	Armature 50/60Hz110/120V	1
60	41701207033	Grooved ball bearing	2
70	41701213220	Grooved ball bearing	1
100	30501402000	Spacer sleeve	1
105	42639031008	Sealing ring	1
110	31207242002	Housing	1
140	30712090040	Brush holder Set 110V-120V,50/60Hz	2
145	30711153000	Carbon brush 110V-120V,50/60Hz	2
150	43070027000	Screw	2
160	31428133008	Air guide ring	1
170	43064024043	Screw	2
180	42443003043	Circlip M4	2
190	31414076010	Protective hose	1
195	32217468060	Sticker	1
230	42616000001	Circlip	1
240	41701000011	Grooved ball bearing	1
250	31506415000	Intermediate gear box	1
260	33402057000	Shaft	1
270	40608000000	Sealing ring	1
280	41701017059	Grooved ball bearing	1
290	40221040006	Feather key	1

**Type:** JMU 404 M (A) (60Hz, 120V)  
**Part no.:** 72730209110

Item	Part no.	Designation	Quantity	
300	33667007003	Gear-wheel	1	9
310	30507168003	Bush	1	9
320	40608000009	sealing ring	2	9
330	41701210037	Grooved ball bearing	3	9
340	33412049010	Clutch Set	1	9
350	40201050003	Straight pin	2	9
370	33615025015	Gear-wheel	1	9
380	42616023000	Circlip	1	9
390	33765022000	Shaft, toothed Z=13/19	1	9
400	33665009009	Gear-wheel	1	9
410	41701213011	Grooved ball bearing	2	9
420	33767005005	Shaft, toothed	1	9
430	42401007142	Disc M14	1	9
440	42643003004	Circlip	1	9
470	42616043008	Circlip	1	9
480	42615081002	Circlip	1	9
490	32411088000	Plate	1	9
500	30610058000	Seal	1	9
510	30217177006	Bolt	2	9
520	30217192001	Bolt	2	9
540	32805045007	Lever	2	9
550	30216086001	Bolt	2	9
560	30901202001	Spiral spring	2	9
580	40238007005	Clamping sleeve	2	9

**Type:** JMU 404 M (A) (60Hz, 120V)  
**Part no.:** 72730209110

<b>Item</b>	<b>Part no.</b>	<b>Designation</b>	<b>Quantity</b>
710	31207337020	Housing	1
720	31602089009	Bush	2
730	30904041001	Leaf spring	1
740	43041026994	Fillister head screw	1
750	30229446000	Pressure piece	1
760	34300000040	Guide strip	2
770	43035009044	Cylinder head screw	14
780	43058005056	Set screw	7
790	33812011000	Gear rack	1
810	43033074065	Cylinder head screw	8
820	34300000037	Guide	1
840	32424046000	Cover	1
860	40238012001	Clamping sleeve	2
870	33717040000	Shaft	1
890	32119114036	Handle	3
900	33213007001	Scale	1
920	40612171000	Sealing ring	1
930	32424048000	Cover	1
940	31413237000	Protective hose	1
950	30707557010	Cable with plug	1
960	31413177009	Protective cap	2
965	40221032009	Feather key	1
970	33412042000	Clutch part	1
980	42401019085	Disc	2

**Type:** JMU 404 M (A) (60Hz, 120V)  
**Part no.:** 72730209110

<b>Item</b>	<b>Part no.</b>	<b>Designation</b>	<b>Quantity</b>
990	30905055000	Cup spring	2
1000	42001009080	Hex nut	1
1010	31420123000	Plug	1
1020	40611012000	Sealing ring	4
1030	43072011008	Screw	4
1040	43070012008	Screw	3
1050	43070031003	Screw	1
1060	43035013058	Cylinder head screw	2
1080	32172046010	Magnetic foot	1
1090	32132035010	Container	1
1091	40612112007	Sealing ring	1
1092	40612087004	Sealing ring	1
1095	30240357010	Ball cock Set	1
1096	31414070010	Flex-jointed hose	1
1100	31414054008	Replacement hose	1
1105	43035074085	Cylinder head screw M8X22	8
1110	42015000000	Nut	1
1115	30501377000	Sleeve	1
1150	31508316010	Gearbox housing	1
1155	42443005064	Circlip M6	8
1190	42616009003	Circlip	1
1200	42616000003	Circlip	1
1220	30762646990	Electronics	1
1230	41138025006	Hose socket	1

**Type:** JMU 404 M (A) (60Hz, 120V)  
**Part no.:** 72730209110

<b>Item</b>	<b>Part no.</b>	<b>Designation</b>	<b>Quantity</b>
1250	32424047000	Cover	1
1300	31412063000	Terminal	1
1310	33024081000	Screw	1
1320	42019019121	Nut	1
1325	30234026008	Cable tie	2
1330	32427113009	Cover	1
1335	32431043002	Cable clamping piece	1
1340	32427115001	Cover	1
1345	43074010000	Screw	2
1350	43070027000	Screw	2
1355	32424031000	Cover	1
1360	30217347001	Bolt	1
1370	42401019085	Disc	1
1380	43035138087	Cylinder head screw	1
1390	43074008000	Screw	5
1400	43064002043	Screw	6
1410	30701281000	Switch	1
1420	30701223005	Button	1
1430	30701311000	Button	1
1440	30701315000	Button	1
1450	30701224003	Cap	3
1460	30701314010	Switch	1
1470	30720002010	Cable	2
1480	30720000010	Cable harness	1

**Type:** JMU 404 M (A) (60Hz, 120V)  
**Part no.:** 72730209110

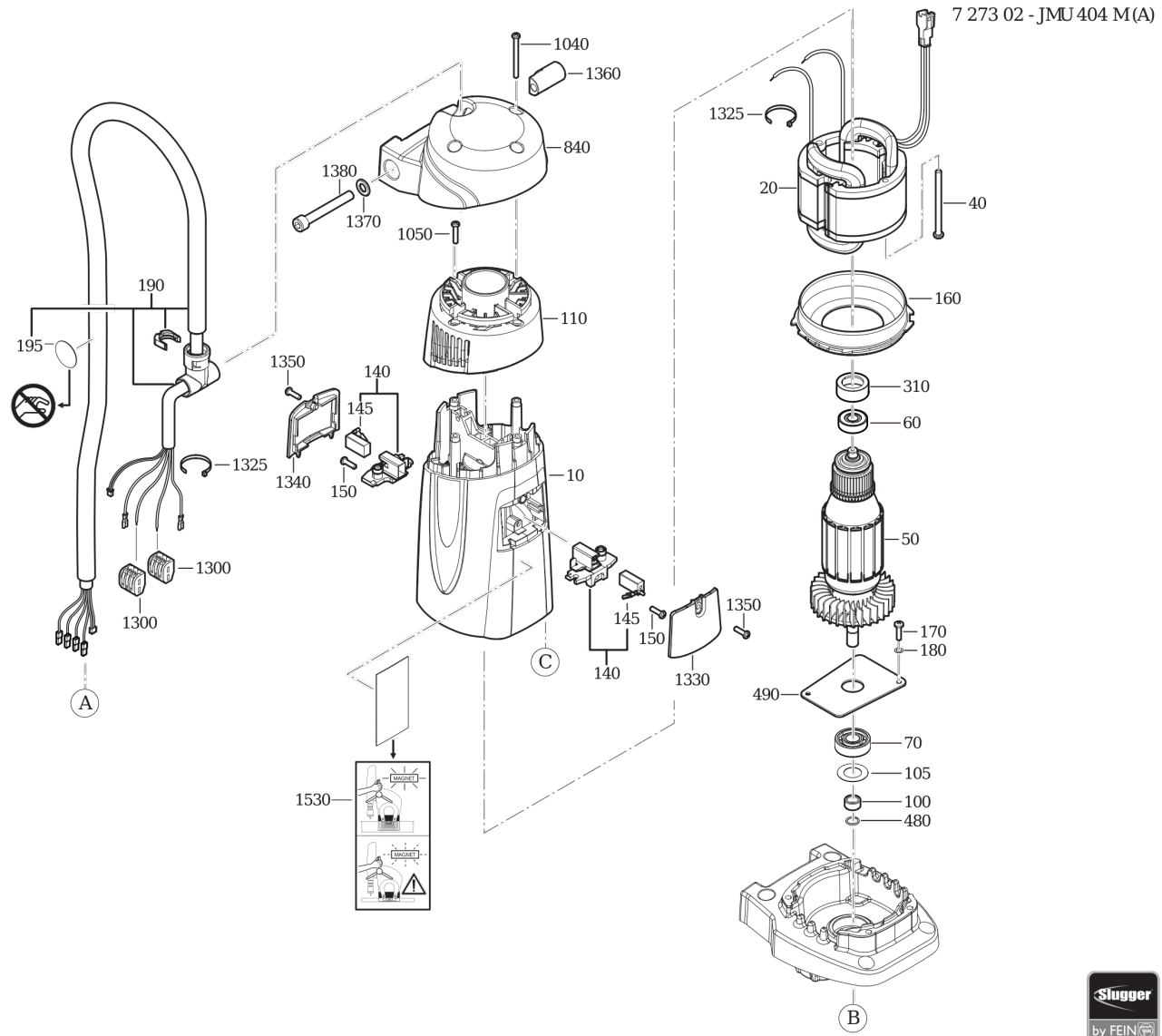
<b>Item</b>	<b>Part no.</b>	<b>Designation</b>	<b>Quantity</b>
1490	30759306000	LED	1
1510	32217406002	Sticker	1
1520	32217507060	Information sign	1
1530	32217466060	Information sign	1
1540	32217532000	Information sign	1
1600	63901077020	1-1/4" Weldon mounting shaft	1
2000	63901072020	Weldon 32 mounting shaft	1
2100	33401114010	Shaft	1
2110	30901341000	Spiral spring	1
2120	30503168000	Sleeve	1
2130	32408389000	Disc	1
2140	42616075007	Circlip	1
2150	40612000003	Sealing ring	1
2160	42015070000	Nut	1
2180	43045000003	Set screw	2
2240	30240374000	Clutch part	2
2250	43035004041	Cylinder head screw	2
2260	40608080000	Sealing ring	1
2270	43033089048	Cylinder head screw	1
2310	30901392000	Spring	1
2320	30503168000	Sleeve	1
2330	32408389000	Disc	1
2340	42616075007	Circlip	1
2350	40612000003	Sealing ring	1

**Type:** JMU 404 M (A) (60Hz, 120V)  
**Part no.:** 72730209110

<b>Item</b>	<b>Part no.</b>	<b>Designation</b>	<b>Quantity</b>
2355	32217552000	Information sign	1
2360	42015070000	Nut	1
2380	43045000003	Set screw	2
2440	30240374000	Clutch part	2
2450	43035004041	Cylinder head screw	2
2460	40608080000	Sealing ring	1
2470	43033089048	Cylinder head screw	1
2500	32217517000	RFID Transponder VE1	1
5000	33901605020	Case	1
5010	63134998335	Centering pin	1
5020	64201001000	Hook f. chip removal	1
5030	32174007009	Ratchet buckle w/ strap	1
5040	63305004001	Drift keys	1
5070	62907011009	Allen key SW5	1
5080	62907004005	Allen key SW6	1
5090	63901078010	Adapter with 1-1/4" Weldon fitting	1
5130	33413064000	Rod	1
5140	32103043010	Wheel Set	1
5160	30232052000	Wire clamp	2
5200	30240319000	Disc	2

**Type:**  
**Part no.:**

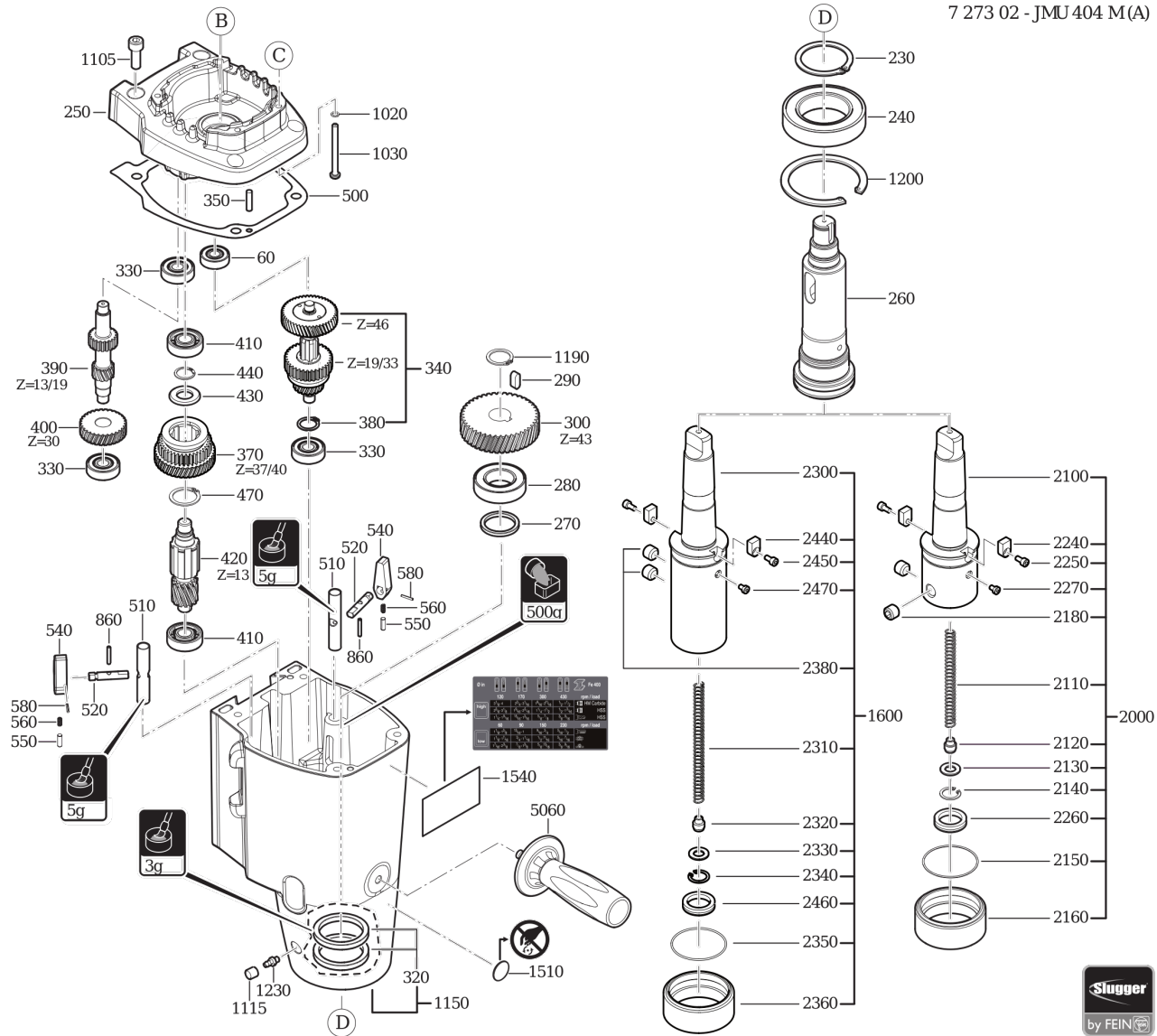
JMU 404 M (A) (60Hz, 120V)  
72730209110





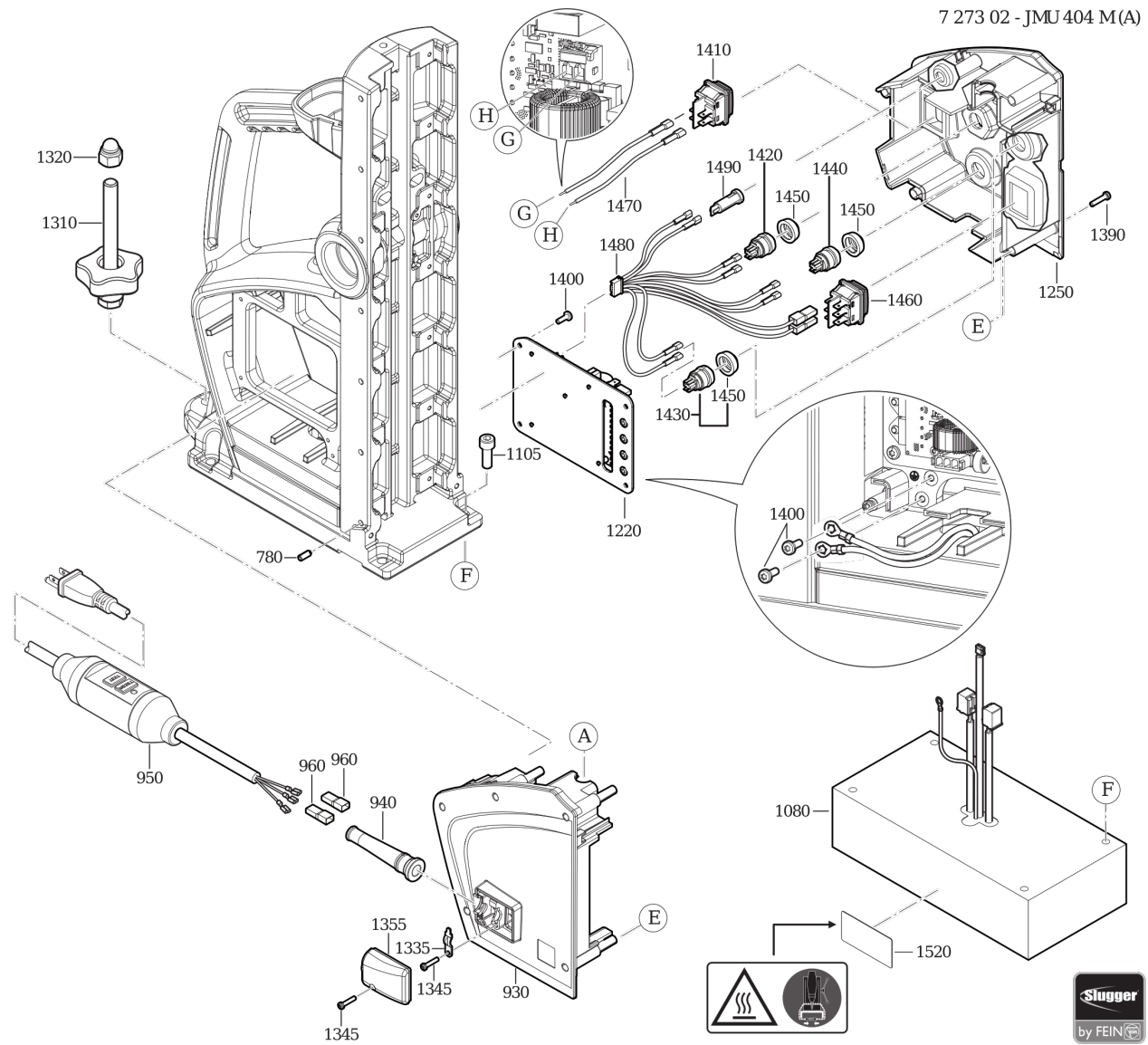
Type:  
Part no.:

JMU 404 M (A) (60Hz, 120V)  
72730209110



Type:  
Part no.:

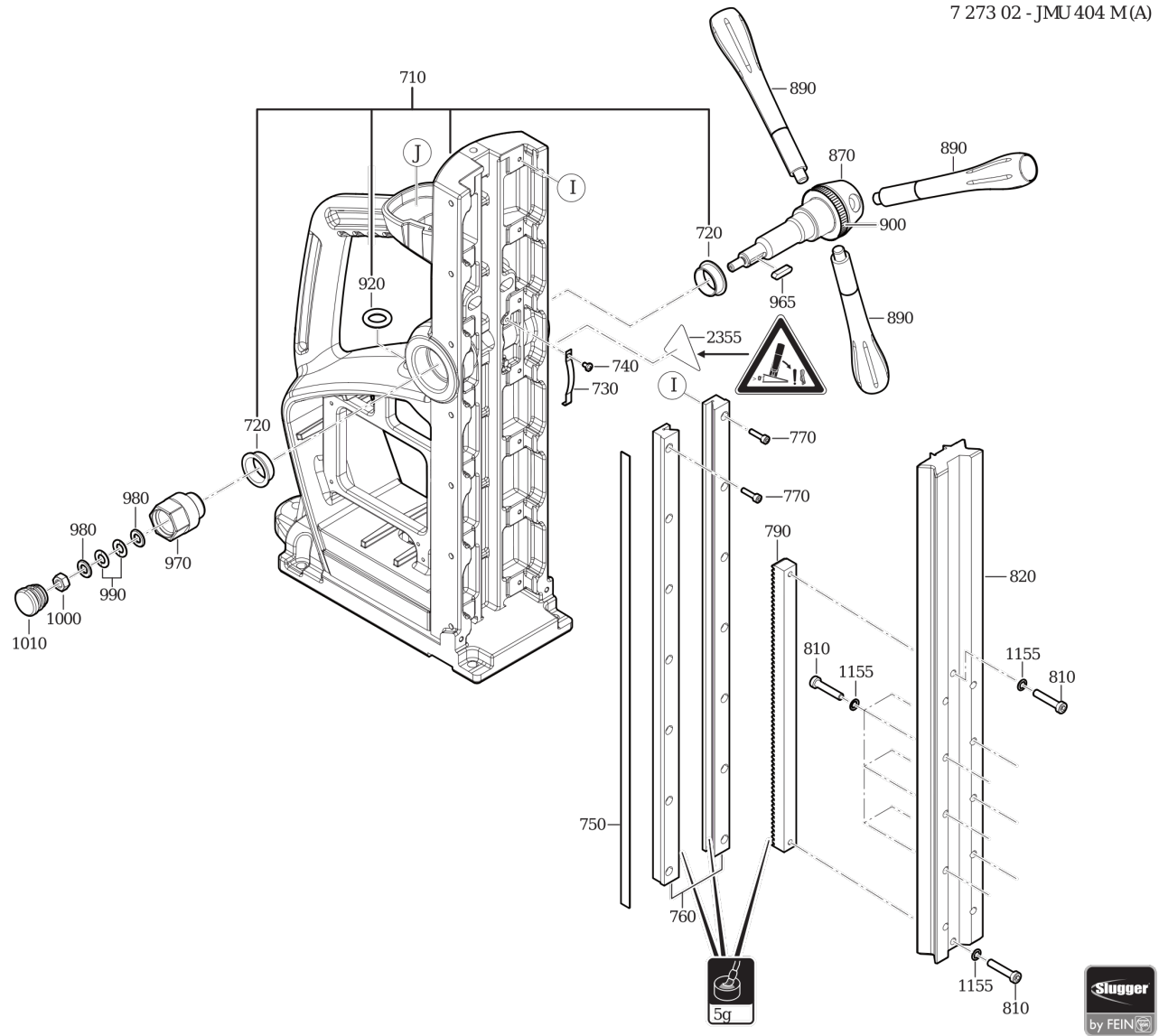
JMU 404 M (A) (60Hz, 120V)  
72730209110



Type:  
Part no.:

JMU 404 M (A) (60Hz, 120V)  
72730209110

7 273 02 - JMU 404 M(A)



Type:  
Part no.:

JMU 404 M (A) (60Hz, 120V)  
72730209110

7 273 02 - JMU 404 M(A)

