

**Type:** JMU 137 MQW (60Hz, 120V)  
**Part no.:** 72705612110

| <b>Item</b> | <b>Part no.</b> | <b>Designation</b>             | <b>Quantity</b> |
|-------------|-----------------|--------------------------------|-----------------|
| 20          | 51282002110     | Stator 60Hz/110V               | 1               |
| 40          | 31428196000     | Air guide ring                 | 1               |
| 50          | 53281007110     | Armature 50/60H110/120V        | 1               |
| 60          | 41701001172     | Grooved ball bearing           | 2               |
| 62          | 41701001260     | Grooved ball bearing           | 1               |
| 70          | 32172014010     | Magnet                         | 1               |
| 80          | 32416098005     | Plate                          | 1               |
| 90          | 41701207260     | Grooved ball bearing           | 1               |
| 100         | 32612135000     | Sealing ring                   | 1               |
| 110         | 42639028003     | Sealing ring                   | 1               |
| 125         | 32411089000     | Cover                          | 1               |
| 135         | 30711160000     | Carbon brush 110-120V, 50/60Hz | 2               |
| 140         | 43072000000     | Screw                          | 2               |
| 150         | 32427157000     | Cover                          | 2               |
| 160         | 30762562990     | Electronics                    | 1               |
| 185         | 31901204070     | Motor housing U 120V           | 1               |
| 191         | 31414072000     | Protective hose                | 1               |
| 192         | 32429146010     | Connecting piece               | 1               |
| 193         | 30719936010     | Connecting cable               | 1               |
| 195         | 32217468060     | Sticker                        | 1               |
| 196         | 30719943010     | Cable harness                  | 1               |
| 200         | 30728445000     | Terminal                       | 2               |
| 210         | 30762560990     | Electronics                    | 1               |
| 220         | 32816078000     | Switch insert                  | 1               |

**Type:** JMU 137 MQW (60Hz, 120V)  
**Part no.:** 72705612110

| <b>Item</b> | <b>Part no.</b> | <b>Designation</b>    | <b>Quantity</b> |
|-------------|-----------------|-----------------------|-----------------|
| 230         | 32429141000     | Cover                 | 1               |
| 250         | 31506412010     | Intermediate gear box | 1               |
| 260         | 41701006034     | Grooved ball bearing  | 1               |
| 270         | 41701202018     | Grooved ball bearing  | 2               |
| 290         | 43072006001     | Screw                 | 4               |
| 295         | 31508310020     | Gearbox housing       | 1               |
| 310         | 40242058004     | Pin                   | 2               |
| 340         | 41701000015     | Grooved ball bearing  | 1               |
| 350         | 42616014009     | Circlip               | 1               |
| 360         | 40608000005     | sealing ring          | 3               |
| 370         | 42616022006     | Circlip               | 1               |
| 380         | 33402056000     | Shaft                 | 1               |
| 400         | 33663174000     | Gear-wheel Z=39       | 1               |
| 410         | 42616007001     | Circlip               | 1               |
| 420         | 33763064000     | Shaft, toothed Z=17   | 1               |
| 440         | 33661002000     | Gear-wheel Z=36       | 1               |
| 470         | 33761002000     | Shaft, toothed        | 1               |
| 480         | 33657190000     | Gear-wheel            | 1               |
| 530         | 30610048000     | Seal                  | 1               |
| 550         | 41138025006     | Hose socket           | 1               |
| 560         | 33218134000     | Pressure piece        | 1               |
| 570         | 32170025000     | Lever                 | 2               |
| 705         | 31207320020     | Housing               | 1               |
| 720         | 31602089009     | Bush                  | 2               |

**Type:** JMU 137 MQW (60Hz, 120V)  
**Part no.:** 72705612110

| <b>Item</b> | <b>Part no.</b> | <b>Designation</b>   | <b>Quantity</b> |
|-------------|-----------------|----------------------|-----------------|
| 730         | 30904047000     | Leaf spring          | 1               |
| 740         | 43076001030     | Screw                | 1               |
| 750         | 33216047000     | Pressure piece       | 1               |
| 760         | 34300000002     | Guide strip          | 2               |
| 770         | 43035076041     | Cylinder head screw  | 10              |
| 780         | 43058008051     | Set screw            | 5               |
| 790         | 33812007004     | Gear rack            | 1               |
| 810         | 43035017057     | Cylinder head screw  | 2               |
| 820         | 34300000003     | Guide                | 1               |
| 830         | 43041041053     | Fillister head screw | 2               |
| 840         | 33713073000     | Shaft, toothed       | 1               |
| 850         | 42446003009     | Disc                 | 1               |
| 860         | 42616065008     | Circlip              | 1               |
| 870         | 30109201010     | Connecting piece     | 1               |
| 890         | 32119114014     | Handle               | 3               |
| 900         | 32636046000     | Scale                | 1               |
| 910         | 43035084062     | Cylinder head screw  | 1               |
| 920         | 40612171000     | Sealing ring         | 1               |
| 926         | 30701223005     | Button               | 1               |
| 927         | 30701224003     | Cap                  | 1               |
| 930         | 32424036000     | Cover                | 1               |
| 935         | 30719935010     | Connecting cable     | 1               |
| 940         | 31413237000     | Protective hose      | 1               |
| 950         | 30707528010     | Cable with plug      | 1               |

**Type:** JMU 137 MQW (60Hz, 120V)  
**Part no.:** 72705612110

| <b>Item</b> | <b>Part no.</b> | <b>Designation</b>           | <b>Quantity</b> |
|-------------|-----------------|------------------------------|-----------------|
| 960         | 32431043002     | Cable clamping piece         | 1               |
| 970         | 43074010000     | Screw                        | 2               |
| 980         | 32424031000     | Cover                        | 1               |
| 990         | 30762561990     | Electronics 110-230V 50/60Hz | 1               |
| 1000        | 43074013000     | Screw                        | 3               |
| 1030        | 43064024043     | Screw                        | 2               |
| 1040        | 32424037000     | Cover                        | 1               |
| 1050        | 43074008000     | Screw                        | 11              |
| 1060        | 43035013058     | Cylinder head screw          | 2               |
| 1070        | 43033064066     | Cylinder head screw          | 4               |
| 1080        | 32172029000     | Magnetic foot                | 1               |
| 1090        | 32132035010     | Container                    | 1               |
| 1091        | 40612112007     | Sealing ring                 | 1               |
| 1092        | 40612087004     | Sealing ring                 | 1               |
| 1095        | 30240357010     | Ball cock Set                | 1               |
| 1096        | 31414070010     | Flex-jointed hose            | 1               |
| 1100        | 31414073000     | Hose                         | 1               |
| 1105        | 30501377000     | Sleeve                       | 1               |
| 1110        | 42015000000     | Nut                          | 1               |
| 1125        | 63901063020     | 3/4 in Weldon mounting shaft | 1               |
| 1260        | 32217519000     | Information sign             | 1               |
| 1270        | 32217406002     | Sticker                      | 1               |
| 1275        | 32217552000     | Information sign             | 1               |
| 1290        | 32217465060     | Information sign             | 1               |

**Type:** JMU 137 MQW (60Hz, 120V)  
**Part no.:** 72705612110

| <b>Item</b> | <b>Part no.</b> | <b>Designation</b>   | <b>Quantity</b> |
|-------------|-----------------|----------------------|-----------------|
| 1310        | 32217466060     | Information sign     | 1               |
| 1700        | 33401107000     | Shaft                | 2               |
| 1710        | 30901341000     | Spiral spring        | 2               |
| 1720        | 30503145006     | Sealing ring         | 2               |
| 1730        | 32408389000     | Disc                 | 2               |
| 1740        | 42616033009     | Circlip              | 2               |
| 1750        | 40612073006     | Sealing ring         | 2               |
| 1760        | 42015069000     | Nut                  | 2               |
| 1770        | 42643015005     | Circlip              | 2               |
| 1780        | 30240330000     | Pin                  | 4               |
| 1790        | 30501371000     | Clamping sleeve      | 2               |
| 1800        | 30501373000     | Bush                 | 2               |
| 1810        | 30901401000     | Spring               | 2               |
| 1820        | 30501372000     | Sleeve               | 2               |
| 1830        | 42616076000     | Circlip 28X1,5       | 2               |
| 2500        | 32217517000     | RFID Transponder VE1 | 1               |
| 5000        | 33901175040     | Tool box ass.        | 1               |
| 5010        | 30232052000     | Wire clamp           | 2               |
| 5020        | 33904576000     | Insert               | 1               |
| 5100        | 31810298000     | Protective grille    | 1               |
| 5110        | 63134998310     | Centering pin        | 1               |
| 5120        | 64201001000     | Hook f. chip removal | 1               |
| 5130        | 32174008007     | STRAP, SAFETY        | 1               |
| 5140        | 63305003003     | Drift keys           | 1               |

**Type:** JMU 137 MQW (60Hz, 120V)

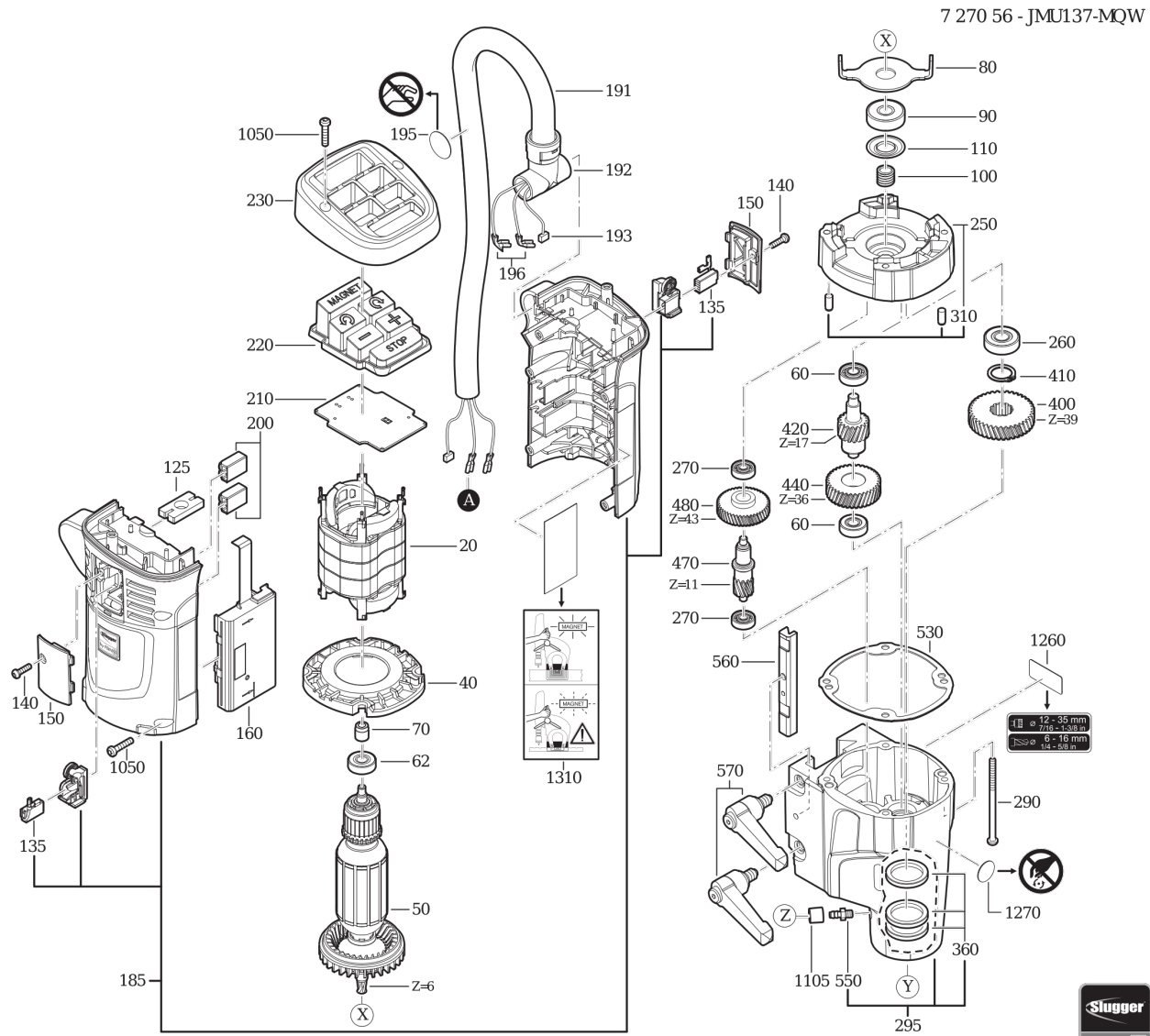
**Part no.:** 72705612110

---

| <b>Item</b> | <b>Part no.</b> | <b>Designation</b>   | <b>Quantity</b> |
|-------------|-----------------|----------------------|-----------------|
| 5150        | 63134998300     | Centering pin        | 1               |
| 5170        | 30217338000     | Centering pin        | 1               |
| 6000        | 32132041000     | Lubricant can 1000 g | 1               |

**Type:**  
**Part no.:**

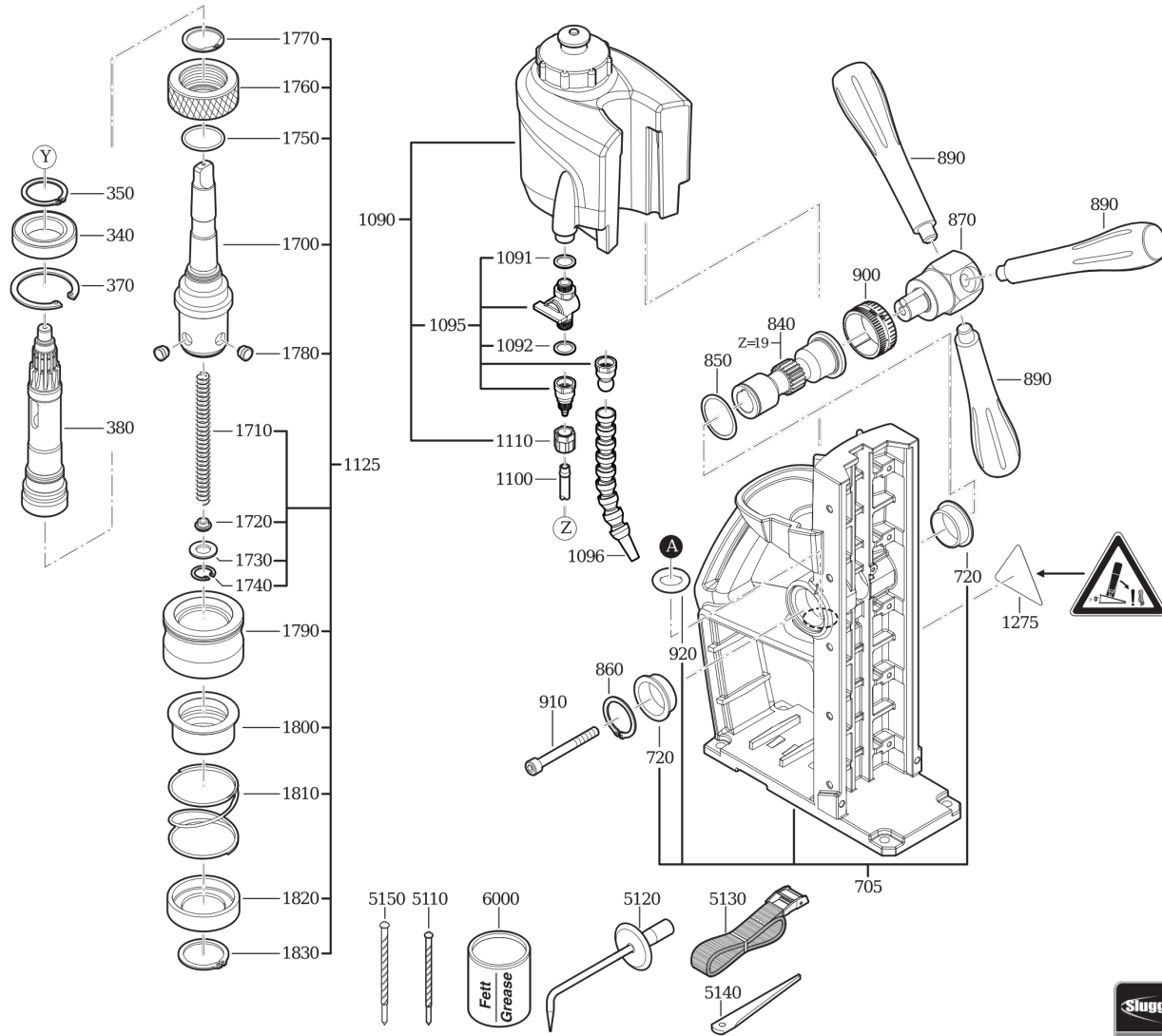
JMU 137 MQW (60Hz, 120V)  
72705612110



Type:  
Part no.:

JMU 137 MQW (60Hz, 120V)  
72705612110

7 270 56 - JMU137-MQW





**Type:**  
**Part no.:**

JMU 137 MQW (60Hz, 120V)  
72705612110

7 270 56 - JMU137-MQW

