

**Type:** JCM 125 Q (60Hz, 120V)  
**Part no.:** 72703512360

Item	Part no.	Designation	Quantity
10	31901162020	Motor housing	1
20	51271003369	Stator	1
30	43070004001	Screw	2
40	31428112006	Air guide ring	1
50	53271007360	Armature	1
52	41701001172	Grooved ball bearing	1
53	32416100000	Plate	1
54	41701007050	Grooved ball bearing	1
55	32612062001	Sealing ring	1
100	31506370018	Intermediate gear box	1
102	40608066005	Sealing ring	2
103	41705038005	Needle sleeve	2
104	41701001010	Grooved ball bearing	2
140	43070007002	Screw	6
145	40611007008	Sealing ring	4
150	30712095020	Brush holder 110-120V 50/60Hz	2
160	30711131000	Carbon brush	2
170	31428138005	Holder	1
180	30717189002	Connector	2
190	31201114002	Cover	1
200	30723046019	Screw connection	1
205	40612024009	Sealing ring	1
210	31414060012	Protective hose	1
220	30719593011	Connecting cable	2

**Type:** JCM 125 Q (60Hz, 120V)  
**Part no.:** 72703512360

<b>Item</b>	<b>Part no.</b>	<b>Designation</b>	<b>Quantity</b>
240	31509083002	Gearbox housing	1
245	31509083011	Gearbox housing	1
250	41701204010	Grooved ball bearing	1
260	41701017059	Grooved ball bearing	1
270	42616004000	Circlip	1
280	33403105002	Shaft	1
290	40238065002	Clamping sleeve	1
300	30901353006	Spiral spring	1
305	30901353015	Spiral spring	1
310	30503145006	Sealing ring	1
320	32408389000	Disc	1
330	42616075007	Circlip	1
340	41708025004	Ball	4
350	30907063003	Spiral spring	1
360	30232045005	Clamping sleeve	1
380	42643009005	Circlip	1
390	42616014009	Circlip	1
400	40221028001	Feather key	1
410	33663166008	Gear-wheel	1
420	42616009003	Circlip	1
430	33763060007	Shaft, toothed	1
440	33657159006	Gear-wheel	1
450	42443003043	Circlip M4	4
460	43035009044	Cylinder head screw	2

**Type:** JCM 125 Q (60Hz, 120V)  
**Part no.:** 72703512360

<b>Item</b>	<b>Part no.</b>	<b>Designation</b>	<b>Quantity</b>
470	43035096049	Cylinder head screw	2
480	30240240007	Pressure piece	1
490	32170017007	Lever	1
500	41138025006	Hose socket	1
600	31207285010	Housing	1
602	31602081001	Bush	1
603	31602092003	Bush	1
610	33216047000	Pressure piece	1
620	33218117000	Guide strip	2
630	43035076041	Cylinder head screw	6
640	30904041001	Leaf spring	1
650	43041026994	Fillister head screw	1
660	43058008051	Set screw	3
670	42443004057	Circlip M5	6
680	33812007004	Gear rack	1
690	43035017057	Cylinder head screw	2
700	33218116006	Guide	1
710	43013048041	Flat headed screw	2
740	33713068008	Shaft	1
750	33213008009	Scale	1
760	32119114014	Handle	3
770	42401019085	Disc	2
780	30905055000	Cup spring	2
790	42019006080	Nut	1

**Type:** JCM 125 Q (60Hz, 120V)  
**Part no.:** 72703512360

<b>Item</b>	<b>Part no.</b>	<b>Designation</b>	<b>Quantity</b>
800	33216046021	Magnetic foot	1
810	43035021050	Cylinder head screw	4
825	30707424010	Cable with plug	1
830	31413007007	Cable grommet	1
840	30723044003	Screw connection	1
845	30610034008	Seal	1
850	32422317000	Plate	1
860	31408086007	Plate	1
870	30723043005	Nut	1
875	30719647010	Connecting cable	2
880	30701281000	Switch	1
885	31412063000	Terminal	2
888	30701281010	Switch Umbausatz / repair kit	1
890	30762245990	Electronics	1
900	30719572019	Connecting cable	4
910	30701242009	Switch	1
911	32816059009	Cap	1
920	42439013046	Lock washer	1
930	42404005048	Disc	2
940	40612024009	Sealing ring	1
950	32429135000	Cover	1
960	30723046019	Screw connection	1
970	30723045007	Nut	1
980	43064023045	Fillister head screw	8

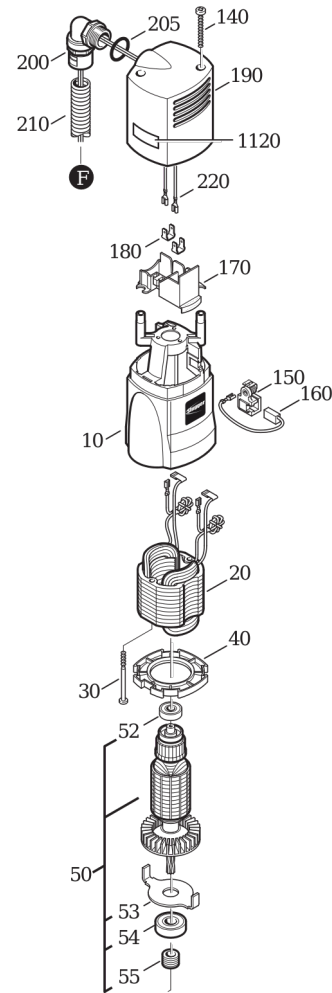
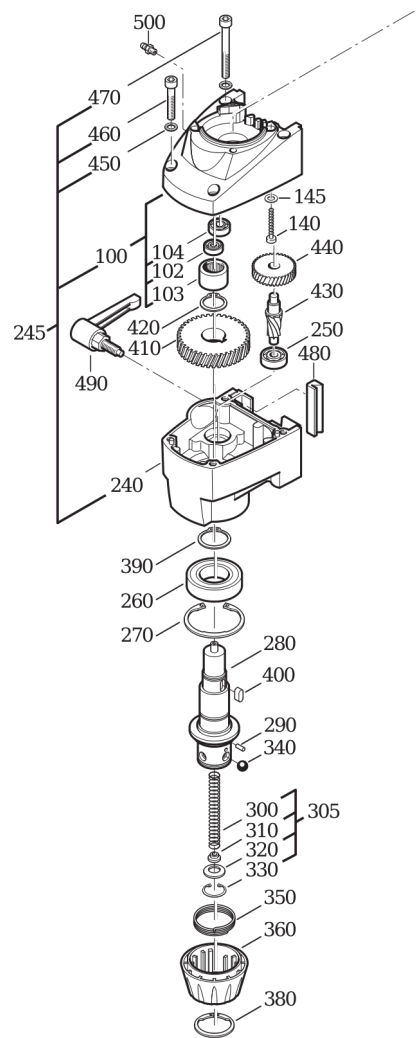
**Type:** JCM 125 Q (60Hz, 120V)  
**Part no.:** 72703512360

Item	Part no.	Designation	Quantity
1120	32217406002	Sticker	1
2000	32217407000	Sticker	1
5000	33901132030	Tool box ass.	1
5010	30240247002	Bottle holder	1
5020	32132022007	Pump	1
5030	31414054008	Replacement hose	1
5040	64201001000	Hook f. chip removal	1
5050	32174008007	STRAP, SAFETY	1
5060	63203050014	Key-type drill chucks	1
5065	62914002005	Chuck key	1
5070	63901020006	QuickIN-adaptor	1
5080	63134998310	Centering pin	1
5095	30217355000 ↓ 63134998335	Centering pin Centering pin	1
5100	43041008045	Fillister head screw	4
5110	63901037010	Contact and swarf protection	1
5130	63901021014	QuickIN-adaptor	1
5140	63901024019	QuickIN-adaptor	1
5150	30217337002	Centering pin	1
5160	30217338000	Centering pin	1
5210	30232052000	Wire clamp	2
6000	32160003182	Lubricant tube 0,080kg	1

**Type:**  
**Part no.:**

JCM 125 Q (60Hz, 120V)  
72703512360

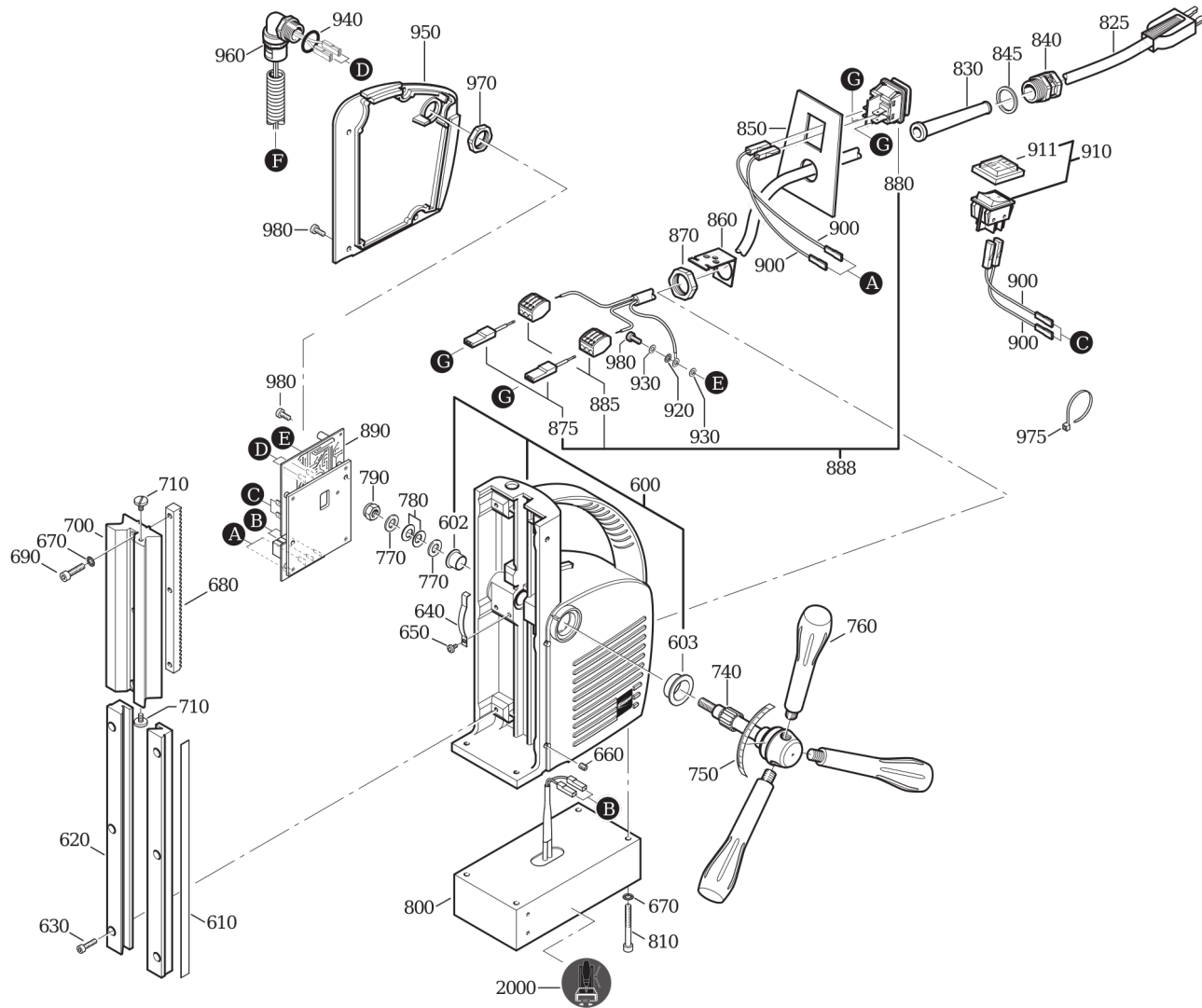
7 270 35 - JCM125 Q



Type:  
Part no.:

JCM 125 Q (60Hz, 120V)  
72703512360

7 270 35 - JCM125 Q



**Type:**  
**Part no.:**

JCM 125 Q (60Hz, 120V)  
72703512360

7 270 35 - JCM125 Q

