

Type:
Part no.:

KBM 80 U (60Hz,120V)
72703409360



Item	Part no.	Designation	Quantity	Price RPR excl. VAT (USD)	AT
0010	31903216000	Motor housing	1	on req.	-
0020	51275002360	Stator 110-120V,50/60Hz	1	on req.	-
0030	31428144005	Base plate	2	on req.	-
0040	43072011008	Screw	2	on req.	-
0050	31428141000	Air guide ring	1	on req.	-
0060	53275004360	Armature Z=6	1	on req.	-
0070	41701213220	Grooved ball bearing	1	on req.	-
0075	32612128000	Sealing ring	1	on req.	-
0080	41701210230	Grooved ball bearing	1	on req.	-
0090	32172011004	Ring magnet	1	on req.	-
0100	31506373000	Intermediate bearing	1	on req.	-
0105	40612128007	Sealing ring	1	on req.	-
0110	41701222016	Grooved ball bearing	1	on req.	-
0120	41701004015	Grooved ball bearing	4	on req.	-
0130	43072001009	Screw	4	on req.	-
0140	30712090040	Brush holder Set 110V-120V,50/60Hz	2	on req.	-
0145	30711153000	Carbon brush 110V-120V,50/60Hz	2	on req.	-
0150	43070027000	Screw	4	on req.	-
0160	32427118006	Cover	1	on req.	-
0170	32427117008	Cover	1	on req.	-
0180	30762396990	Electronics 110V-230V,50/60Hz	1	on req.	-
0185	31415104000	Pressure piece	2	on req.	-
0190	30762366990	Electronics	1	on req.	-
0200	30719721010	Connecting cable	2	on req.	-
0210	30719662010	Connecting cable	1	on req.	-
0220	30719667010	Connecting cable	2	on req.	-
0240	31207264000	Housing	1	on req.	-
0250	43070031003	Screw	2	on req.	-
0260	31414063000	Protective hose	1	on req.	-
0270	30240275000	Terminal	1	on req.	-
0280	32816067000	Switch insert	1	on req.	-
0290	32429133000	Cover	1	on req.	-
0300	43070012008	Screw	2	on req.	-
0310	31508258000	Gearbox housing	1	on req.	-
0315	40201034009	Straight pin	2	on req.	-
0325	32805208010	Switch pushbutton	1	on req.	-
0350	40612168000	Sealing ring	1	on req.	-
0360	42616015003	Circlip	1	on req.	-
0370	32714090000	Link	1	on req.	-
0380	30217349000	Set screw	1	on req.	-
0390	41701010010	Grooved ball bearing	1	on req.	-
0400	40608078000	Sealing ring	1	on req.	-
0410	41701113059	Grooved ball bearing	1	on req.	-
0420	40608074000	Sealing ring	1	on req.	-
0430	40608026009	Sealing ring	1	on req.	-
0440	42616004000	Circlip	1	on req.	-
0450	41701116050	Grooved ball bearing	1	on req.	-
0460	42015068000	Nut	1	on req.	-
0470	33402054000	Shaft	1	on req.	-

Type:
Part no.:

KBM 80 U (60Hz,120V)
72703409360



Item	Part no.	Designation	Quantity	Price RPR excl. VAT (USD)	AT
0480	40222011002	Feather key	1	on req.	-
0490	33669026000	Gear-wheel Z=23	1	on req.	-
0500	42616076000	Circlip 28X1,5	1	on req.	-
0510	33717038000	Shaft Z=10	1	on req.	-
0520	33617061000	Gear-wheel Z=13	1	on req.	-
0530	40221067009	Feather key	1	on req.	-
0540	33617060000	Gear-wheel Z=22	1	on req.	-
0550	33665056000	Gear-wheel Z=29	1	on req.	-
0560	42616006007	Circlip	1	on req.	-
0615	33765020010	Shaft, toothed Z=10/35	1	on req.	-
0620	33769002000	Shaft, toothed Z=12	1	on req.	-
0630	30217348000	Selector shaft	1	on req.	-
0640	42634022000	Circlip	2	on req.	-
0650	30901374000	Spiral spring	2	on req.	-
0660	30220062000	Sleeve	1	on req.	-
0670	42643016008	Circlip	2	on req.	-
0680	41708025004	Ball	12	on req.	-
0690	33617057000	Gear-wheel Z=27	1	on req.	-
0700	33617058000	Gear-wheel Z=36	1	on req.	-
0710	33617059000	Gear-wheel Z=39	1	on req.	-
0720	42443004057	Circlip M5	4	on req.	-
0730	43035016053	Cylinder head screw M5X18	4	on req.	-
0740	41138025006	Hose socket	1	on req.	-
0745	40611012000	Sealing ring	1	on req.	-
0750	30217347001	Bolt	2	on req.	-
0760	42401019085	Disc	2	on req.	-
0770	32170019000	Lever	2	on req.	-
0780	40608079000	Sealing ring	1	on req.	-
0803	30507226001	Bush	2	on req.	-
0805	31207266010	Housing	1	on req.	-
0806	31602089009	Bush	2	on req.	-
0810	33216054000	Pressure piece	1	on req.	-
0820	33218126000	Guide strip	2	on req.	-
0830	43035076041	Cylinder head screw M4X16	12	on req.	-
0840	30904041001	Leaf spring	1	on req.	-
0850	43041026994	Fillister head screw	1	on req.	-
0860	43058005056	Set screw	6	on req.	-
0875	33812008010	Gear rack	1	on req.	-
0880	40238051004	Clamping sleeve	1	on req.	-
0890	33218112007	Guide	1	on req.	-
0895	42402017040	Disc	4	on req.	-
0900	43035006048	Cylinder head screw M4X12	4	on req.	-
0910	42443005064	Circlip M6	2	on req.	-
0920	43058021068	Cylinder head screw	2	on req.	-
0950	33717040000	Shaft	1	on req.	-
0960	40221032009	Feather key	1	on req.	-
0970	33412042000	Clutch part	1	on req.	-
0980	42401019085	Disc	2	on req.	-
0990	30905055000	Cup spring	2	on req.	-
1000	42001009080	Hex nut M8	1	on req.	-

Type:
Part no.:

KBM 80 U (60Hz,120V)
72703409360



Item	Part no.	Designation	Quantity	Price RPR excl. VAT (USD)	AT
1010	31420123000	Plug	2	on req.	-
1020	32119114014	Handle	3	on req.	-
1030	41709041004	Roller	2	on req.	-
1040	32170020000	Lever	1	on req.	-
1055	33216052010	Magnetic foot	1	on req.	-
1070	32408419000	Disc	2	on req.	-
1080	42001010103	Hex nut M10	2	on req.	-
1090	42404005048	Disc	8	on req.	-
1110	42439013046	Lock washer	4	on req.	-
1120	43064024043	Fillister head screw	12	on req.	-
1125	42443003043	Circlip M4	9	on req.	-
1130	31413230000	Cable grommet	1	on req.	-
1140	30719688010	Connecting cable	1	on req.	-
1158	30707424010	Cable with plug	1	on req.	-
1170	30701282010	Switch	1	on req.	-
1210	33904412000	EPP insert	1	on req.	-
1220	30762397990	Electronics 110V-230V,50/60Hz	1	on req.	-
1230	41138025006	Hose socket	2	on req.	-
1235	40611012000	Sealing ring	2	on req.	-
1240	32716027010	Valve	1	on req.	-
1250	92601024010	Pump	1	on req.	-
1260	31414067000	Hose	2	on req.	-
1290	32119120000	Handle	1	on req.	-
1300	32429134000	Cover	1	on req.	-
1310	33216055000	Clamp	1	on req.	-
1320	42443004057	Circlip M5	2	on req.	-
1330	43033009052	Cylinder head screw M5X12	2	on req.	-
1340	30723054002	Screw connection	1	on req.	-
1345	40612115003	Sealing ring	1	on req.	-
1350	30723055006	Nut	1	on req.	-
1360	30217354000	Bolt	1	on req.	-
1370	40612146003	Sealing ring	1	on req.	-
1380	43035119083	Cylinder head screw	1	on req.	-
1385	40611013000	Sealing ring	1	on req.	-
1390	30240276000	Bolt	1	on req.	-
1400	43059015056	Countersunk screw	1	on req.	-
1410	32901048000	Filter	1	on req.	-
1420	32132030010	Container	1	on req.	-
1430	33206050000	Holder	2	on req.	-
1435	31414066000	Hose	1	on req.	-
1440	63901039020	QuickIN output	1	on req.	-
1460	43035126051	Cylinder head screw	2	on req.	-
1600	33401091000	Shaft	1	on req.	-
1610	40238065002	Clamping sleeve	1	on req.	-
1620	30901341000	Spiral spring	1	on req.	-
1630	30503145006	Sleeve	1	on req.	-
1640	32408389000	Disc	1	on req.	-
1650	42616075007	Circlip	1	on req.	-
1660	41708025004	Ball	4	on req.	-
1670	30907063003	Spiral spring	1	on req.	-

Type:
Part no.:

KBM 80 U (60Hz,120V)
72703409360

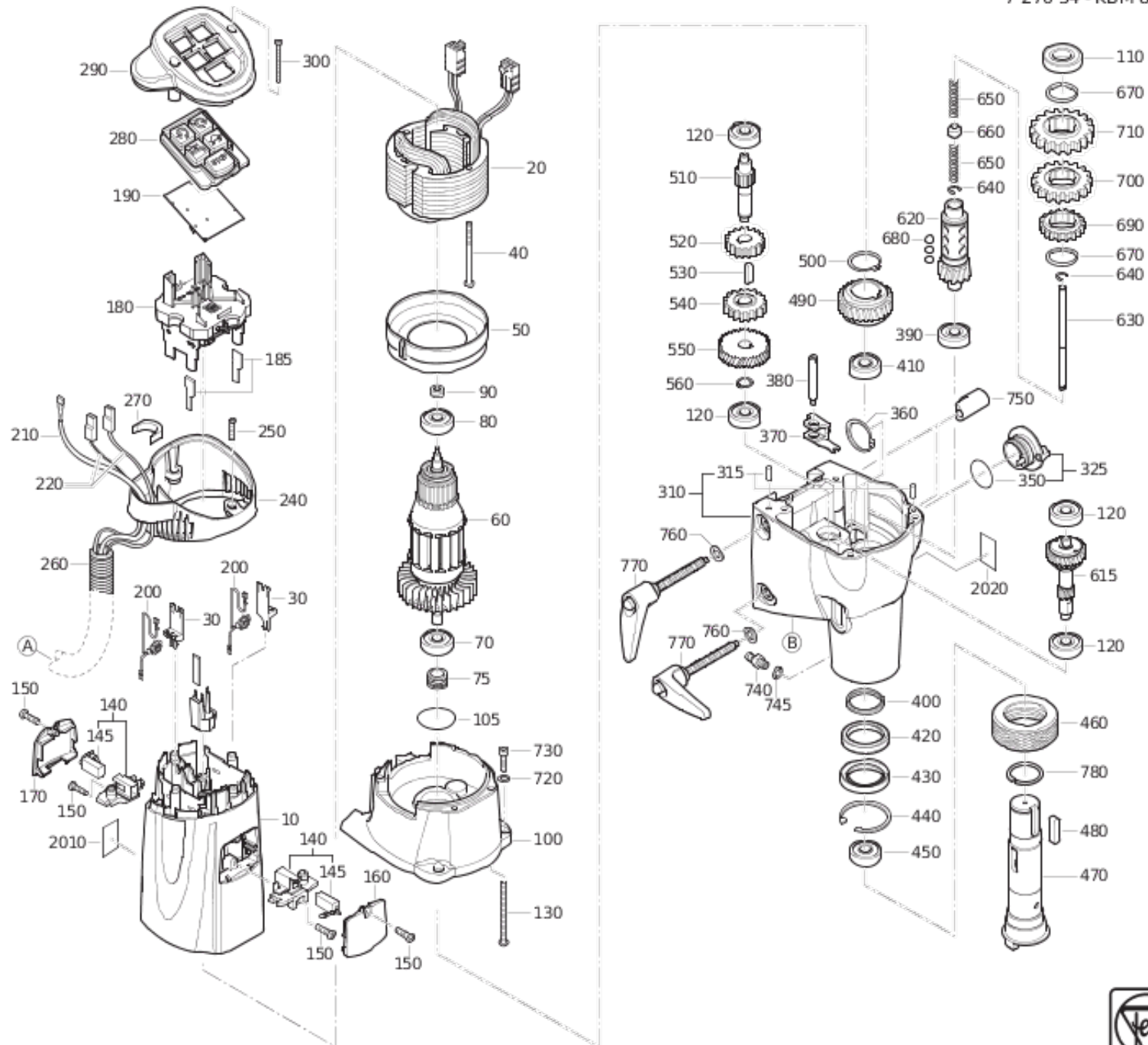


Item	Part no.	Designation	Quantity	Price RPR excl. VAT (USD)	AT
1680	30232045005	Clamping sleeve	1	on req.	-
1690	42643009005	Circlip	1	on req.	-
1890	30605119005	Seal	1	on req.	-
1900	40612025003	Sealing ring	1	on req.	-
1910	40612038007	Sealing ring	1	on req.	-
1920	31414065000	Hose	1	on req.	-
1930	32132030000	Container	1	on req.	-
1940	40612169000	Sealing ring	1	on req.	-
1950	31420122000	Cap	1	on req.	-
2000	32214002000	Information sign	1	on req.	-
2010	32217406002	Information sign	1	on req.	-
2020	32217416000	Information sign	1	on req.	-
5000	33901121020	Tool box ass.	1	on req.	-
5010	63305003003	Drift keys	1	on req.	-
5020	63901038020	QuickIN MAX output	1	on req.	-
5030	64201001000	Hook f. chip removal	1	on req.	-
5040	63901023020	Key-type drill chuck with QuickIN holder	1	on req.	-
5050	30217332009	Centering pins	1	on req.	-
5060	30217333003	Centering pins	1	on req.	-
5070	32174008007	Lashing strap	1	on req.	-
5080	31810259000	Protection plate	1	on req.	-
5130	33413062000	Shaft	1	on req.	-
5140	32103042010	Wheel	1	on req.	-
5150	42448001080	Disc	2	on req.	-
5160	30232050000	Wire clamp	2	on req.	-
5170	62914004007	Chuck key	1	on req.	-
5180	63202037010	Key-type drill chucks	1	on req.	-
5190	63901023002	QuickIN-adaptor	1	on req.	-
5200	42019006080	Nut	2	on req.	-
5210	30510088000	Bush	2	on req.	-
5300	33401092000	Mounting shaft MK3	1	on req.	-
5310	41708025004	Ball	4	on req.	-
5320	30901341000	Spiral spring	1	on req.	-
5330	30503145006	Sleeve	1	on req.	-
5340	32408389000	Disc	1	on req.	-
5350	42616075007	Circlip	1	on req.	-
5360	30503162000	Sleeve	1	on req.	-
5370	30901385000	Spiral spring	1	on req.	-
5380	32408439000	Disc	1	on req.	-
5390	42643018000	Circlip	1	on req.	-
5400	40608080000	Sealing ring	1	on req.	-
6000	32132007189	Lubricant can 0,850 kg	1	on req.	-
9000	34101126210	Operating instructions	1	on req.	-
9010	34151097010	List of spare parts KBM80 U	1	on req.	-
9020	34130054061	Safety instruction	1	on req.	-

Type:
Part no.:

KBM 80 U (60Hz,120V)
72703409360

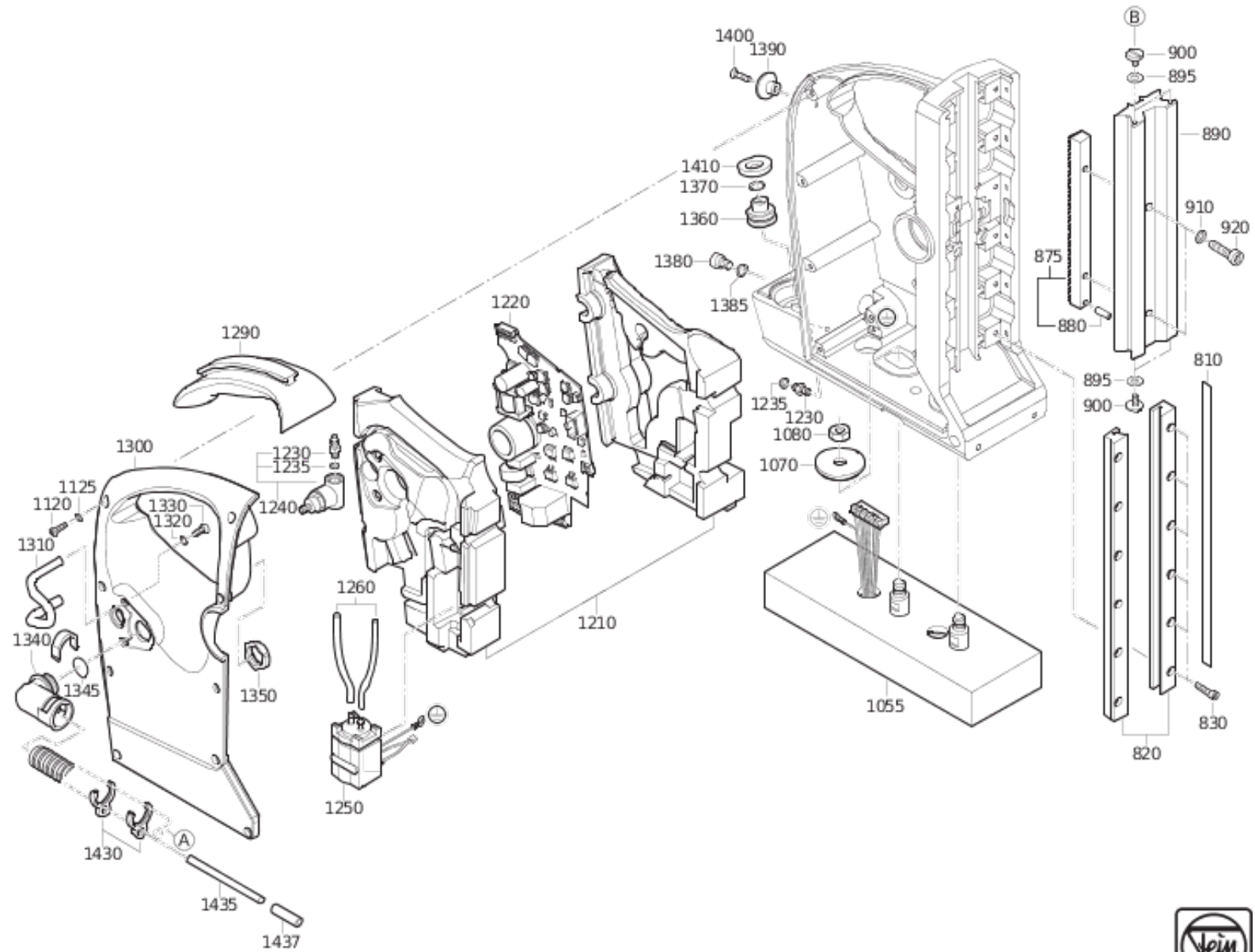
7 270 34 - KBM 80 U



Type:
Part no.:

KBM 80 U (60Hz,120V)
72703409360

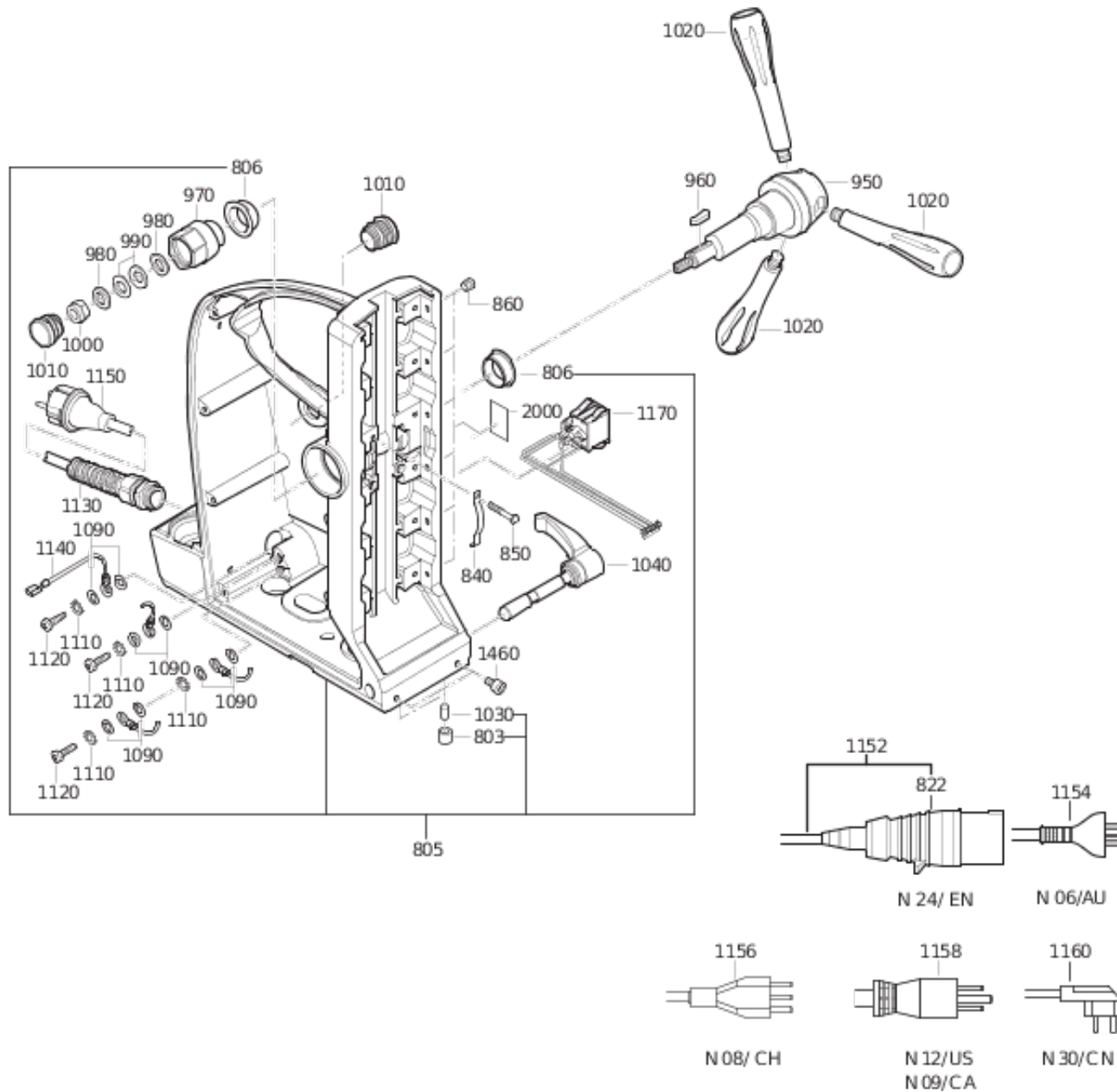
7 270 34 - KBM 80 U



Type:
Part no.:

KBM 80 U (60Hz,120V)
72703409360

7 270 34 - KBM 80 U



Type:
Part no.:

KBM 80 U (60Hz,120V)
72703409360

7 270 34 - KBM 80 U

