



# Operating Instructions and Parts Manual Drum Sander

Models JWDS-1632, JWDS-1836

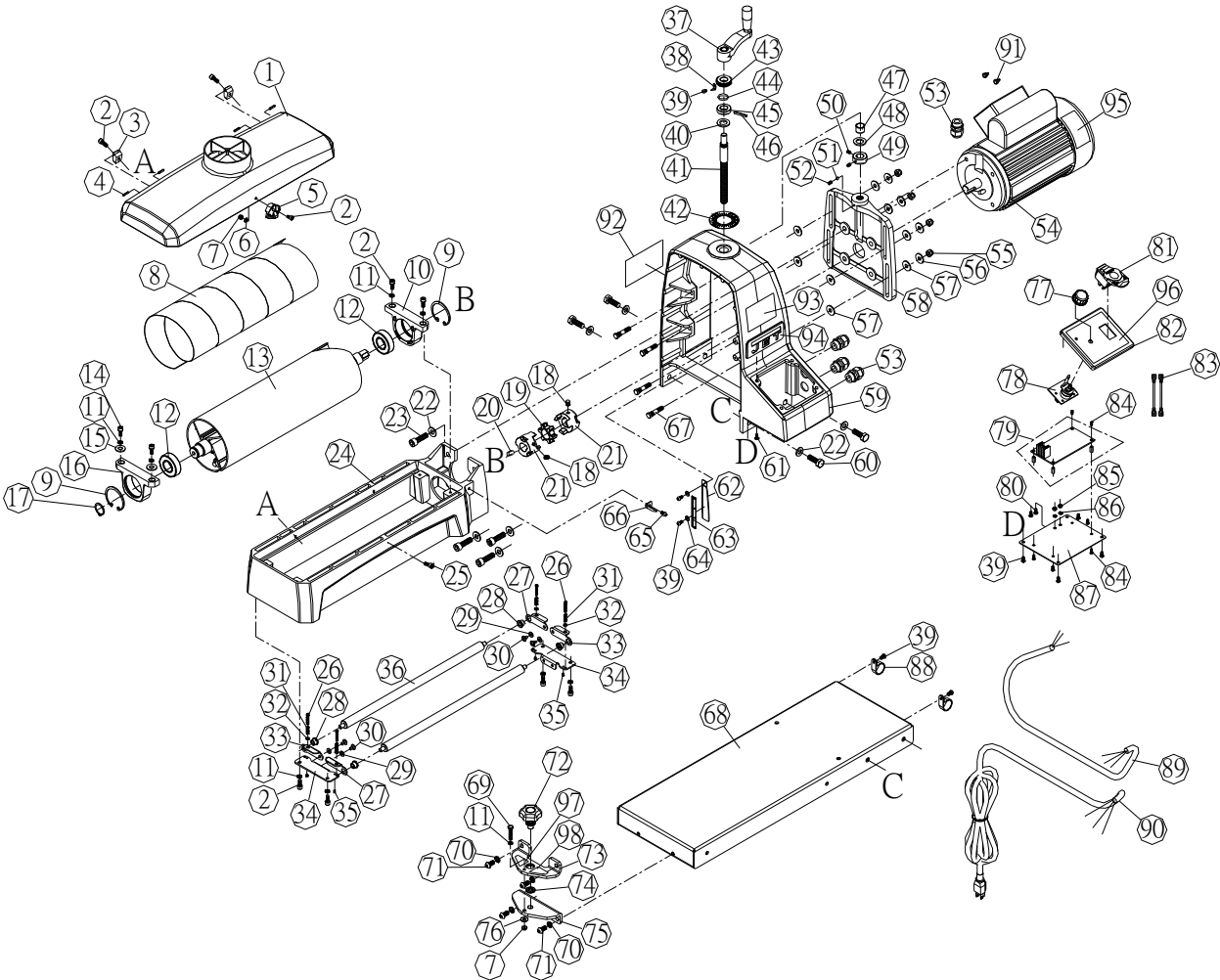


Model JWDS-1632 shown with optional infeed/outfeed tables

**JET**  
427 New Sanford Road  
LaVergne, Tennessee 37086  
Ph.: 800-274-6848  
[www.jettools.com](http://www.jettools.com)

**Part No. M-723520**  
Edition 2 10/2016  
Copyright © 2016 JET

15.1.1 JWDS-1632/-1836 Head Assembly – Exploded View



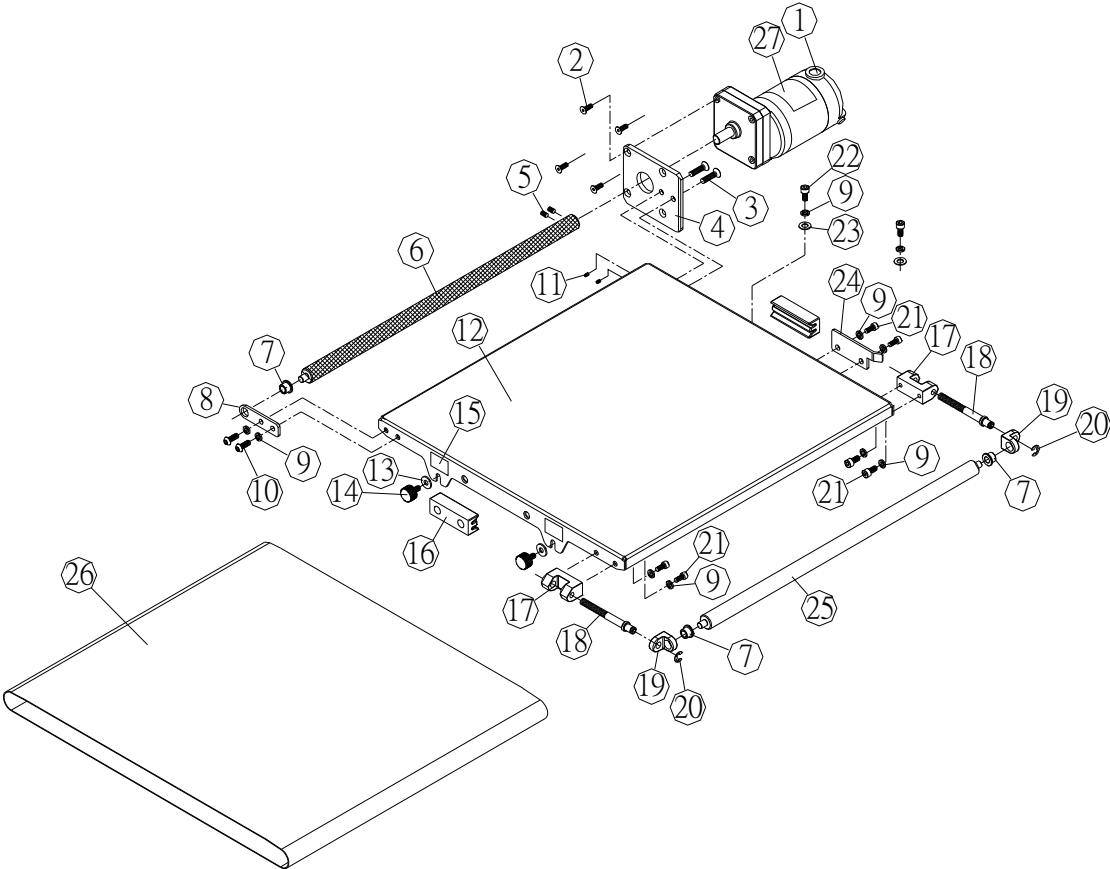
## 15.1.2 JWDS-1632/-1836 Head Assembly – Parts List

Index No	Part No	Description	Size	Qty
1	JWDS1632-101	Dust Hood		1
	JWDS1836-101	Dust Hood		1
2	TS-1503041	Socket Head Cap Screw	M6 x 1.0P x 16L	9
3	JWDS1632-103	Drum Carriage Hinge		2
4	40317-15	Spring Pin	3 x 14L	4
5	PM2244-109	Knob		1
6	F002636	Flat Washer, BO	6 x 12 x 1T	1
7	F001753	Nyloc Nut BO	M6 x 1.0P	2
8		Abrasive (see sect. 14.0 for replacements)		1
9		Retainer Ring (Re:13A)	RTW-52	2
10		Inboard Bearing Housing (Re:13A)		1
11	TS-2361061	Lock Washer	M6	9
12		Ball Bearing (Re:13A)	6205VV	2
13		Drum (Re:13A)		1
13A	JWDS1632-113A	Drum Assembly (includes #2, 9-21)		1
	JWDS1836-113A	Drum Assembly (includes #2, 9-21)		1
14	F005384	Socket Head Cap Screw	M6 x 1.0P x 25L	2
15	JWDS1632-115	Flat Washer	6.5 x 19 x 3t	2
16		Outboard Bearing Housing (Re:13A)		1
17		Retainer Ring (Re:13A)	STW-25	1
18	F010408	Socket Set Screw	M8 x 1.25P x 10L	2
19		Rubber Cushion (Re:13A)		1
20		Key (Re:13A)	8 x 7 x 20L	2
21		Coupling (Re:13A)		2
22	F002643	Flat Washer	10 x 20 x 2.0T	8
23	F005430	Socket Head Cap Screw	M10 x 1.5P x 35L	4
24	JWDS1632-124	Drum Carriage		1
	JWDS1836-124	Drum Carriage		1
25	TS-1502021	Socket Head Cap Screw	M5 x 0.5P x 10L	1
26	JWDS1632-126	Phillips Round Head Screw	M4 x 0.7P x 25L	4
27	PM2244-129	Left Tension Roller Suspension Bracket		2
28	PM2244-130	Oilite Bushing		4
30	PM2244-132	Shoulder Screw		4
29	TS-1550041	Flat Washer	6.5 x 13 x 1T	4
31	PM2244-125	Compression Spring		4
32	TS-1550021	Flat Washer	4.2 x 8 x 0.8T	4
33	PM2244-131	Right Tension Roller Suspension Bracket		2
34	PM2244-128	Tension Roller Bracket		2
35	JWDS1632-135	Socket Head Set Screw w/LocTite	M4 x 0.7P x 5L	4
36	JWDS1632-136	Tension Roller		2
	JWDS1836-136	Tension Roller		2
37	JWDS1632-137	Crank Handle		1
38	JWDS1632-138	Pointer		1
39	JWDS1632-139	Phillips Round Head Screw	M5 x 0.8P x 8L	9
40	JWDS1632-140	Oilite Washer		1
41	JWDS1632-141	Height Adjusting Screw		1
42	JWDS1632-142	Incremental Depth Scale		1
43	JWDS1632-143	Dial		1
44	JWDS1632-144	O-Ring	P11	1
45	JWDS1632-145	Collar		1
46	JWDS1632-146	Spring Pin	4 x 30L	1
47	JWDS1632-147	Oilite Bushing		1
48	JWDS1632-148	Nylon Washer		1
49	JWDS1632-149	Collar		1
50	TS-1523031	Socket Head Set Screw	M6 x 1.0P x 10L	2
51	PM2244-184	PU Block		1
52	5302731	Socket Head Set Screw	M8 x 1.25P x 6L	1
53	JWDS1632-153	Strain Relief	PG 13.5	4

NOTE: JWDS-1632 and JWDS-1836 have different parts on Index #1, 13A, 24, 36, 54.

Index No	Part No	Description	Size	Qty
54	JWDS1632-154	Motor	1.5HP, 115V, 60Hz	1
	JWDS1632-154SC	Starting Capacitor (not shown)	300MFD 125VAC	1
	JWDS1632-154SCC	Starting Capacitor Cover (not shown)		1
	JWDS1632-154FC	Fan Cover (not shown)		1
	JWDS1632-154CF	Cooling Fan (not shown)		1
	JWDS1836-154	Motor	1.75HP, 115V, 60Hz	1
	JWDS1632-154SC	Starting Capacitor (not shown)	300MFD 125VAC	1
	JWDS1632-154SCC	Starting Capacitor Cover (not shown)		1
	JWDS1836-154RC	Running Capacitor (not shown)	50µF 250VAC	1
	JWDS1632-154FC	Fan Cover (not shown)		1
	JWDS1632-154CF	Cooling Fan (not shown)		1
55	TS-1541031	Nyloc Nut	M8 x 1.25P	4
56	TS-1550061	Flat Washer	8.2 x 23 x 2T	4
57	JWDS1632-157	Oilite Washer		8
58	JWDS1632-158	Motor Plate		1
59	JWDS1632-159	Motor Shroud		1
60	TS-1491041	Hex Cap Screw	M10 x 1.5P x 30L	4
61	JWDS1632-161	Self Tapping Screw	M4 x 15L	4
62	JWDS1632-162	Depth Scale Bracket (includes #63)		1
63	JWDS1632-163	Depth Scale		1
64	TS-1550031	Flat Washer	5.1 x 12 x 1T	2
65	TS-1534032	Phillips Pan Hd Machine Screw	M6 x 1.0P x 10L	1
66	JWDS1632-166	Pointer		1
67	JWDS1632-167	Stud		4
68	JWDS1632-168	Base		1
69	TS-1482061	Hex Cap Screw	M6 x 1.0P x 30L	1
70	TS-2361081	Lock Washer	M8	4
71	TS-2248162	Socket Head Button Screw	M8 x 1.25 x 16L	4
72	JWDS1632-172	Knob		1
73	JWDS1632-173	Parallel Adjust Moving Bracket		1
74	JWDS1632-174	Oilite Washer		1
75	JWDS1632-175	Parallel Adjust Fixed Bracket		1
76	TS-1550041	Flat Washer	6.5 x 19 x 2T	1
77	PM2244-196	Knob		1
78	JWDS1632-178	Potentiometer		1
79	JWDS1632-179	Circuit Board		1
80	TS-1533042	Phillips Pan Hd Machine Screw	M5 x 0.8P x 12L	2
81	JSG96-135	Switch		1
	JSG96-135A	Switch Key (not shown)		1
82	JWDS1632-182	Control Panel		1
83	JWDS1632-183	Internal Connection Cable		1
84	TS-1531012	Phillips Pan Hd Machine Screw	M3 x 0.5P x 5L	8
85	TS-1540031	Hex Nut	M5 x 0.8P	2
86	F002097	Lock Washer, Ext. Tooth	M5	2
87	JWDS1632-187	Circuit Board Holder		1
88	JWDS1632-188	Cable Management	ACC-8-B	2
89	JWDS1632-189	Motor Cable		1
90	JWDS1632-190	Power Cable		1
91	JWDS1632-191	Wiring Nut	SW-P4H	2
92	LM000237	ID Label, JWDS-1632		1
93	LM000238	Warning Label		1
94	JWDS1632-194	JET Logo	113x47mm	1
95	JWDS1632-195	Motor Label		1
96	JWDS1632-196	Control Panel Label		1
97	JWDS1632-197	Left Parallel Adjust Label		1
98	JWDS1632-198	Right Parallel Adjust Label		1

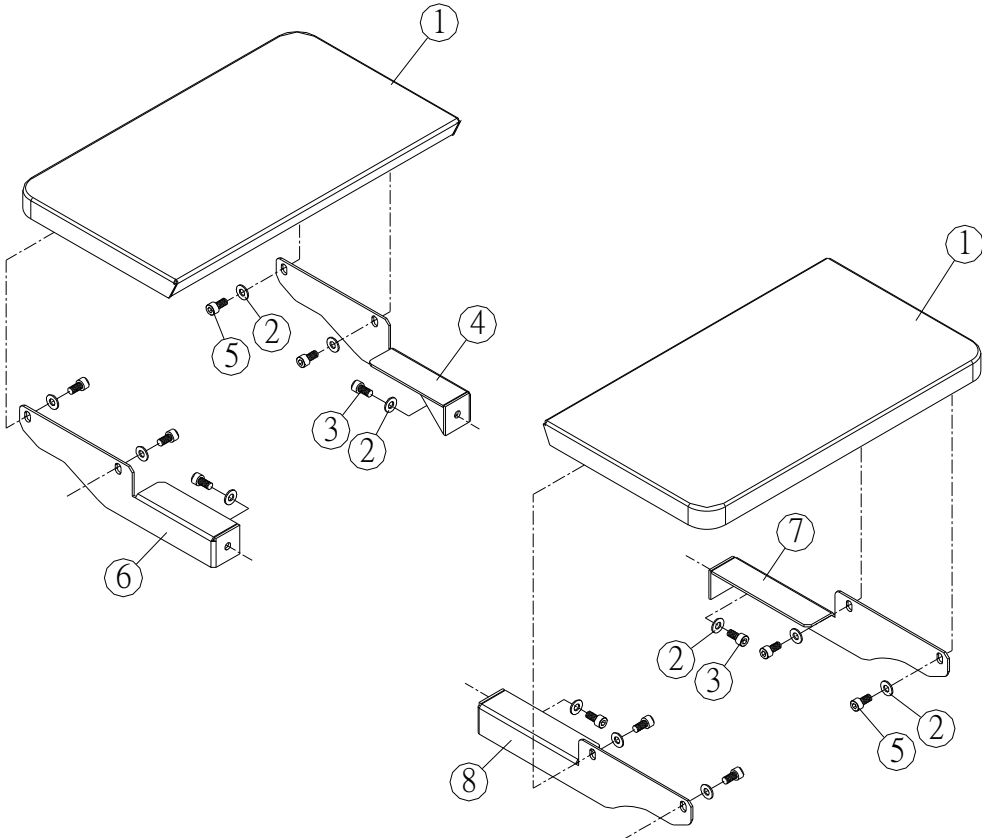
**15.2.1 JWDS-1632/1836 Conveyor Table Assembly – Exploded View**



**15.2.2 JWDS-1632/1836 Conveyor Table Assembly – Parts List**

Index No	Part No	Description	Size	Qty
1	JWDS1632-201	Belt Motor		1
2	F010839	Socket Head Flat Screw	#10-32 x 1/2"L	4
3	F010985	Socket Head Flat Screw	M6 x 1.0P x 35L	2
4	JWDS1632-204	Belt Motor Plate		1
5	TS-1522011	Socket Head Set Screw	M5 x 0.8P x 5L	2
6	JWDS1632-206	Drive Roller		1
7	PM2244-130	Oilite Bushing		3
8	JWDS1632-208	Drive Roller Bracket		1
9	TS-2361061	Lock Washer	M6	8
10	TS-2246162	Socket Head Button Screw	M6 x 1.0P x 16L	2
11	TS-1521021	Socket Head Set Screw	M4 x 0.7P x 5L	2
12	JWDS1632-212	Conveyor Table		1
13	TS-1550041	Flat Washer	6.4 x 19 x 1.5T	2
14	JWDS1632-214	Table Lock Knob		2
15	LM000236	Caution Label – Table Lock		2
16	PM2244-213	Tracker Kit (set of 2)		2
17	JWDS1632-217	Bracket		2
18	JWDS1632-218	Adjusting Rod		2
19	JWDS1632-219	Driven Roller Bracket		2
20	JWDS1632-220	Retaining Ring	ETW-7	2
21	TS-1503031	Socket Head Cap Screw	M6 x 1.0P x 12L	6
22	TS-1503041	Socket Head Cap Screw	M6 x 1.0P x 16L	2
23	TS-0680021	Flat Washer	1/4" x 16 x 2T	2
24	JWDS1632-224	Guide Plate		1
25	JWDS1632-225	Driven Roller		1
26	JWDS1632-226	Conveyor Belt		1
27	JWDS1632-227	Belt Motor Label		1

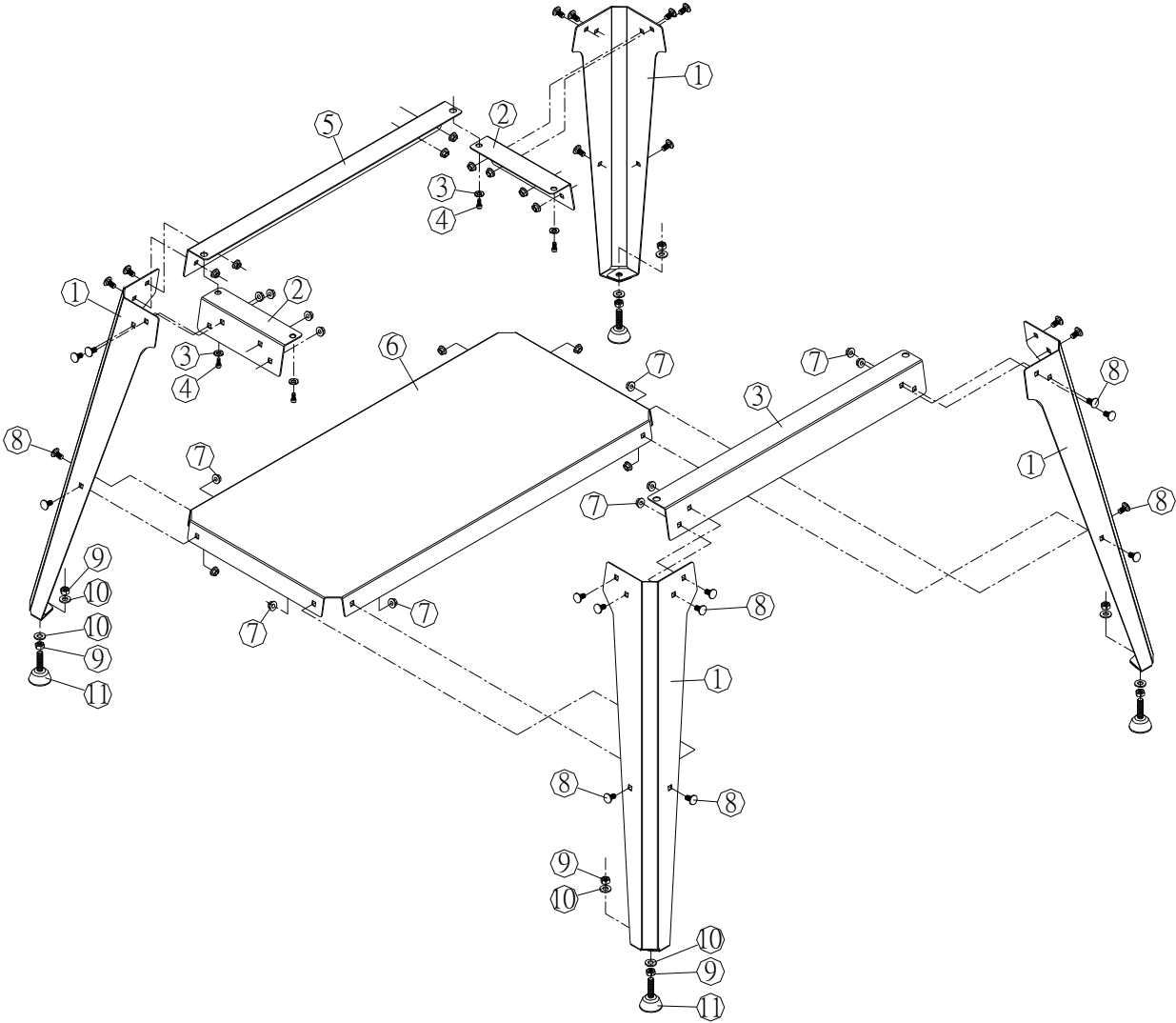
**15.3.1 JWDS-1632/-1836 Infeed and Outfeed Tables (OPTIONAL) – Exploded View**



**15.3.2 JWDS-1632/-1836 Infeed and Outfeed Tables (OPTIONAL) – Parts List**

Index No	Part No	Description	Size	Qty
.....	723521	Infeed/Outfeed Tables (includes #1-8)	.....	.....
1	JWDS1632-401	Extension Table	.....	2
2	TS-1550061	Flat Washer	8.3 x 18 x 1.5T	12
3	TS-1504031	Socket Head Cap Screw	M8 x 1.25P x 16L	4
4	JWDS1632-404	Rear-Right Table Bracket	.....	1
5	TS-1504021	Socket Head Cap Screw	M8 x 1.25P x 12L	8
6	JWDS1632-405	Rear-Left Table Bracket	.....	1
7	JWDS1632-406	Front-Right Table Bracket	.....	1
8	JWDS1632-407	Front-Left Table Bracket	.....	1

15.4.1 JWDS-1632/-1836 Open Stand Assembly – Exploded View



15.4.2 JWDS-1632/-1836 Open Stand Assembly – Parts List

Index No	Part No	Description	Size	Qty
	723520S	Open Stand Assembly (includes #1-11)		1
1	JWDS1632-301	Leg		4
2	JWDS1632-302	Short Rail		2
3	TS-1550061	Flat Washer	8.3 x 18 x 1.5T	4
4	TS-1504031	Socket Head Cap Screw	M8 x 1.25P x 16L	4
5	JWDS1632-305	Long Rail		2
6	JWDS1632-306	Shelf		1
7	JWDS1632-307	Flange Lock Nut	M8 x 1.25P	24
8	JWDS1632-308	Carriage Bolt	M8 x 1.25P x 16L	24
9	TS-1540071	Hex Nut	M10 x 1.5P	8
10	TS-1550071	Flat Washer	10 x 20 x 2.0T	8
11	JWDS1632-311	Leveling Foot		4