

**Type:** CG 13-150  
**Part no.:** 72228309360

<b>Item</b>	<b>Part no.</b>	<b>Designation</b>	<b>Quantity</b>
10	31324000003	Motor housing	1
20	31324000008	Stator	1
30	31324000012	Switch	1
40	31324000019	Electronics	1
42	31324000014	Seal	1
50	31324000022	Control rod	1
55	31324000025	Spring	1
60	31324000029	Slide switch	1
80	31324000031	Brush holder	2
85	31324000033	Fillister head screw	2
90	31324000036	Carbon brush	1
100	31324000039	Housing	1
110	31324000043	Cover	1
115	31324000044	Fillister head screw	1
120	31324000045	Cover	2
125	31324000048	Fillister head screw	3
130	31324000051	Cable grommet	1
140	31324000056	Cable with plug	1
150	31324000058	Cable clamping piece	1
180	31324000061	Air guide ring	1
400	31324000064	Gearbox housing	1
450	31324000067	Pushbutton	1
460	31324000069	Lever	1
500	31324000075	Bearing plate	1

**Type:** CG 13-150  
**Part no.:** 72228309360

<b>Item</b>	<b>Part no.</b>	<b>Designation</b>	<b>Quantity</b>
520	31324000076	Washer	1
530	31324000077	Sealing ring	1
540	31324000079	Screw	4
550	31324000080	Sealing ring	1
600	31324000082	Air guide ring	1
700	31324000088	Armature	1
710	31324000090	Grooved ball bearing	1
730	31324000092	Grooved ball bearing	1
740	31324000094	Circlip	1
745	31324000095	Ring	1
750	31324000096	Grooved ball bearing	1
755	31324000097	Sealing ring	1
770	31324000098	Fillister head screw	3
780	31324000099	Nut	1
790	31324000100	Fillister head screw	1
900	31324000103	Wheel guard	1
905	31324000143	Safety hood for cutting work	1
910	31324000105	Inner flange	1
912	31324000107	Sealing ring	1
930	63802198000	Quick-clamping nut	1
940	31324000111	anti-vibration handle	1
2000	31324000112	Information sign	1
2010	31324000117	Company nameplate	1
2020	31324000124	Type plate	1

**Type:** CG 13-150  
**Part no.:** 72228309360

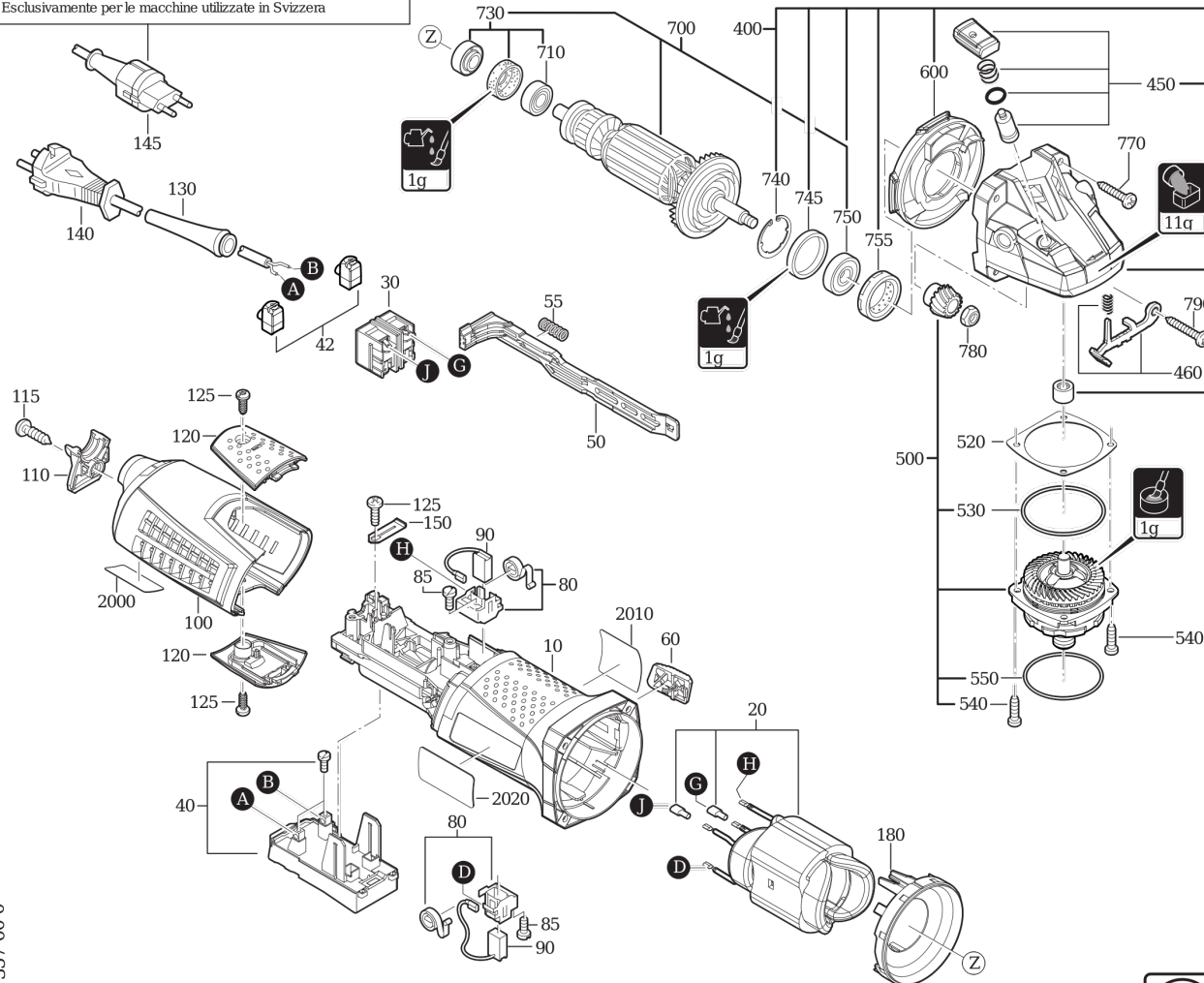
---

<b>Item</b>	<b>Part no.</b>	<b>Designation</b>	<b>Quantity</b>
5000	62910022002	Bidirectional nut spanner	1

Type:  
Part no.:

CG 13-150  
72228309360

Ausschließlich für Maschinen die in der Schweiz betrieben werden  
Exclusively for machines operated in Switzerland  
Exclusivement pour les machines exploitées en Suisse  
Esclusivamente per le macchine utilizzate in Svizzera

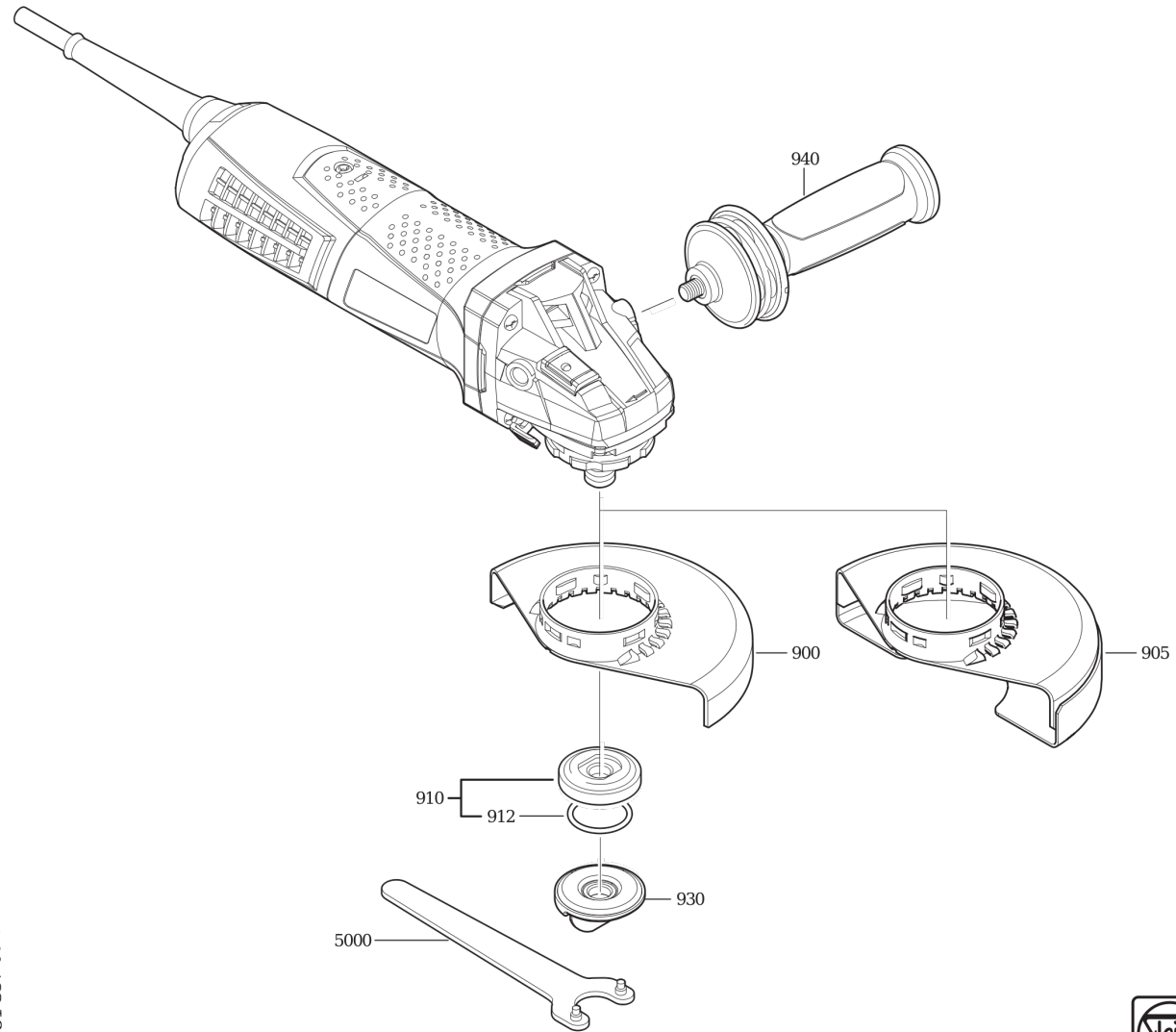


3 41 51 357 00 0



Type:  
Part no.:

CG 13-150  
72228309360



3 41 51 357 00 0

