

Type:

N.A. (50Hz,110V)



Part no.:

72216624110

Item	Part no.	Designation	Quantity	Price RPR excl. VAT (USD)	AT
0015	52277030110	Stator unit 110-120V,50/60Hz	1	on req.	-
0060	30762393990	Speed setting switch 110V-120V 50/60Hz	1	on req.	-
0065	31413232000	Insulating hose	1	on req.	-
0070	30701285000	Switch	1	on req.	-
0080	43041039999	Fillister head screw	2	on req.	-
0090	32427139000	Housing insert	1	on req.	-
0100	32816072000	Control rod	1	on req.	-
0110	32805223000	Slide switch	1	on req.	-
0120	32805224000	Cover	1	on req.	-
0140	32431026009	Cable clamping piece	1	on req.	-
0150	43070006008	Screw	2	on req.	-
0194	30711152000	Carbon brush 100-120V,50/60Hz	2	on req.	-
0195	30712093080	Brush holder Set 100-120V,50/60Hz	1	on req.	-
0230	31420124000	Cover	1	on req.	-
0250	31413237000	Protective hose	1	on req.	-
0265	30728288004	Plug	1	on req.	-
0267	30707449010	Cable with plug GB	1	on req.	-
0275	31912097010	Motor housing	1	on req.	-
0290	43074008000	Screw TX20 40X18	5	on req.	-
0405	31206142020	Gearbox housing	1	on req.	-
0410	41705019001	Needle sleeve	1	on req.	-
0430	30217335005	Bolt	1	on req.	-
0440	40612137008	Sealing ring	1	on req.	-
0450	30901365007	Spiral spring	1	on req.	-
0460	32805200008	Pushbutton	1	on req.	-
0470	31341001000	Bearing plate	1	on req.	-
0480	41701010054	Grooved ball bearing	1	on req.	-
0490	32416101009	Plate	1	on req.	-
0500	33406284009	Shaft	1	on req.	-
0515	33809229012	Bevel gear	1	on req.	-
0520	32624117009	Disc	1	on req.	-
0530	42443003043	Circlip M4	4	on req.	-
0540	43064024043	Fillister head screw	4	on req.	-
0740	30507236000	Bearing bush	1	on req.	-
0750	53277003360	Armature	1	on req.	-
0760	42615081002	Circlip	1	on req.	-
0762	32408434000	Disc	1	on req.	-
0764	42632003000	Circlip	1	on req.	-
0770	41701001260	Grooved ball bearing	1	on req.	-
0780	32172011004	Ring magnet	1	on req.	-
0790	32416108003	Plate	1	on req.	-
0800	41701007266	Grooved ball bearing	1	on req.	-
0810	43074007000	Screw TX20 40X13	2	on req.	-
0820	43074009000	Screw TX20 40X20	2	on req.	-
0900	31341006000	Housing	1	on req.	-
0910	43035017057	Cylinder head screw M5X20	1	on req.	-
0920	31341007000	Slider	1	on req.	-
0930	31341008000	Screw	1	on req.	-
0940	31341014000	Roller	1	on req.	-

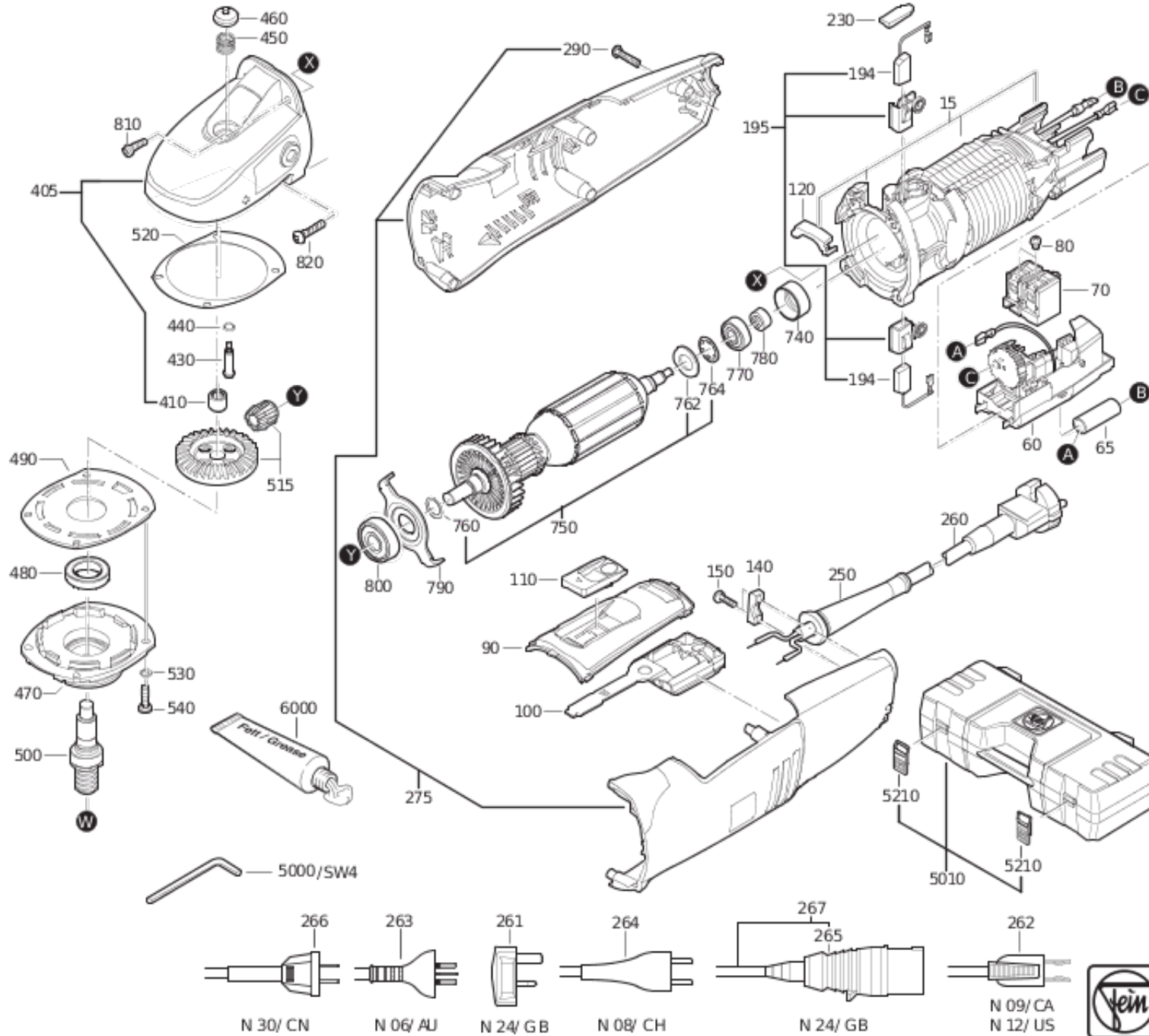
Type:**N.A. (50Hz,110V)****Part no.:****72216624110**

Item	Part no.	Designation	Quantity	Price RPR excl. VAT (USD)	AT
0950	31341013000	Ring	2	on req.	-
0960	31341012000	Grooved ball bearing	6	on req.	-
0970	31341011000	Bolt	2	on req.	-
0980	43035096049	Cylinder head screw	2	on req.	-
0990	31341015000	Hex nut	3	on req.	-
1000	31341004000	Roller	1	on req.	-
1010	31341020000	Circlip	2	on req.	-
1020	31341019000	Ring	1	on req.	-
1030	31341018000	Sleeve	1	on req.	-
1040	31341003000	Grinding arm	1	on req.	-
1050	31341021000	Needle roller	2	on req.	-
1060	31341023000	Sleeve	1	on req.	-
1070	31341022000	Bolt	1	on req.	-
1080	31341024000	Spiral spring	1	on req.	-
1090	31341017000	Bolt	1	on req.	-
1100	42401012049	Disc M4	1	on req.	-
1110	43035082041	Cylinder head screw M4X55	1	on req.	-
1120	31341016000	Roller	1	on req.	-
1130	31341032000	Protection plate	1	on req.	-
1140	31341034000	Fillister head screw	2	on req.	-
1150	31341026000	Handle	1	on req.	-
1160	31341025000	Handle	1	on req.	-
1170	31341033000	Protective cap	2	on req.	-
1180	31341005000	Shaft	1	on req.	-
1190	31341030000	Disc	2	on req.	-
1200	31341029000	Roller	1	on req.	-
1210	42616008009	Circlip	1	on req.	-
5000	62907010000	Allen key SW4	1	on req.	-
5010	33901130050	Tool case	1	on req.	-
5210	30232050000	Wire clamp	2	on req.	-
6000	32160003014	Lubricant tube 0,085 kg	1	on req.	-
9000	34101150060	Operating instructions	1	on req.	-
9010	34151150000	List of spare parts RS10-70E	1	on req.	-
9020	34130054061	Safety instruction	1	on req.	-

Type:
Part no.:

N.A. (50Hz,110V)
72216624110

7 221 66 - R.S10-70E



Type:
Part no.:

N.A. (50Hz,110V)
72216624110

7 221 66 - RS10-70E

