





#722151, Side Roller Table for 15-inch Planer

IMPORTANT SAFETY INSTRUCTIONS

- Review all instructions before assembling the table. Improper assembly can cause personal injury and/or property damage.
- Familiarize yourself with all safety and operating instructions for your JET planer before using this accessory.
- Do not overload the side table.
- Do not stand on the side table.

 **WARNING:** This product can expose you to chemicals including lead which is known to the State of California to cause cancer and birth defects or other reproductive harm. For more information go to <http://www.p65warnings.ca.gov>.

 **WARNING:** Drilling, sawing, sanding or machining wood products generates wood dust and other substances known to the State of California to cause cancer. Avoid inhaling dust generated from wood products or use a dust mask or other safeguards for personal protection.

Wood products emit chemicals known to the State of California to cause birth defects or other reproductive harm. For more information go to <http://www.p65warnings.ca.gov/wood>.

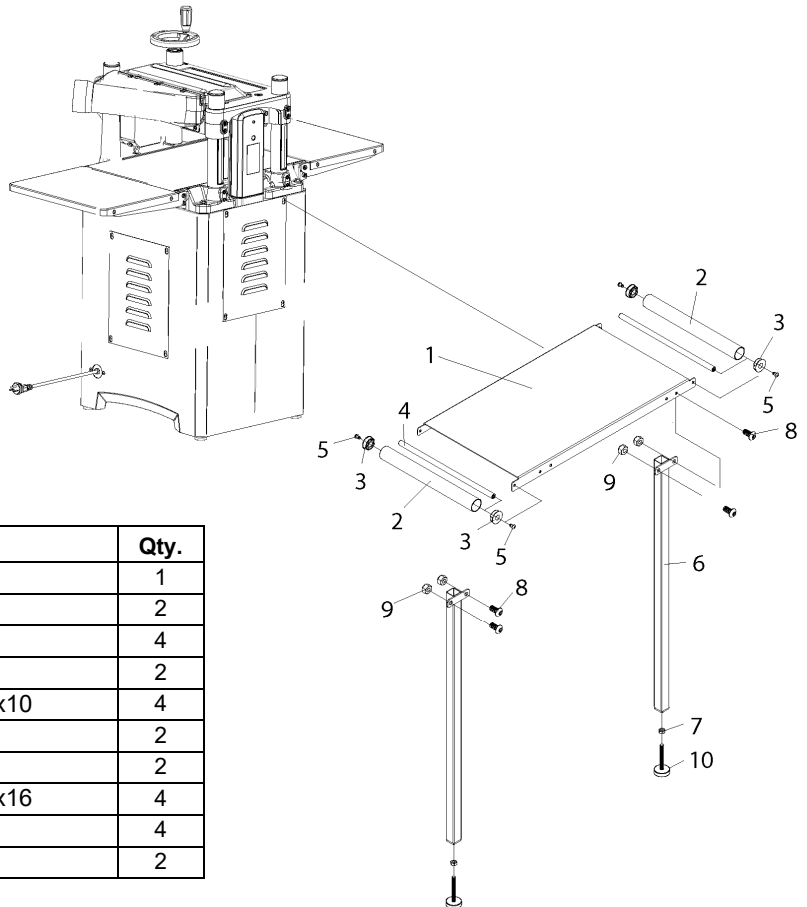
Tools required for assembly:

- Hex keys 4mm,5mm
- Open-end wrench 13mm
- Bubble level

Assembly instructions

Numbers in parentheses refer to drawing.

1. Screw leveling pads (10) with hex nuts (7) into leg ends.
2. Install legs (6) to inside table edge and tighten screws.
3. Install table to drive belt side of planer, using the existing screws in planer. Do not fully tighten.
4. Place a level on table in both directions, and turn pads (10) in or out until table is level. Tighten nuts (7) up against legs to secure setting.
5. Fully tighten screws on planer.



Replacement Parts

Index no.	Part no.	Description	Qty.
1	JWP15B-801	Roller Table	1
2	JWP15B-802	Roller	2
3	JWP15B-803	Bushing	4
4	JWP15B-804	Shaft	2
5	TS-2246102	Socket Head Button Screw M6x10	4
6	JWP15B-806	Leg	2
7	TS-1540061	Hex Nut M8	2
8	TS-2248162	Socket Head Button Screw M8x16	4
9	TS-1541031	Hex Nylon Lock Nut M8	4
10	JWP15B-810	Leveler Pad	2

JET

427 New Sanford Road
LaVergne, Tennessee 37086
Ph.: 800-274-6848
www.jettools.com

Part No. M-722151

Edition 1 02/2020

Copyright © 2020 JET, a Division of JPW Industries, Inc.

To order parts or reach our service department, call 1-800-274-6848 Monday through Friday, 8:00 a.m. to 5:00 p.m. CST. Having the Model Number and Serial Number of your unit available when you call will allow us to serve you quickly and accurately.

Non-proprietary parts, such as fasteners, can be found at local hardware stores, or may be ordered from JET. Some parts are shown for reference only, and may not be available individually.

Specifications

Stock number	722151
Table surface (LxW)	24 x 12 in. (600 x 305 mm)
Table surface from floor	29 in. (736.6 mm)
Packaging dimensions	29.1 x 20.86 x 3.15 in. (740 x 530 x 80 mm)
Net weight	13.2 lbs. (6.0 kg)
Shipping weight	15.6 lbs. (7.1 kg)