

**Type:** BOS 16 (60Hz, 120V)  
**Part no.:** 72054709360

<b>Item</b>	<b>Part no.</b>	<b>Designation</b>	<b>Quantity</b>
10	53273010110	Armature 50/60Hz,110-120V Z=6	1
20	32416098005	Plate	1
30	41701007050	Grooved ball bearing	1
40	32612135000	Sealing ring	1
50	30711136002	Carbon brush	2
60	31406053007	Sleeve	1
61	31406053010	Sleeve Set	1
70	32172010005	Ring magnet	1
80	32424029000	Cover	2
90	43074013000	Screw	2
100	43072006001	Screw	4
120	30707489010	Cable with plug N09 60Hz120V	1
130	31903219000	Motor housing	1
140	51273006110	Stator 50/60Hz,110-120V	1
150	31428168000	Air guide ring	1
180	30712088029	Brush holder	2
190	43074013000	Screw	2
200	30762519990	Electronics	1
210	30719815010	Connecting cable	1
220	30719816010	Connecting cable	1
230	30719814010	Connecting cable	1
240	31204187000	Handle half shell	1
250	30701292010	Switch	1
260	32431043002	Cable clamping piece	1

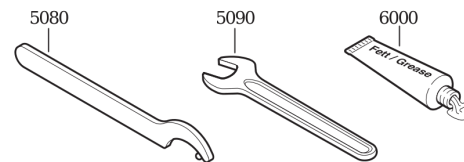
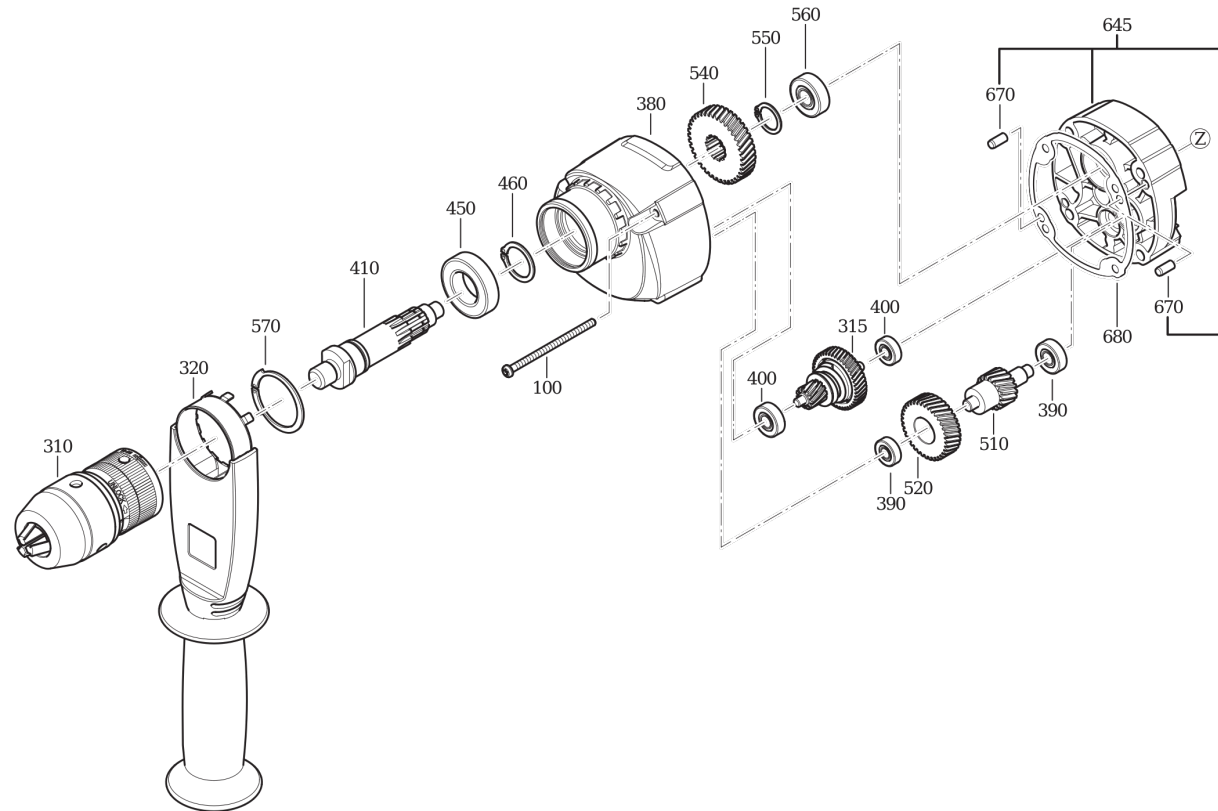
**Type:** BOS 16 (60Hz, 120V)  
**Part no.:** 72054709360

<b>Item</b>	<b>Part no.</b>	<b>Designation</b>	<b>Quantity</b>
270	43074010000	Screw	1
280	31204188000	Handle half shell	1
290	43072013005	Screw	2
300	43074008000	Screw	3
310	63205038010	Quick-action chucks	1
315	33761001010	Clutch	1
380	31508290000	Gearbox housing	1
390	41701001172	Grooved ball bearing	2
400	41701202018	Grooved ball bearing	2
410	33403121000	Shaft	1
450	41701109051	Grooved ball bearing	1
460	42616009003	Circlip	1
510	33763064000	Shaft, toothed Z=17	1
520	33661002000	Gear-wheel Z=36	1
540	33663174000	Gear-wheel Z=39	1
550	42616007001	Circlip	1
560	41701006034	Grooved ball bearing	1
570	42644013000	Circlip	1
645	31506383010	Intermediate gear box	1
670	40242058004	Pin	2
680	30610048000	Seal	1
2500	32217517000	RFID Transponder VE1	1
6000	32160003135	Lubricant tube 0,085 kg	1

**Type:**  
**Part no.:**

BOS 16 (60Hz, 120V)  
72054709360

7 205 47 - BOS 16



Type:  
Part no.:

BOS 16 (60Hz, 120V)  
72054709360

7 205 47 - BOS 16

