



## #717600 In-Line Cyclonic Chip Separator Assembly and Specifications

### Shipping contents:

#### #717600 – Chip Separator only

- 1 Chip separator
- 1 Assembly & specifications sheet
- 1 Mounting template
- 1 Product registration card
- 2 Wire hose clamps 4 in.
- 6 Washer head screws 1/4x3/4 in.
- 6 Flanged hex nuts 1/4 in.
- 1 Gasket
- 1 Wrench

#### #717650 – Chip Separator + JET collection bin

- 1 717600 Chip Separator, *all parts listed above*
- 1 Steel collection bin
- 4 Casters
- 1 Handle
- 2 Pan head screws 1/4x1/2 in.

### Assembly of JET Collection Bin

Turn bin upside-down and install casters by screwing them into the threaded holes. Tighten the nuts against the bin using the provided wrench.

Turn bin upright and install handle with 2 screws into threaded holes on side of bin.

### Assembly of Chip Separator

**CAUTION** Woodworking machine and dust collector must be turned off while installing chip separator.

If using the JET dust bin, the center opening and screw holes are predrilled.

If using a different container than the JET bin (see Figure 1), use the provided paper template to drill holes in the lid. Drill six 3/8-in. (9mm) holes for the screws, and cut out a center hole 5-in. (126mm) in diameter.

Place the gasket between separator and bin, and insert the screws from beneath lid. Secure with flanged hex nuts. See Figure 2.

Connect 4-inch diameter hoses (not included) from your woodworking machine and from your dust collection system. Secure these with the provided wire clamps. See Figure 2.



Figure 1: Types of compatible containers (JET bin shown at right)

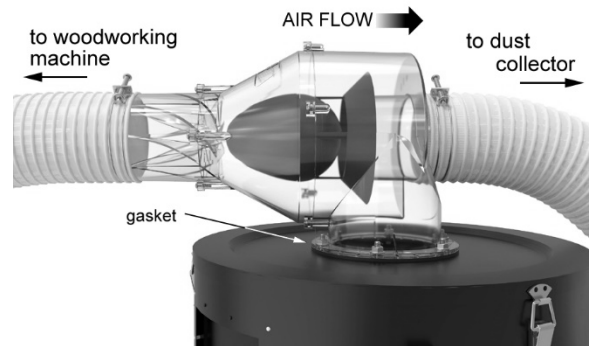


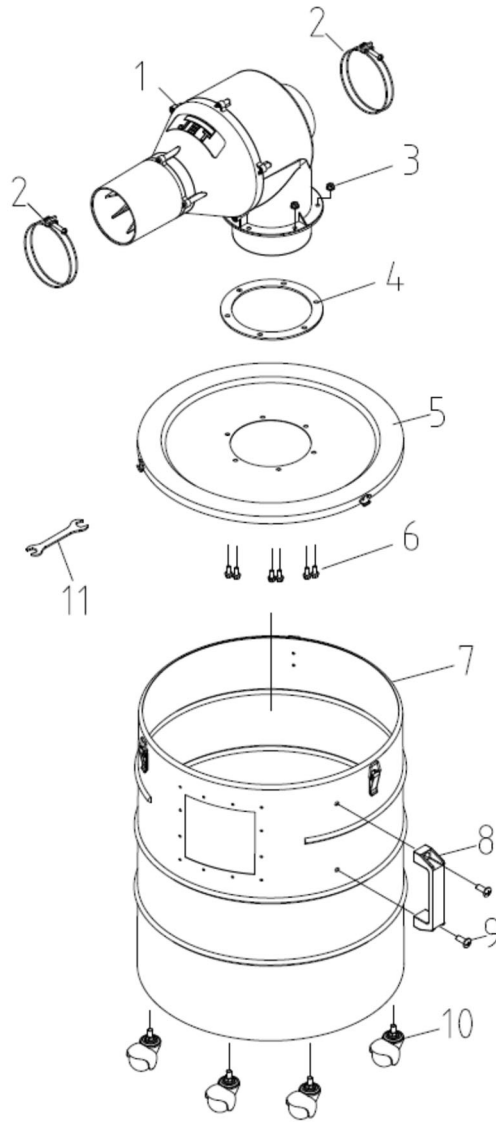
Figure 2: Hoses not provided; shown with JET bin

### JET

427 New Sanford Road  
LaVergne, Tennessee 37086  
Ph.: 800-274-6848  
www.jettools.com

Part No. M-413400  
Edition 1 08/2020  
Copyright © 2020 JET

# 717650 Cyclone Separator with Dust Collection Bin Assembly – Parts Breakdown



Index No.	Part No.	Description	Size	Qty
1	216-A002-02	Chip Separator		1
2	512-B006	Wire Hose Clamp	4"	2
3	528-E016	Flanged Hex Nut	1/4"-20	6
4	516-B143	Gasket		1
5	225-D172D-01	Bin Lid		1
6	504-F003	Washer Head Screw	1/4"-20x3/4"	6
7	225-D173D-01	Steel Dust Collection Bin		1
8	516-F011	Handle		1
9	504-B016	Pan Head Screw	1/4"-20x1/2"	2
10	514-A006	Caster		4
11	530-B010	Wrench	10-14	1
	600HP	Hardware Package (includes #2 thru 4, 6, 11)		
	650HP	Hardware Package (includes #8,9,10)		