



#717600 In-Line Cyclonic Chip Separator Assembly and Specifications

Shipping contents:

#717600 – Chip Separator only

- 1 Chip separator
- 1 Assembly & specifications sheet
- 1 Mounting template
- 1 Product registration card
- 2 Wire hose clamps 4 in.
- 6 Washer head screws 1/4x3/4 in.
- 6 Flanged hex nuts 1/4 in.
- 1 Gasket
- 1 Wrench

#717650 – Chip Separator + JET collection bin

- 1 717600 Chip Separator, *all parts listed above*
- 1 Steel collection bin
- 4 Casters
- 1 Handle
- 2 Pan head screws 1/4x1/2 in.

Assembly of JET Collection Bin

Turn bin upside-down and install casters by screwing them into the threaded holes. Tighten the nuts against the bin using the provided wrench.

Turn bin upright and install handle with 2 screws into threaded holes on side of bin.

Assembly of Chip Separator

CAUTION Woodworking machine and dust collector must be turned off while installing chip separator.

If using the JET dust bin, the center opening and screw holes are predrilled.

If using a different container than the JET bin (see Figure 1), use the provided paper template to drill holes in the lid. Drill six 3/8-in. (9mm) holes for the screws, and cut out a center hole 5-in. (126mm) in diameter.

Place the gasket between separator and bin, and insert the screws from beneath lid. Secure with flanged hex nuts. See Figure 2.

Connect 4-inch diameter hoses (not included) from your woodworking machine and from your dust collection system. Secure these with the provided wire clamps. See Figure 2.



Figure 1: Types of compatible containers (JET bin shown at right)

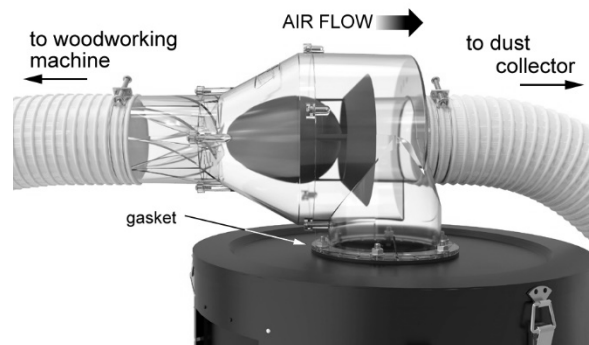


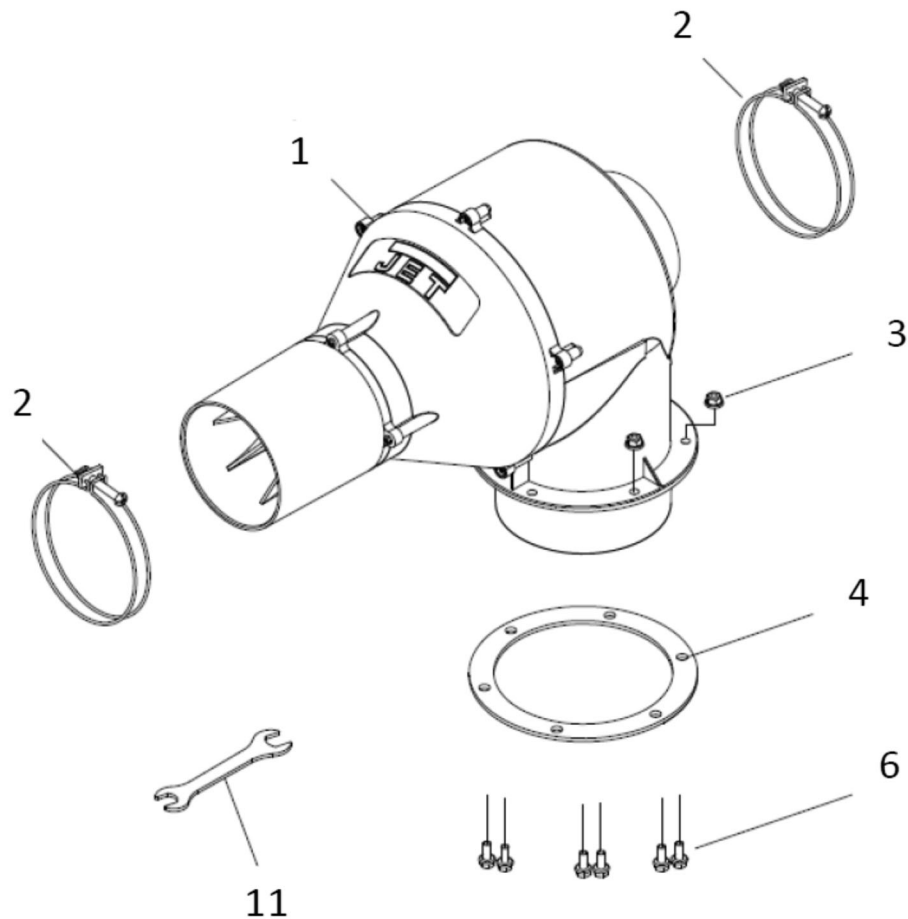
Figure 2: Hoses not provided; shown with JET bin

JET

427 New Sanford Road
LaVergne, Tennessee 37086
Ph.: 800-274-6848
www.jettools.com

Part No. M-413400
Edition 1 08/2020
Copyright © 2020 JET

717600 Cyclone Separator Assembly – Parts Breakdown



Index No.	Part No.	Description	Size	Qty
1	216-A002-02	Chip Separator		1
2	512-B006	Wire Hose Clamp	4"	2
3	528-E016	Flanged Hex Nut	1/4"-20	6
4	516-B143	Gasket		1
6	504-F003	Washer Head Screw	1/4"-20x3/4"	6
11	530-B010	Wrench	10-14mm	1
	600HP	Hardware Package (includes #2 thru 4, 6, 11)		