



# Operating Instructions and Parts Manual Woodworking Band Saws

Model JWBS-15, JWBS-18, JWBS-20



For serial nos.:

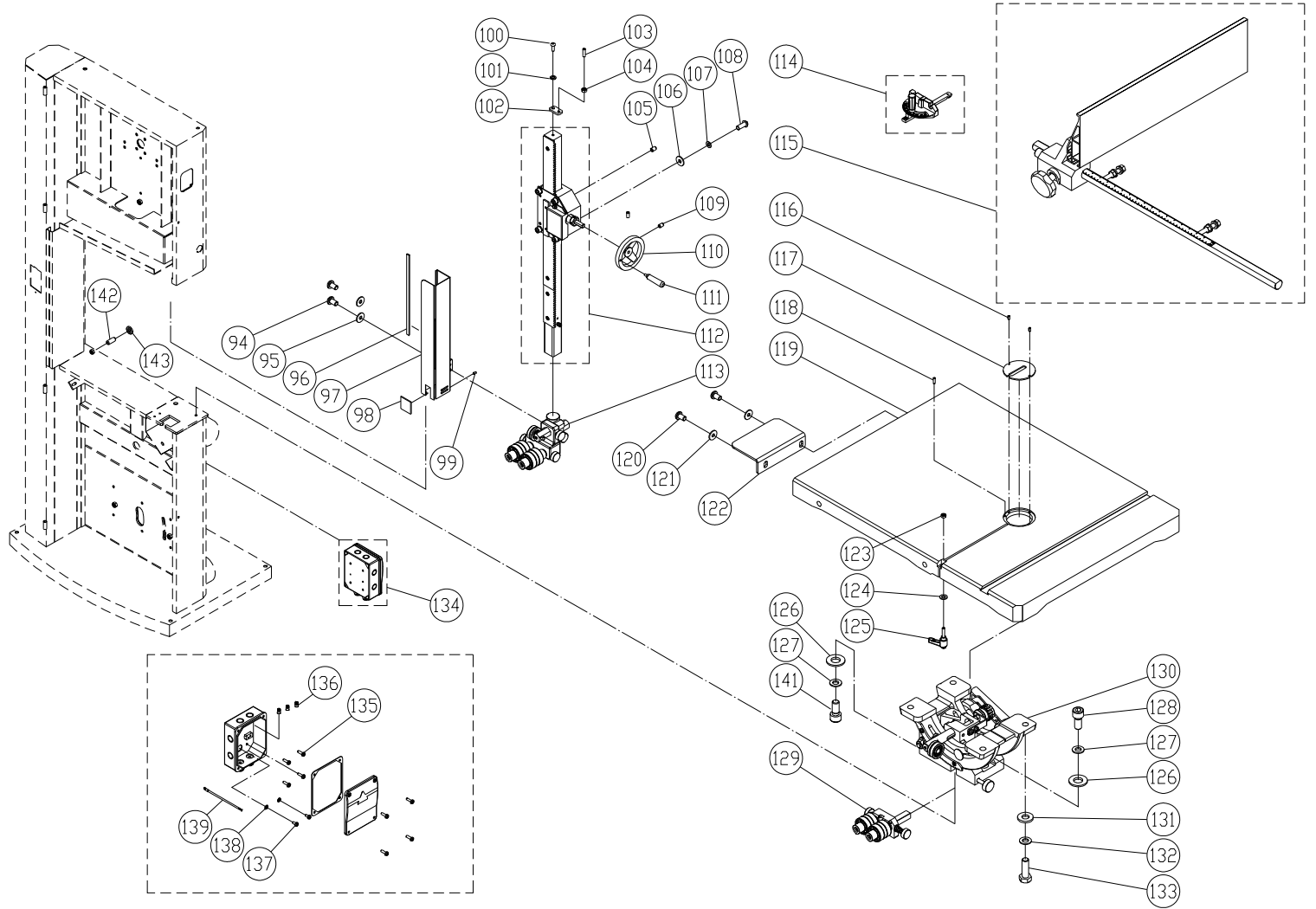
JWBS-15: 17120226 and higher  
JWBS-17: 18030001 and higher  
JWBS-18: 17110021 and higher

JWBS-20 shown

**JET**  
427 New Sanford Road  
LaVergne, Tennessee 37086  
Ph.: 800-274-6848  
www.jettools.com

**Part No. M-714600**  
Edition 5 09/2018  
Copyright © 2017 JET





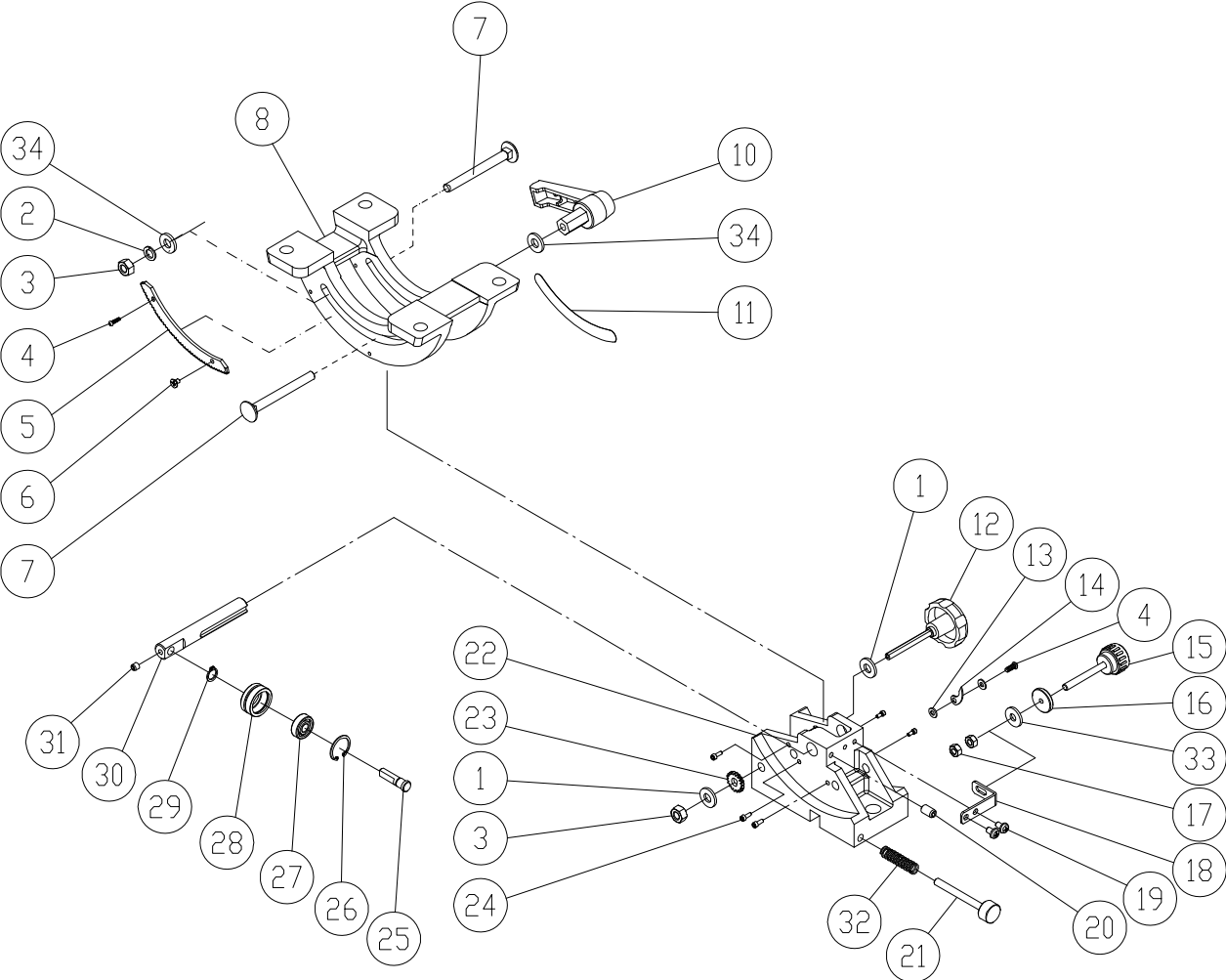
### 13.17.2 JWBS-20 Bandsaw Assembly – Parts List

| Index No. | Part No.       | Description                            | Size                           | Qty |
|-----------|----------------|--|--------------------------------|-----|
| 1         | PM1500-004     | Lifting Ring                           | M10                            | 1   |
| 2         | JWBS20B-102    | Machine Main Body Frame                |                                | 1   |
| 3         | TS-1550041     | Flat Washer                            | M6xØ13                         | 2   |
| 4         | JWBS18B-106    | Tension Pointer                        |                                | 1   |
| 5         | PM1500-012     | Step Screw                             |                                | 1   |
| 6         | PM2013B-169    | Tension Scale Indicator                |                                | 1   |
| 7         | TS-1550021     | Flat Washer                            | M4                             | 2   |
| 8         | F001171        | Pan Head Screw                         | M4x5                           | 2   |
| 9         | TS-2248202     | Socket Head Button Screw               | M8x20                          | 4   |
| 10        | TS-2361081     | Spring Washer                          | M8                             | 4   |
| 11        | TS-1550061     | Flat Washer                            | M8                             | 4   |
| 12        | JWBS20B-112    | Upper Wheel Sliding Bracket Assembly   |                                | 1   |
| 13        | JWBS15-114     | Handle Wheel                           | 6"                             | 1   |
| 14        | TS-1503051     | Socket Head Cap Screw                  | M6x20                          | 2   |
| 15        | PM2013B-018    | Upper Wheel Assembly                   | 20"                            | 1   |
| 16        | PM1800B-017    | Special Washer                         |                                | 2   |
| 17        | TS-2361081     | Spring Washer                          | M8                             | 2   |
| 18        | TS-1504041     | Socket Head Cap Screw                  | M8x20                          | 2   |
| 19        | JWBS20B-119    | Saw Blade                              | 158"Lx 1" W x 0.036" T x 3 TPI | 1   |
| 20        | JWBS20B-120    | Lower Wheel Assembly                   | Ø20"                           | 1   |
| 21        | PM1500-050     | Viewing Window                         |                                | 2   |
| 22        | TS-1541021     | Nylon Nut                              | M6                             | 4   |
| 23        | TS-1503021     | Socket Head Cap Screw                  | M6x10                          | 2   |
| 24        | JWBS20B-124    | Upper Door                             |                                | 1   |
| 25        | JET-138-R2000  | Jet Logo                               | 138x57mm                       | 1   |
| 26        | TS-1501021     | Socket Head Cap Screw                  | M4x8                           | 8   |
| 27        | JWBS20B-127    | Lower Door                             |                                | 1   |
| 28        | JWBS20B-138    | Sponge                                 | 585x10mm T=1                   | 1   |
| 29        | JWBS15-140     | Sponge                                 | 760x10mm T=1                   | 1   |
| 30        | JWBS15-141     | Sponge                                 | 16x5mm T=2                     | 1   |
| 31        | TS-1533052     | Pan Head Screw                         | M5x16                          | 2   |
| 32        | JWBS15-146     | Magnetic Switch Assembly               | 3HP only                       | 1   |
|           | JWBS15-146CS   | Contact Switch (not shown)             |                                | 1   |
|           | JWBS15-146OP   | Overload Protector (not shown)         |                                | 1   |
|           | JWBS20B-132A   | Magnetic Switch Assembly               | 5HP 230V                       | 1   |
|           | JWBS20B-132ACS | Contact Switch (not shown)             |                                | 1   |
|           | JWBS20B-132AOP | Overload Protector (not shown)         |                                | 1   |
|           | JWBS15-104B    | Power Cord                             | 3HP                            | 1   |
| 33        | TS-1532032     | Pan Head Screw                         | M4x10                          | 1   |
| 34        | JWBS15-143B    | Control Switch Assembly                | 3HP/ 5HP                       | 1   |
|           | JWBS15-143BSK  | Safety Key for JWBS15-143B (not shown) |                                | 1   |
| 35        | PM1800B-159    | Special Washer                         | 16x8.2x0.4T                    | 2   |
| 36        | JWBS20B-136    | Motor Adjust Handle                    |                                | 1   |
| 37        | JWBS18B-150    | Poly-V Belt                            | 430J10                         | 1   |
| 38        | JWBS20B-138MP  | Motor Pulley                           |                                | 1   |
| 39        | TS-1523041     | Set Screw                              | M6x12                          | 2   |
| 40        | TS-2311061     | Hex Nut                                | M6                             | 2   |
| 41        | JWBS18DX-249   | Dust Collect Insert                    |                                | 1   |
| 42        | JWBS15-155     | Fixed Plate                            |                                | 1   |
| 43        | TS-2361061     | Spring Washer                          | M6                             | 2   |
| 44        | TS-2246122     | Socket Head Button Screw               | M6x12                          | 2   |
| 45        | PM1500-074     | Tension Quick Release Lever Shaft      |                                | 1   |
| 46        | TS-1540083     | Hex Nut                                | M12                            | 1   |
| 47        | JWBS18B-160    | Tension Quick Release Lever            |                                | 1   |
| 48        | JWBS15-161     | Grip                                   |                                | 2   |
| 49        | TS-2248202     | Socket Head Button Screw               | M8x20                          | 4   |
| 50        | TS-2361081     | Spring Washer                          | M8                             | 4   |
| 51        | TS-1550061     | Flat Washer                            | M8xØ18                         | 4   |
| 52        | PM1500-070     | Shaft Fixed Block                      |                                | 1   |
| 53        | TS-1503061     | Socket Head Cap Screw                  | M6x25                          | 1   |

| Index No. | Part No.        | Description                    | Size           | Qty |
|-----------|-----------------|--------------------------------|----------------|-----|
| 54        | PM1500-069      | Cam                            |                | 1   |
| 55        | JWBS15-168      | Lock Knob                      | M10x53         | 1   |
| 56        | PM1500-068      | Lock Handle                    | M10            | 1   |
| 57        | JWBS15-170      | Lock Knob                      | M10x25         | 1   |
| 58        | 135041          | Knob                           |                | 2   |
| 59        | TS-1503051      | Socket Head Cap Screw          | M6x20          | 2   |
| 60        | JWBS15-173      | Pointer                        |                | 1   |
| 61        | JWBS15-174      | Pan Head Screw                 | M5x6           | 1   |
| 62        | TS-1482051      | Hex Cap Screw                  | M6x25          | 1   |
| 63        | TS-1550041      | Flat Washer                    | M6             | 2   |
| 64        | PM1500-058      | Brush                          |                | 1   |
| 65        | TS-1541021      | Nylon Nut                      | M6             | 1   |
| 66        | JWBS18B-179     | Lower Blade Guard              |                | 1   |
| 67        | TS-2246082      | Socket Head Button Screw       | M6x8           | 2   |
| 68        | TS-2361061      | Lock Washer                    | M6             | 2   |
| 69        | TS-1550041      | Flat Washer                    | M6             | 2   |
| 70        | TS-1490071      | Hex Cap Screw                  | M8x40          | 1   |
| 71        | JWBS15-184      | Support Plate                  |                | 1   |
| 72        | TS-2311081      | Hex Nut                        | M8             | 1   |
| 73        | TS-1541031      | Hex Nylon Lock Nut             | M8             | 1   |
| 74        | TS-1550061      | Flat Washer                    | M8             | 2   |
| 75        | TS-1504041      | Socket Head Cap Screw          | M8x20          | 1   |
| 76        | PM1800B-088     | Washer                         |                | 1   |
| 77        | PM1800B-087     | Plate                          |                | 1   |
| 78        | TS-2279301      | Set Screw                      | M10x30         | 4   |
| 79        | TS-1541041      | Hex Nut                        | M10            | 4   |
| 80        | PM1800B-084     | Lower Wheel Shaft              |                | 1   |
| 81        | PM1500-062      | Strain Relief                  | PG13.5         | 1   |
| 82        | PM1500-039      | Tapping Screw                  | M4x8           | 2   |
| 83        | JWBS15-196A     | Strain Relief Fixed Plate      |                | 1   |
| 84        | JWBS15-197      | Handle                         |                | 1   |
| 85        | TS-1540061      | Hex Nut                        | M8             | 1   |
| 86        | TS-149105       | Hex Cap Screw                  | M10x35         | 1   |
| 87        | TS-2361101      | Spring Washer                  | M10            | 2   |
| 88        | JWBS20B-188     | Motor                          | 3HP/230V       | 1   |
|           | JWBS18B-1101FM  | Motor Fan (not shown)          |                | 1   |
|           | JWBS18B-1101FMC | Motor Fan Cover (not shown)    |                | 1   |
|           | JWBS18B-1101SC  | Start Capacitor (not shown)    | 300MFD, 250VAC | 1   |
|           | JWBS18B-1101RC  | Running Capacitor (not shown)  | 60µF, 300VAC   | 1   |
|           | JWBS18B-1101JB  | Junction Box (not shown)       |                | 1   |
|           | JWBS18B-1101JBC | Junction Box Cover (not shown) |                | 1   |
|           | JWBS18B-1101CS  | Centrifugal Switch (not shown) |                | 1   |
|           | JWBS20B-188A    | Motor                          | 5HP/230V       | 1   |
|           | PM1800B-120MF   | Motor Fan (not shown)          |                | 1   |
|           | PM1800B-120MFC  | Motor Fan Cover (not shown)    |                | 1   |
|           | PM1800B-120SC   | Starting Capacitor (not shown) | 300MFD, 250VAC | 1   |
|           | PM1800B-120RC   | Running Capacitor (not shown)  | 45µf, 450VAC   | 1   |
|           | PM1800B-120CC   | Capacitor Cover (not shown)    |                | 1   |
|           | PM1800B-120JB   | Junction Box (not shown)       |                | 1   |
|           | PM1800B-120JBC  | Junction Box Cover (not shown) |                | 1   |
|           | PM1800B-120CS   | Centrifugal Switch (not shown) |                | 1   |
| 89        | PM1500-015      | Motor Bracket Lock Handle      | M10x33         | 1   |
| 90        | TS-1550071      | Flat Washer                    | M10            | 1   |
| 91        | JWBS15-1104     | Motor Bracket                  |                | 1   |
|           | JWBS20B-191A    | Motor Bracket                  | 5HP            | 1   |
| 92        | PM1500-038      | Locating Block                 |                | 1   |
| 93        | TS-2248202      | Socket Head Button Screw (3HP) | M8x20          | 4   |
|           | TS-1515031      | Socket Flat Head Screw (5HP)   | M8x25          | 4   |
| 94        | TS-1482031      | Hex Cap Screw                  | M6x16          | 2   |
| 95        | TS-1550041      | Flat Washer                    | M6             | 2   |
| 96        | JWBS15-1109     | Magnet                         | 7x340mm        | 1   |
| 97        | JWBS18B-1110    | Blade Guard Cover              |                | 1   |

| Index No. | Part No.     | Description                           | Size    | Qty |
|-----------|--------------|---------------------------------------|---------|-----|
| 98        | PM1800B-093  | Viewing Window                        |         | 1   |
| 99        | TS-1521011   | Set Screw                             | M4x4    | 2   |
| 100       | TS-2246122   | Socket Head Button Screw              | M6x12   | 1   |
| 101       | TS-2361061   | Spring Washer                         | M6      | 1   |
| 102       | PM1800B-163  | Locate Plate                          |         | 1   |
| 103       | F010432      | Set Screw                             | M6x35   | 1   |
| 104       | TS-1540041   | Hex Nut                               | M6      | 1   |
| 105       | JWBS15-1113  | Set Screw                             | M8x6    | 4   |
| 106       | TS-1550061   | Flat Washer                           | M8      | 4   |
| 107       | TS-2361081   | Spring Washer                         | M8      | 4   |
| 108       | TS-2248202   | Socket Head Button Screw              | M8x20   | 4   |
| 109       | TS-1523041   | Set Screw                             | M6x12   | 2   |
| 110       | JWBS15-1118  | Handwheel                             | 5"      | 1   |
| 111       | JWBS15-1119  | Handle                                | M8      | 1   |
| 112       | JWBS18B-1125 | Guide Bracket Assembly                |         | 1   |
| 113       | JWBS18B-1126 | Upper Blade Guide Assembly            |         | 1   |
| 114       | JWBS15-1122  | Miter Gauge Assembly                  |         | 1   |
| 115       | JWBS18B-1128 | Rip Fence Assembly                    |         | 1   |
| 116       | F012085      | Roll Pin                              | Ø4x8 mm | 2   |
| 117       | JWBS15-1125  | Table Insert                          |         | 1   |
| 118       | TS-1522011   | Set Screw                             | M5x5    | 3   |
| 119       | JWBS18B-1132 | Table                                 |         | 1   |
| 120       | TS-2246122   | Socket Head Button Screw              | M6x12   | 2   |
| 121       | TS-1550041   | Flat Washer                           | M6      | 2   |
| 122       | JWBS20B-1122 | Extension Plate                       |         | 1   |
| 123       | TS-1540061   | Hex Nut                               | M8      | 1   |
| 124       | TS-1550061   | Flat Washer                           | M8      | 1   |
| 125       | JWBS18B-1138 | Handle                                | M8x35   | 1   |
| 126       | TS-1550071   | Flat Washer                           | M10     | 2   |
| 127       | TS-2361101   | Spring Washer                         | M10     | 2   |
| 128       | TS-1505051   | Socket Head Cap Screw                 | M10x35  | 1   |
| 129       | JWBS18B-1142 | Lower Blade Guide Assembly            |         | 1   |
| 130       | JWBS15-1138  | Trunnion Support Bracket Assembly     |         | 1   |
| 131       | TS-1550061   | Flat Washer                           | M8      | 4   |
| 132       | TS-2361081   | Spring Washer                         | M8      | 4   |
| 133       | TS-1490041   | Hex Cap Screw                         | M8x25   | 4   |
| 134       | PM1800B-077  | Wire Connection Box                   |         | 1   |
| 135       | PM1800B-155  | Phillips Pan Head Machine Screw (Big) | M5x10   | 4   |
| 136       | PM1800B-154  | Wire Cap                              | P4      | 3   |
| 137       | TS-1533032   | Phillips Pan Head Machine Screw       | M5x10   | 2   |
| 138       | JWS25X-405   | Star Washer                           | M5      | 2   |
| 139       | PM1800B-151  | Ground Wire                           |         | 1   |
| 140       | TS-2248202   | Socket Head Button Screw              | M8x20   | 2   |
| 141       | TS-149105    | Hex Cap Screw                         | M10x35  | 1   |
| 142       | 7015-48      | Set Screw                             | M8x30   | 1   |
| 143       | TS-1541031   | Hex Nylon Lock Nut                    | M8      | 1   |
| 144       | TS-1550071   | Flat Washer                           | M10     | 1   |
| 145       | TS-1490021   | Hex Cap Screw                         | M8x16   | 1   |

13.3.1 JWBS-15/18/20 Trunnion Support Bracket Assembly – Exploded View

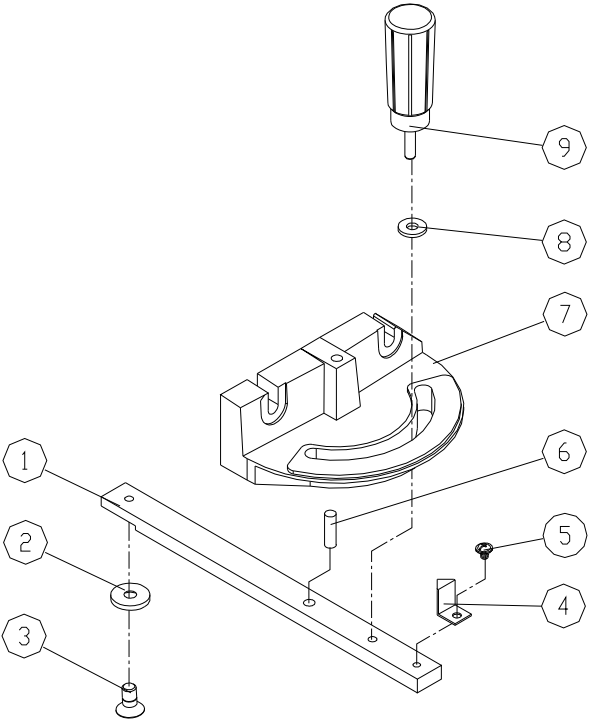


### 13.3.2 JWBS-15/18/20 Trunnion Support Bracket Assembly – Parts List

| Index No | Part No         | Description                                    | Size        | Qty |
|----------|-----------------|--|-------------|-----|
|          | JWBS15-1138A    | Trunnion Support Bracket Assembly (#1 thru 34) |             |     |
| 1        | TS-1550061      | Flat Washer                                    | M8 x Ø23    | 2   |
| 2        | TS-2361081      | Lock Washer                                    | M8          | 1   |
| 3        | TS-1541031      | Nylon Lock Hex Nut                             | M8          | 2   |
| 4        | TS-2171012      | Phillips Pan Head Machine Screw                | M4x6        | 2   |
| 5        | PM1500-085-05   | Gear Rack                                      |             | 1   |
| 6        | TS-2284061      | Phillips Flat Head Machine Screw               | M4x6        | 1   |
| 7        | JWBS15-1138-307 | Carriage Bolt                                  | M8x90       | 2   |
| 8        | PM1500-085-08   | Trunnion Block                                 |             | 1   |
| 10       | JWBS15-1138-310 | Lock Handle                                    |             | 1   |
| 11       | PM1500-085-11   | Tilt Scale                                     |             | 1   |
| 12       | PM1500-085-12   | Adjustment Knob Bolt                           |             | 1   |
| 13       | TS-1550021      | Flat Washer                                    | M4 x Ø8     | 2   |
| 14       | PM1500-085-14   | Angle Pointer                                  |             | 1   |
| 15       | JWBS15-1138-315 | Adjustment Knob Bolt                           | M6          | 1   |
| 16       | PM1500-085-16   | Locking Ring                                   |             | 1   |
| 17       | TS-2311061      | Hex Nut  | M6          | 2   |
| 18       | PM1500-085-18   | Adjustment Plate                               |             | 1   |
| 19       | 5712561         | Phillips Pan Head Machine Screw                | M5x8        | 2   |
| 20       | PM1500-085-20   | Set Screw                                      |             | 1   |
| 21       | PM1500-085-21   | Lock Knob                                      |             | 1   |
| 22       | JWBS15-1138-322 | Trunnion Support Bracket                       |             | 1   |
| 23       | PM1500-085-23   | Gear   |             | 1   |
| 24       | TS-2235061      | Socket Head Cap Screw                          | M5x6        | 6   |
| 25       | PM1500-085-25   | Adjustment Shaft                               |             | 1   |
| 26       | PM1500-085-26   | Retaining Ring                                 | R22         | 1   |
| 27       | BB-608ZZ        | Ball Bearing                                   | 608ZZ       | 1   |
| 28       | PM1500-085-28   | Thrust Bearing Holder                          |             | 1   |
| 29       | PM1500-085-29   | Retaining Ring                                 | S8          | 1   |
| 30       | JWBS15-1138-330 | Adjustment Bar                                 |             | 1   |
| 31       | TS-1523011      | Socket Set Screw                               | M6x6        | 1   |
| 32       | JWBS15-1138-332 | Spring   |             | 1   |
| 33       | TS-1550041      | Flat Washer                                    | M6 x Ø19    | 1   |
| 34       | JWBS15-1138-334 | Flat Washer                                    | M8 x Ø23x5t | 2   |



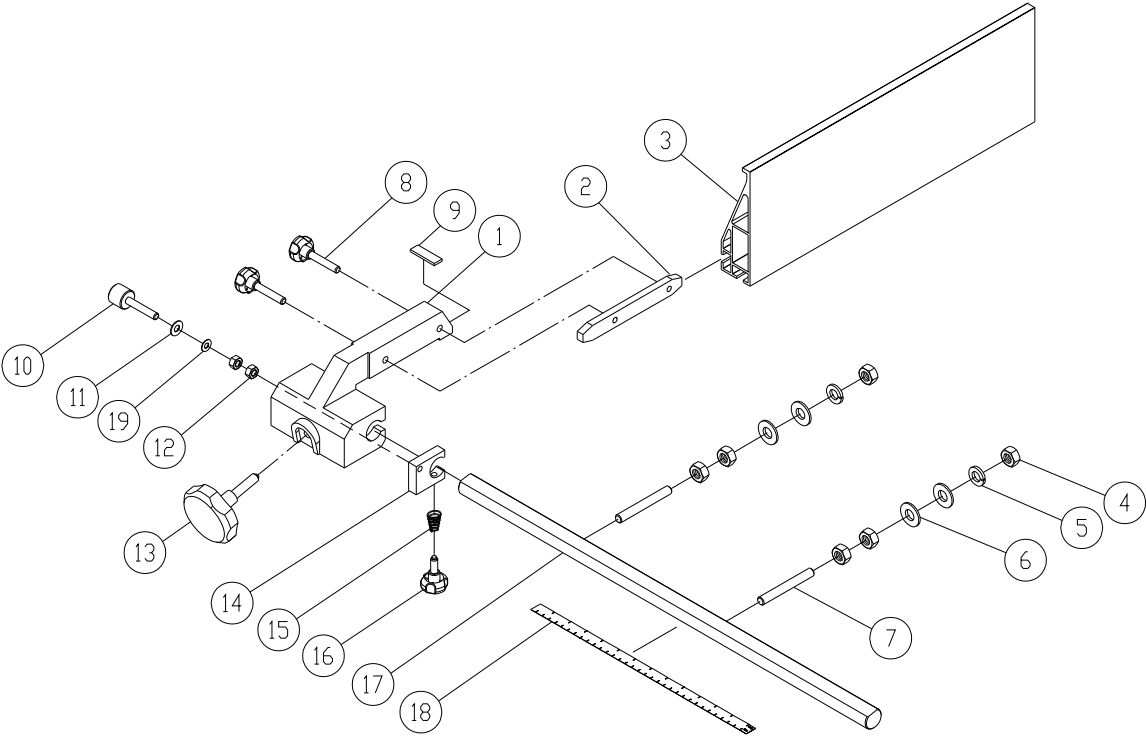
**13.9.1 JWBS-15/18/20 Miter Gauge Assembly – Exploded View**



**13.9.2 JWBS-15/18/20 Miter Gauge Assembly – Parts List**

| Index No | Part No             | Description                           | Size          | Qty |
|----------|---------------------|---------------------------------------|---------------|-----|
| .....    | JWBS15-1122.....    | Miter Gauge Assembly (#1 thru 9)..... |               |     |
| 1 .....  | JWBS15-1122-701.... | Guide Bar.....                        |               | 1   |
| 2 .....  | JWBS15-1122-702.... | Guide Piece .....                     |               | 1   |
| 3 .....  | JWBS15-1122-703.... | Countersunk Bolt .....                | M6x6 .....    | 1   |
| 4 .....  | JWBS15-1122-704.... | Pointer .....                         |               | 1   |
| 5 .....  | PWBS14-251-5 .....  | Pan Head Flanged Screw.....           | M5x8 .....    | 1   |
| 6 .....  | JWBS15-1122-706.... | Steel Pin .....                       | Ø6x10mm ..... | 1   |
| 7 .....  | JWBS15-1122-707.... | Miter Gauge Body.....                 |               | 1   |
| 8 .....  | JWBS15-1122-708.... | Nylon Washer .....                    |               | 1   |
| 9 .....  | JWBS15-1122-709.... | Handle .....                          |               | 1   |

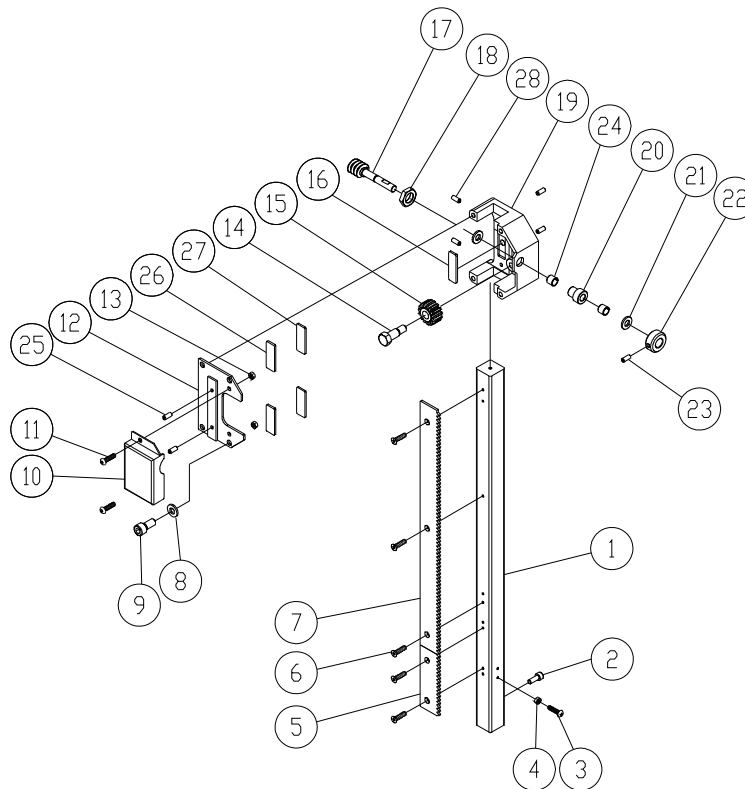
**13.11.1 JWBS-18/20 Rip Fence Assembly – Exploded View**



**13.11.2 JWBS-18/20 Rip Fence Assembly – Parts List**

| Index No. | Part No.               | Description                           | Size           | Qty |
|-----------|------------------------|---------------------------------------|----------------|-----|
| .....     | JWBS18B-1128.....      | Rip Fence Assembly (#1 thru 18) ..... |                | 1   |
| 1 .....   | JWBS15-1123-201 .....  | Fence Body .....                      |                | 1   |
| 2 .....   | JWBS15-1123-202 .....  | Lock Block .....                      |                | 1   |
| 3 .....   | JWBS18B-1128-203 ..... | Aluminum Fence .....                  | 572mm .....    | 1   |
| 4 .....   | TS-2311101 .....       | Nut .....                             | M10 .....      | 6   |
| 5 .....   | TS-2361101 .....       | Spring Washer .....                   | M10 .....      | 2   |
| 6 .....   | TS-1550071 .....       | Flat Washer .....                     | M10 .....      | 4   |
| 7 .....   | JWBS15-1123-207 .....  | Set Screw .....                       | M10x80 .....   | 2   |
| 8 .....   | JWBS15-1123-208 .....  | Knob .....                            | M8x40 .....    | 2   |
| 9 .....   | PM1500-107-10 .....    | Nylon Pad .....                       |                | 1   |
| 10 .....  | JWBS15-1123-210 .....  | Adjustment Knob .....                 | M8x50 .....    | 1   |
| 11 .....  | JWBS15-1123-211 .....  | Fiber Washer .....                    |                | 1   |
| 12 .....  | TS-1540061 .....       | Nut .....                             | M8 .....       | 2   |
| 13 .....  | JWBS15-1123-213 .....  | Knob .....                            | M8x40 .....    | 1   |
| 14 .....  | JWBS15-1123-214 .....  | Locate Block .....                    |                | 1   |
| 15 .....  | PM1800B-059-017 .....  | Cone Spring .....                     |                | 1   |
| 16 .....  | JWBS15-1123-216 .....  | Knob .....                            | M6x14 .....    | 1   |
| 17 .....  | JWBS18B-1128-217 ..... | Fence Guide Rail .....                |                | 1   |
| 18 .....  | JWBS18B-1128-218 ..... | Scale .....                           |                | 1   |
| 19 .....  | JWBS15-1123-219 .....  | Wave Washer .....                     | Ø8x13 mm ..... | 1   |

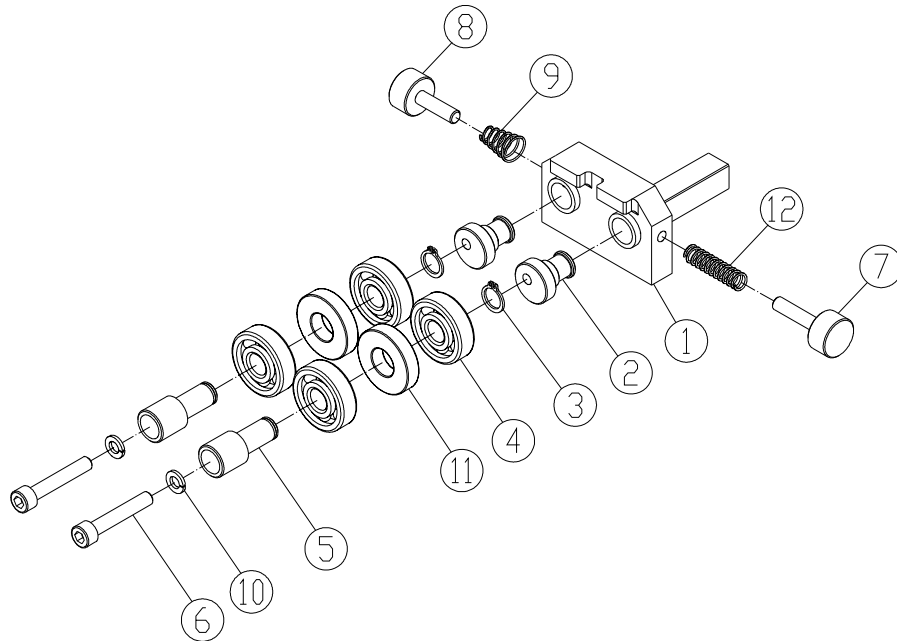
### 13.12.1 JWBS-18/20 Guide Bar Bracket Assembly – Exploded View



### 13.12.2 JWBS-18/20 Guide Bar Bracket Assembly – Parts List

| Index No | Part No          | Description                             | Size     | Qty |
|----------|------------------|---|----------|-----|
|          | JWBS18B-1125     | Guide Bar Bracket Assembly (#1 thru 28) |          |     |
| 1        | JWBS18B-1125-401 | Guide Bar                               |          | 1   |
| 2        | TS-1503021       | Socket Head Cap Screw                   | M6x10    | 2   |
| 3        | TS-1532032       | Pan Head Screw                          | M4x10    | 1   |
| 4        | TS-1540021       | Nut                                     | M4       | 1   |
| 5        | PM1500-091-08    | Guide Bar Rack (Short)                  |          | 1   |
| 6        | TS-2284081       | Phillips Flat Head Machine Screw        | M4x8     | 5   |
| 7        | PM1500-091-20    | Guide Bar Rack (Long)                   |          | 1   |
| 8        | TS-2361081       | Spring Washer                           | M8       | 4   |
| 9        | TS-1504031       | Socket Head Cap Screw                   | M8x16    | 4   |
| 10       | PM1500-091-04    | Cover                                   |          | 1   |
| 11       | TS-1534041       | Pan Head Screw                          | M5x10    | 2   |
| 12       | JWBS18B-1125-412 | Cover                                   |          | 1   |
| 13       | TS-1540031       | Hex Nut                                 | M5       | 2   |
| 14       | PM1500-091-10    | Fixed Screw                             |          | 1   |
| 15       | PM1500-091-11    | Gear                                    |          | 1   |
| 16       | PM1500-091-12    | Fixed Plate                             |          | 1   |
| 17       | PM1500-091-13    | Worm Shaft                              |          | 1   |
| 18       | JWBS15-1120-418  | Nut                                     |          | 1   |
| 19       | PM1500-091-15    | Guide Bracket                           |          | 1   |
| 20       | PM1500-091-18    | Bushing                                 |          | 1   |
| 21       | PM1500-091-25    | Fiber Washer                            |          | 2   |
| 22       | PM1500-091-19    | Collar                                  |          | 1   |
| 23       | TS-1522011       | Set Screw                               | M5x5     | 2   |
| 24       | JWBS15-1120-424  | Bushing Bearing                         | DU 10x12 | 2   |
| 25       | TS-1523011       | Set Screw                               | M6x6     | 2   |
| 26       | JWBS18B-1125-426 | Plate                                   |          | 2   |
| 27       | JWBS18B-1125-427 | Nylon Piece                             |          | 2   |
| 28       | JWBS15-1120-425  | Plastic Nylon Set Screw                 | M7x10    | 4   |

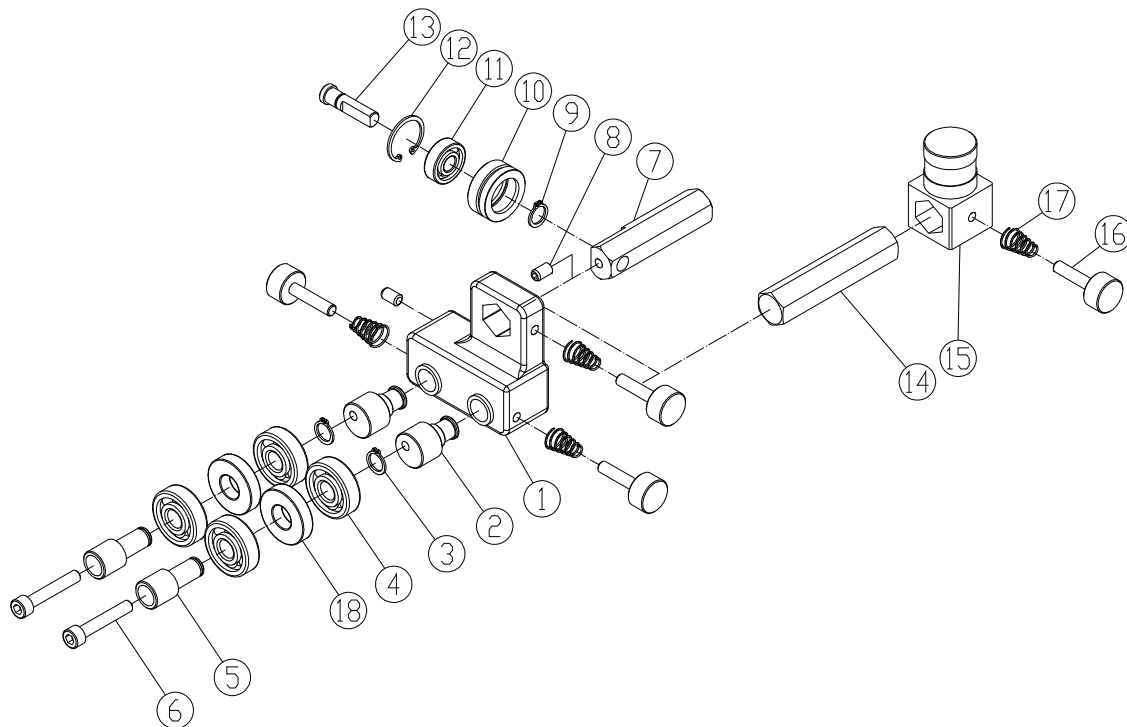
### 13.15.1 JWBS-18/20 Lower Blade Guide Assembly – Exploded View



### 13.15.2 JWBS-18/20 Lower Blade Guide Assembly – Parts List

| Index No | Part No         | Description                             | Size   | Qty |
|----------|-----------------|---|--------|-----|
|          | JWBS18B-1142    | Lower Blade Guide Assembly (#1 thru 12) |        | 1   |
| 1        | PM1500-096-01   | Lower Blade Guide Support               |        | 1   |
| 2        | PM1500-096-02   | Eccentric Shaft                         |        | 2   |
| 3        | PM1800B-059-05  | Retaining Ring                          | S15    | 2   |
| 4        | BB-6202ZZ       | Ball Bearing                            | 6202ZZ | 4   |
| 5        | PM1800B-059-02  | Knurled Adjusting Knob                  |        | 2   |
| 6        | TS-1503101      | Socket Head Cap Screw                   | M6x45  | 2   |
| 7        | PM1500-095-16   | Lock Knob                               |        | 1   |
| 8        | JWBS15-1137-508 | Lock Knob                               |        | 1   |
| 9        | PM1800B-059-017 | Cone Spring                             |        | 1   |
| 10       | TS-2361061      | Spring Washer                           | M6     | 2   |
| 11       | PM1800B-059-04  | Spacer                                  |        | 2   |
| 12       | JWBS15-1138-332 | Spring                                  |        | 1   |

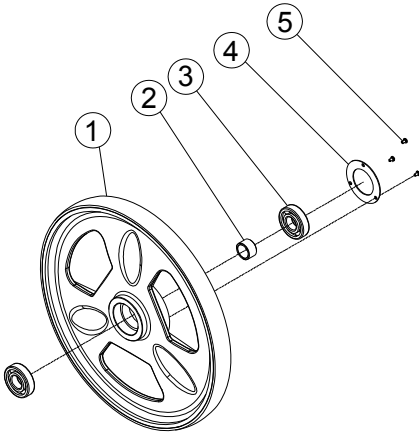
### 13.16.1 JWBS-18/20 Upper Blade Guide Assembly – Exploded View



### 13.16.2 JWBS-18/20 Upper Blade Guide Assembly – Parts List

| Index No | Part No         | Description                             | Size   | Qty |
|----------|-----------------|---|--------|-----|
|          | JWBS18B-1126    | Upper Blade Guide Assembly (#1 thru 18) |        |     |
| 1        | PM1500-095-01   | Upper Blade Guide Support               |        | 1   |
| 2        | PM1500-095-02   | Eccentric Shaft                         |        | 2   |
| 3        | PM1800B-059-05  | Retaining Ring                          | S15    | 2   |
| 4        | BB-6202ZZ       | Ball Bearing                            | 6202ZZ | 4   |
| 5        | PM1800B-059-02  | Knurled Knob                            |        | 2   |
| 6        | TS-1503101      | Socket Head Cap Screw                   | M6x45  | 2   |
| 7        | PM1500-095-07   | Spacing Sleeve                          |        | 1   |
| 8        | TS-1523011      | Set Screw                               | M6x6   | 2   |
| 9        | PM1500-085-29   | Retaining Ring                          | S8     | 1   |
| 10       | PM1500-085-28   | Thrust Bearing Holder                   |        | 1   |
| 11       | JWBS15-1121-611 | Ball Bearing                            | 608ZZ  | 1   |
| 12       | PM1500-085-26   | Retaining Ring                          | R22    | 1   |
| 13       | PM1500-085-25   | Adjust Shaft                            |        | 1   |
| 14       | PM1500-095-14   | Hex Post                                |        | 1   |
| 15       | PM1500-095-15   | Upper Guide Support Block               |        | 1   |
| 16       | PM1500-095-16   | Lock Knob                               |        | 1   |
| 17       | PM1800B-059-017 | Cone Spring                             |        | 4   |
| 18       | PM1800B-059-04  | Spacer                                  |        | 2   |

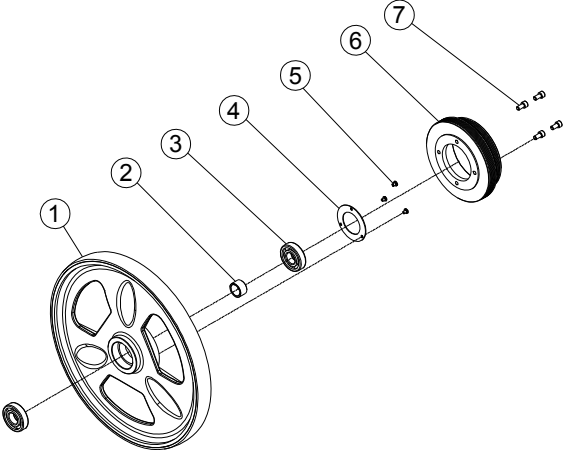
**13.18.1 JWBS-20 Upper Wheel Assembly – Exploded View**



**13.18.2 JWBS-20 Upper Wheel Assembly – Parts List**

| Index No | Part No        | Description                      | Size    | Qty |
|----------|----------------|----------------------------------|---------|-----|
| .....    | PM2013B-018    | Upper Wheel Assembly (#1 thru 5) |         | 1   |
| 1        | PM2013B-018-01 | Upper Wheel (Rubber Coating)     |         | 1   |
| 2        | PM1800B-018-02 | Spacer                           |         | 1   |
| 3        | BB-6306LLU     | Ball Bearing                     | 6306LLU | 2   |
| 4        | PM1800B-018-04 | Plate                            |         | 1   |
| 5        | PM1800B-018-05 | Phillips Pan Head Machine Screw  | M6x8    | 3   |

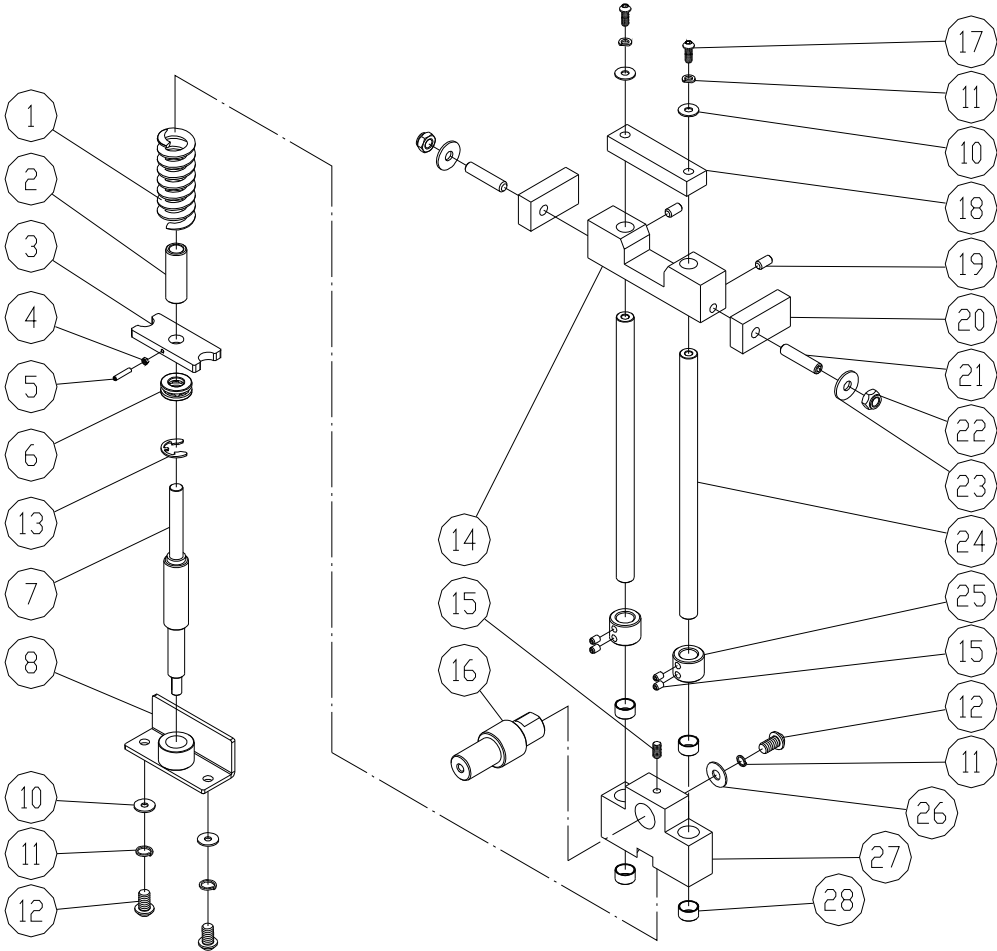
**13.19.1 JWBS-20 Lower Wheel Assembly – Exploded View**



**13.19.2 JWBS-20 Lower Wheel Assembly – Parts List**

| Index No | Part No         | Description                      | Size    | Qty |
|----------|-----------------|----------------------------------|---------|-----|
| .....    | JWBS20B-120     | Lower Wheel Assembly (#1 thru 7) |         | 1   |
| 1        | PM2013B-022-01  | Lower Wheel (Rubber Coating)     |         | 1   |
| 2        | PM1800B-018-02  | Spacer                           |         | 1   |
| 3        | BB-6306LLU      | Ball Bearing                     | 6306LLU | 2   |
| 4        | PM1800B-018-04  | Plate                            |         | 1   |
| 5        | PM1800B-018-05  | Phillips Pan Head Machine Screw  | M6x8    | 3   |
| 6        | JWBS18B-138-807 | Pulley                           |         | 1   |
| 7        | TS-1504041      | Socket Head Cap Screw            | M8x20   | 4   |

13.20.1 JWBS-20 Upper Wheel Sliding Bracket Assembly – Exploded View



### 13.20.2 JWBS-20 Upper Wheel Sliding Bracket Assembly – Parts List

| Index No | Part No         | Description                             | Size   | Qty |
|----------|-----------------|---|--------|-----|
| 1        | JWBS20B-112-801 | Spring                                  |        | 1   |
| 2        | JWBS20B-112-802 | Bushing                                 |        | 1   |
| 3        | JWBS20B-112-803 | Plate                                   |        | 1   |
| 4        | TS-1540021      | Hex Nut                                 | M4     | 1   |
| 5        | JWBS20B-112-805 | Set Screw                               | M4x35  | 1   |
| 6        | BB-51201        | Bearing                                 | 51201  | 1   |
| 7        | JWBS20B-112-807 | Adjusting Bolt                          |        | 1   |
| 8        | JWBS20B-112-808 | Adjust Plate Weldment (includes #9 Nut) |        | 1   |
| 10       | TS-1550061      | Flat Washer                             | M8     | 4   |
| 11       | TS-2361081      | Spring Washer                           | M8     | 5   |
| 12       | TS-2248202      | Socket Head Button Screw                | M8x20  | 3   |
| 13       | PM1800B-027-026 | E Ring                                  | E15    | 1   |
| 14       | JWBS20B-112-814 | Block                                   |        | 1   |
| 15       | 5302731         | Set Screw                               | M8x6   | 5   |
| 16       | JWBS20B-112-816 | Wheel Shaft                             |        | 1   |
| 17       | TS-2248302      | Socket Head Button Screw                | M8x30  | 2   |
| 18       | JWBS20B-112-818 | Block                                   |        | 1   |
| 19       | TS-1523031      | Set Screw                               | M6x10  | 2   |
| 20       | JWBS20B-112-820 | Locate Block                            |        | 2   |
| 21       | JWBS20B-112-821 | Set Screw                               | M10x50 | 2   |
| 22       | TS-2342102      | Nylon Nut                               | M10    | 2   |
| 23       | TS-1550071      | Flat Washer                             | M10    | 2   |
| 24       | JWBS20B-112-824 | Shaft                                   |        | 2   |
| 25       | JWBS20B-112-825 | Collar                                  |        | 2   |
| 26       | TS-1550061      | Flat Washer                             | M8     | 1   |
| 27       | JWBS20B-112-827 | Upper Wheel Sliding Bracket             |        | 1   |
| 28       | PM1500-010-28   | Bushing Bearing                         | DU1610 | 4   |