

**Type:** CCG 18-125 BLPD-SEC (18V)  
**Part no.:** 71200800940

| <b>Item</b> | <b>Part no.</b> | <b>Designation</b>    | <b>Quantity</b> |
|-------------|-----------------|-----------------------|-----------------|
| 10          | 54113016840     | Motor                 | 1               |
| 50          | 31506423000     | Intermediate gear box | 1               |
| 60          | 41701207260     | Grooved ball bearing  | 1               |
| 70          | 30901420000     | Spring                | 2               |
| 80          | 30760229000     | Electronics           | 1               |
| 85          | 30240410000     | Block                 | 6               |
| 90          | 43081000001     | Screw                 | 6               |
| 95          | 42616034007     | Circlip               | 1               |
| 100         | 31912119030     | Motor housing         | 1               |
| 110         | 31415183000     | Pressure piece        | 4               |
| 120         | 30762654990     | Electronics           | 1               |
| 130         | 30728445000     | Terminal              | 4               |
| 140         | 32816723010     | Rocker switch         | 1               |
| 170         | 32427190000     | Cover                 | 1               |
| 190         | 43074008000     | Screw                 | 14              |
| 200         | 43074010000     | Screw                 | 7               |
| 220         | 31415171000     | Pressure piece        | 1               |
| 230         | 30103063000     | Clutch                | 1               |
| 245         | 32119156020     | Switch module         | 1               |
| 250         | 30240411000     | Ring                  | 2               |
| 260         | 31506424000     | Intermediate gear box | 1               |
| 415         | 31206172020     | Gearbox housing       | 1               |
| 460         | 41701000023     | Grooved ball bearing  | 1               |
| 470         | 42616001005     | Circlip               | 1               |

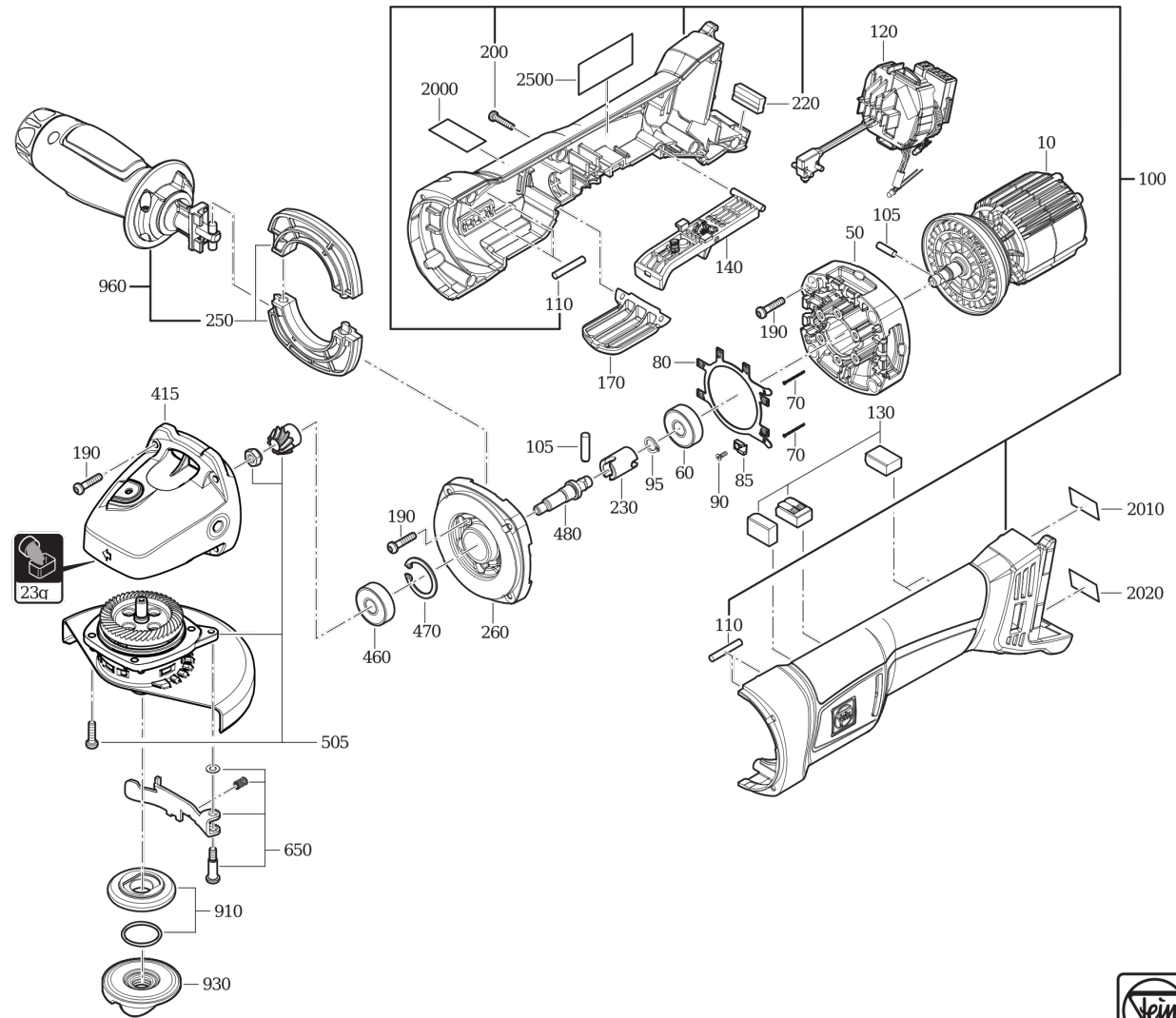
**Type:** CCG 18-125 BLPD-SEC (18V)  
**Part no.:** 71200800940

| <b>Item</b> | <b>Part no.</b> | <b>Designation</b>           | <b>Quantity</b> |
|-------------|-----------------|------------------------------|-----------------|
| 480         | 33406368000     | Shaft                        | 1               |
| 505         | 33809248020     | Bevel gear                   | 1               |
| 650         | 30240331010     | Lever                        | 1               |
| 820         | 42401019085     | Disc                         | 1               |
| 845         | 32424053010     | Rocker switch                | 1               |
| 865         | 32424054010     | Rocker switch                | 1               |
| 870         | 42001009080     | Hex nut                      | 1               |
| 880         | 32424052000     | Stop button                  | 1               |
| 910         | 63801182010     | Inner flange                 | 1               |
| 930         | 63802197000     | Quick-clamping nut           | 1               |
| 940         | 31810319000     | Safety hood for cutting work | 1               |
| 950         | 32119155020     | Handle half shell            | 1               |
| 960         | 32119154020     | Handle                       | 1               |
| 2010        | 32217520000     | Information sign             | 1               |
| 2500        | 32217517000     | RFID Transponder VE1         | 1               |
| 5000        | 62910022002     | Bidirectional nut spanner    | 1               |
| 5100        | 33901152630     | Case                         | 1               |
| 5220        | 33904652000     | N.A.                         | 1               |

**Type:**  
**Part no.:**

CCG 18-125 BLPD-SEC (18V)  
71200800940

7 120 08 - CCG 18 -125 BLPD-SEC  
7 120 09 - CCG 18 -115 BLPD-SEC



**Type:**  
**Part no.:**

CCG 18-125 BLPD-SEC (18V)  
71200800940

7 120 08 - CCG 18 -125 BLPD-SEC  
7 120 09 - CCG 18 -115 BLPD-SEC

