



# Owner's Manual XACTA<sup>®</sup>Fence II Commercial 30/50

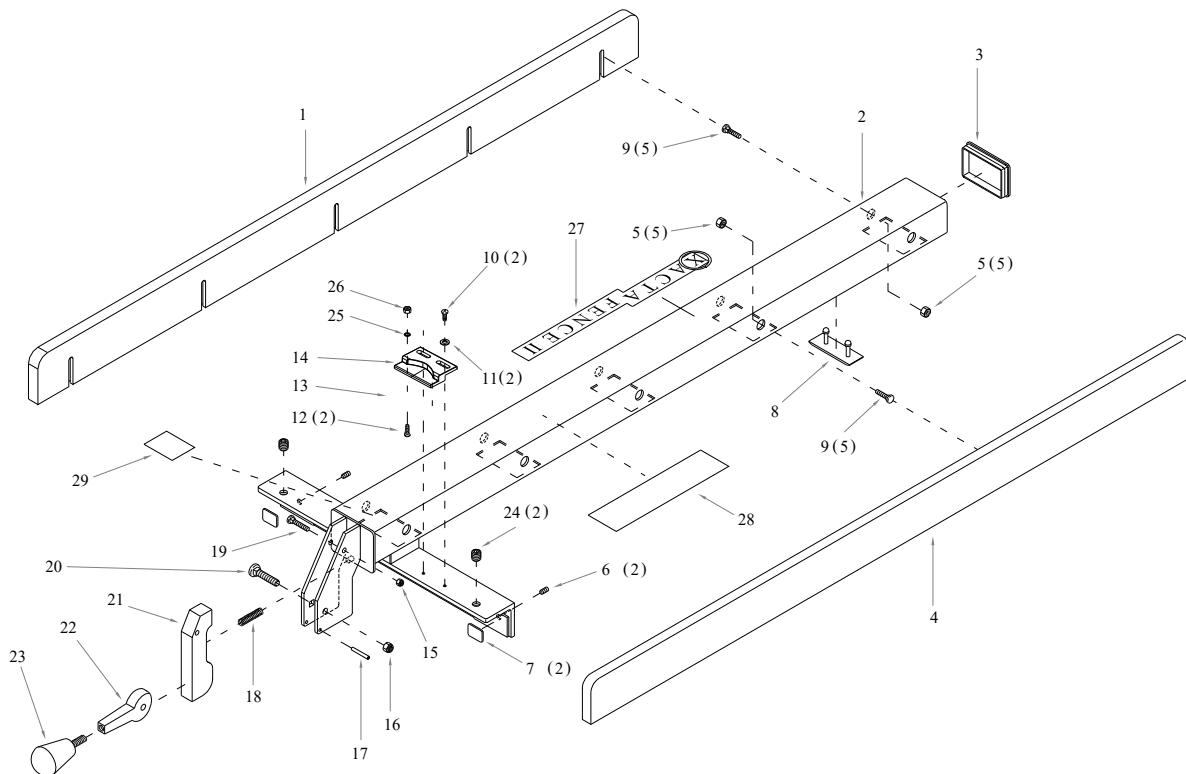


**JET**  
427 New Sanford Road  
LaVergne, Tennessee 37086  
Ph.: 800-274-6848  
www.jettools.com

**Part No. M-708950Z**  
Revision L2 07/2019  
Copyright © 2014 JET

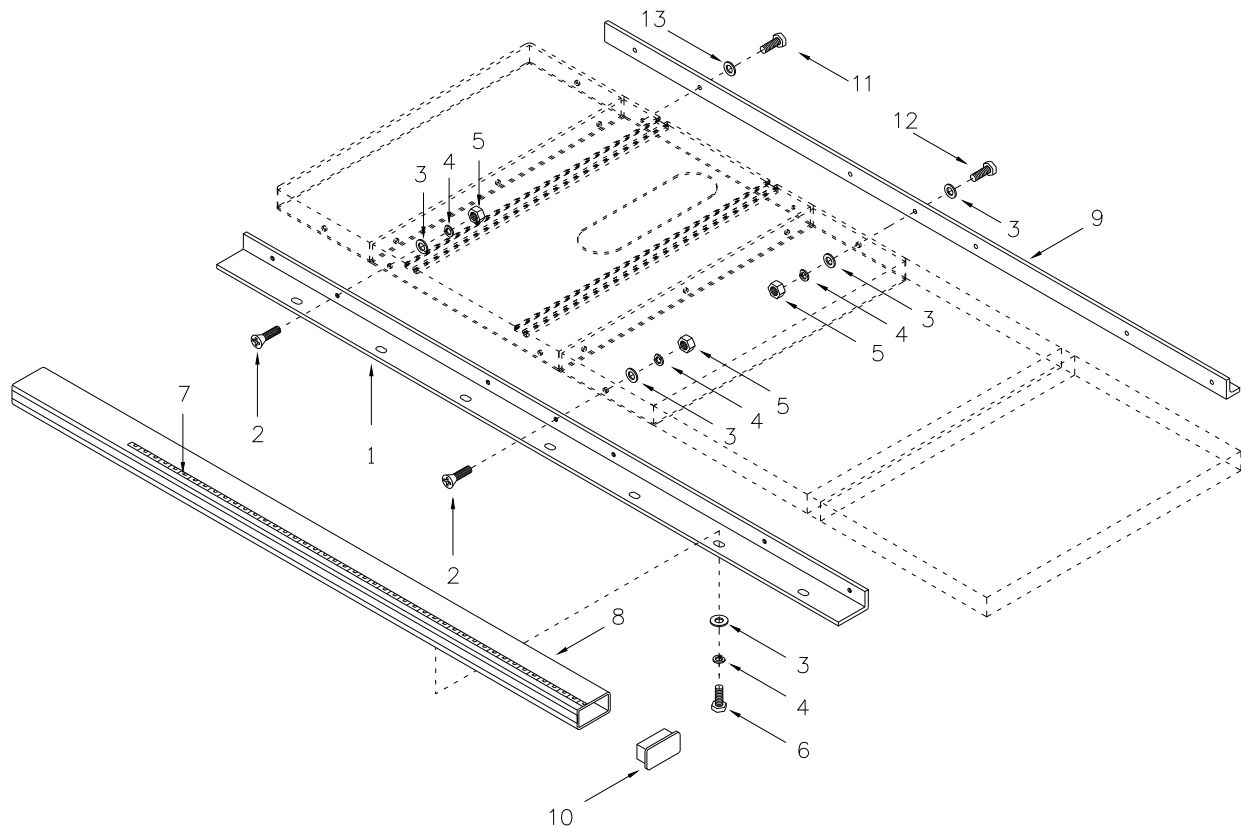
## Parts for the XACTA Fence II Commercial 30/50

Index No.	Part No.	Description	Size	Qty
	708950Z	XACTA Fence II Commercial (includes #1-29)		1
1	XF2-101N	Left Side Plate		1
2	XF2-102	Fence Body Assembly		1
3	XF2-103	Tube Cover		1
4	XF2-104N	Right Side Plate		1
5	TS-0640071	Lock Nut	1/4"-20	10
6	TS-0271031	Set Screw	3/8"-16 x 3/8"	2
7	3575081	Fluoroway Pad		2
8	XF2-108	Pad		1
9	XF2-9	T-Square Bolt	1/4"-20 x 3/4"	10
10	TS-081D022	Pan Head Machine Screw	10-32 x 3/8"	2
11	TS-0680021	Flat Washer	1/4"	2
12	TS-081D021	Flat Head Machine Screw	10-32 x 3/8"	2
13	800708950 D	Cursor		1
14	800708950 C	Cursor Bracket		1
15	TS-0640071	Lock Nut	1/4"-20	1
16	TS-0640091	Lock Nut	3/8"-16	1
17	XF2-117	Spring Pin	4mm x 28	1
18	6813042	Compression Spring		1
19	TS-0151041	Carriage Bolt	1/4"-20 x 1-1/2"	1
20	TS-0160021	Carriage Bolt	3/8"-16 x 1-1/2"	1
21	3215301	Foot Cam		1
22	3076232	Lock Cam		1
23	6430055	Knob w/stud		1
24	XF-5	Nylon Adjustment Screw		2
25	TS-0680021	Flat Washer	1/4"	2
26	TS-0560081	Hex Nut	10-32	2
27	XF2-127	XACTA Fence Label		1
29	XF2-129	JET Label		1



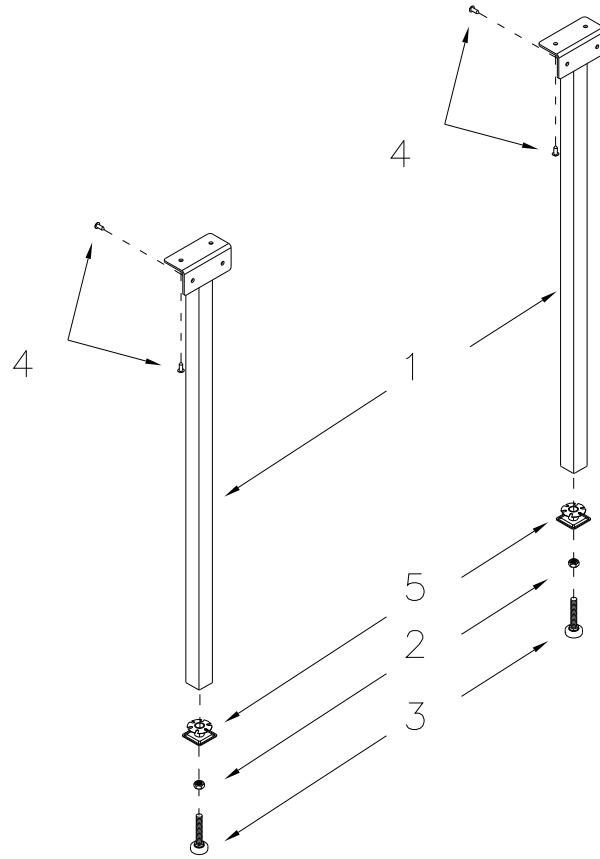
## Parts for the XACTA Fence II Rail Assembly

Index No.	Part No.	Description	Size	Qty
	708930Z	XACTA II 30" Rail Set (includes #1-13)		
	708951Z	XACTA II 50" Rail Set (includes #1-13)		
1	XF2-201	Front Rail (50")		1
	XF2-201A	Front Rail (30")		1
2	TS-081F081	Flat Head Screw	1/4"-20 x 1-1/2"	7
3	TS-0680021	Flat Washer	1/4"	24
4	TS-0720071	Lock Washer	1/4"	19
5	TS-0561011	Hex Nut	1/4"-20	12
6	TS-0050031	Hex Cap Screw	1/4"-20 x 3/4"	7
7	XF2-207	Scale (50")		1
	XF2-207A	Scale (30")		1
8	XF2-208	Guide Rail (50")		1
	XF2-208A	Guide Rail (30")		1
9	XF2-209	Rear Rail (50")		1
	XF2-209A	Rear Rail (30")		1
10	XF2-210	Guide cover		2
11	TS-0081031	Hex Cap Screw	5/16"-18 x 3/4"	2
12	TS-0050071	Hex Cap Screw	1/4"-20 x 1-1/2"	5
13	TS-0680031	Flat Washer	5/16"	2



## Parts for the XACTA Fence II Leg Assembly

Index No.	Part No.	Description	Size	Qty
1	XF2-301	Leg		2
2	TS-0561031	Hex Nut	3/8"-16	2
3	XF2-303	Adjusting foot		2
4	TS-1533052	Machine Screw	M5×16	8
5	XF2-305	Metal Insert	30 x 30 x 3/8"	2





427 New Sanford Road  
LaVergne, Tennessee 37086  
Phone: 800-274-6848  
[www.jettools.com](http://www.jettools.com)