

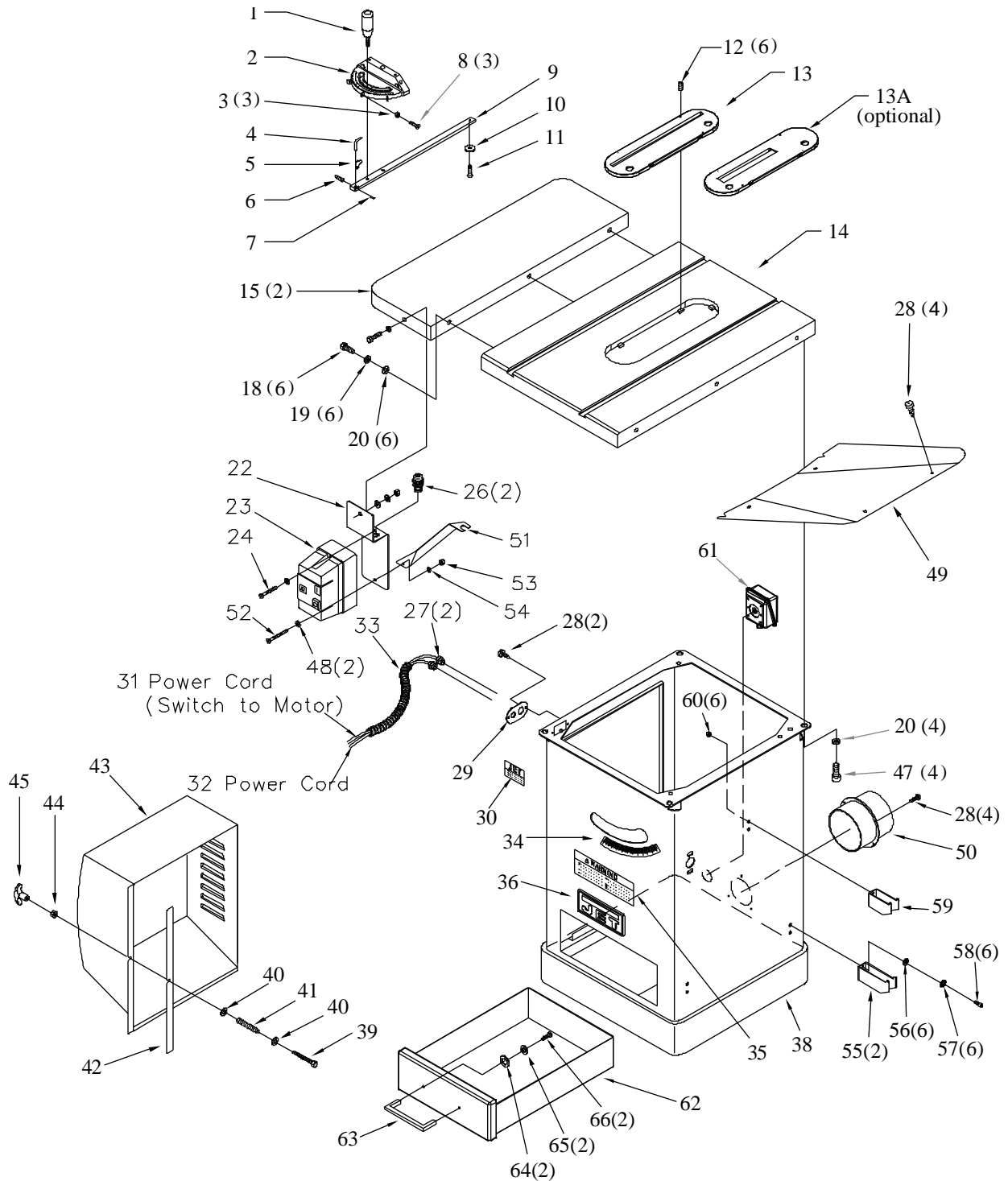
Table & Cabinet Parts List

| Index No. | Part No. | Description | Size | Qty |
|-----------|--------------|---|-----------------|-----|
| 1 | JTAS10-1 | Lock Knob | | 1 |
| 2 | JTAS10-2 | Miter Gauge Body | | 1 |
| 3 | TS-1540031 | Hex Nut | M5 | 3 |
| 4 | JTAS10-4 | Pointer | | 1 |
| 5 | JTAS10-5 | Stop Link | | 1 |
| 6 | TS-1521011 | Socket Set Screw | M4x4 | 1 |
| 7 | JTAS10-7 | Special Pin | M3x6 | 1 |
| 8 | TS-2205201 | Hex Cap Screw | M5x20 | 3 |
| 9 | JTAS10-9 | Guide Bar | | 1 |
| 10 | JTAS10-10 | Guide Washer | | 1 |
| 11 | JTAS10-11 | Flat Head Screw | M6x8 | 1 |
| | JTAS10-MG | Miter Gauge Assembly (#1-11) | | 1 |
| 12 | TS-0267041 | Socket Set Screw | 1/4-20x3/8 | 6 |
| 13 | JTAS10L-13N | Table Insert | | 1 |
| 13A | 708097 | Dado Insert - <i>(Optional Accessory)</i> | | 1 |
| 14 | JTAS10L-14WN | Table | | 1 |
| 15 | JTAS10L-15WN | Extension Wing | | 2 |
| 18 | TS-0061051 | Hex Cap Screw | 7/16-14x1-1/2 | 6 |
| 19 | TS-0720101 | Lock Washer | 7/16 | 6 |
| 20 | TS-0680051 | Flat Washer | 7/16 | 10 |
| 22 | JTAS10-22W | Switch Plate | | 1 |
| 23 | JTAS10-23 | Magnetic Switch | 3HP, 230V, 1 Ph | 1 |
| | JTAS10-23A | Magnetic Switch | 5HP, 230V, 3 Ph | 1 |
| | JTAS10-23B | Magnetic Switch | 5HP, 460V, 3 Ph | 1 |
| | JTAS12-23 | Magnetic Switch * | 5HP, 1 Ph, 230V | 1 |
| 24 | TS-081C052 | Pan Head Screw | #10-24x3/4 | 1 |
| 26 | JTAS10-26 | Strain Relief Bushing | | 2 |
| 27 | JTAS10-27 | Strain Relief Bushing | | 2 |
| 28 | JTAS10-28 | Tap Screw | M5x10 | 10 |
| 29 | JTAS10-29 | Cord Plate | | 1 |
| 30 | JTAS10L-30N | Identification Plate | | 1 |
| 31 | JTAS10DX-31 | Power Cord (switch to motor) | | 1 |
| 32 | JTAS10DX-32 | Power Cord | | 1 |
| 33 | JTAS10-33 | Power Cord Sleeve | | 1 |
| 34 | JTAS10L-34 | Tilt Scale | | 1 |
| 35 | JTAS10-35 | Warning Label | | 1 |
| 36 | JTAS10-36 | JET Label | | 1 |
| 38 | JTAS10L-38WN | Cabinet | | 1 |
| 39 | TS-1482101 | Hex Cap Screw | M6x50 | 1 |
| 40 | TS-0680021 | Flat Washer | 1/4 | 2 |
| 41 | JTAS10-41 | Spring | | 1 |
| 42 | JTAS10-42 | Foam Strip | | 1 |
| 43 | JTAS10L-43WN | Motor Cover | | 1 |
| 44 | TS-1540021 | Nylon Insert Lock Nut | M6 | 1 |
| 45 | JTAS10-45 | Handle | | 1 |
| 47 | TS-0210011 | Socket Head Cap Screw | 7/16-14x3/4 | 4 |
| 48 | TS-0680011 | Flat Washer | 3/16 | 2 |
| 49 | JTAS10L-49WN | Lower Panel | | 1 |
| 50 | JTAS10L-50N | Dust Hose Adapter | | 1 |
| 51 | JTAS10-52W | Switch Brace Kit ** | | 1 |
| 52 | TS-081C062 | Screw | #10-24x1 | 1 |
| 53 | TS-0560071 | Hex Nut | #10-24 | 1 |
| 54 | TS-0733031 | Star Washer | #10 | 1 |
| 55 | JTAS10L-55 | Hook | | 2 |
| 56 | TS-0680021 | Flat Washer | 1/4 | 6 |
| 57 | TS-0720071 | Lock Washer | 1/4 | 6 |

| | | | | |
|---------|------------------|-----------------------------|-----------------|---|
| 58..... | TS-0207031 | Socket Head Cap Screw | 1/4-20x5/8..... | 6 |
| 59..... | JTAS10L-59 | Hook..... | | 1 |
| 60..... | TS-0561011 | Hex Nut..... | 1/4-20..... | 6 |
| 61..... | JTAS10L-61 | Electrical Box | | 1 |
| 62..... | JTAS10L-62 | Drawer..... | | 1 |
| 63..... | JTAS10L-63 | Handle | | 1 |
| 64..... | TS-1550031 | Flat Washer..... | M5..... | 2 |
| 65..... | TS-0720051 | Lock Washer | #10..... | 2 |
| 66..... | TS-081C032..... | Pan Head Screw..... | #10-24x1/2..... | 2 |

* 10" saws with 5HP, 1Ph motor uses these parts.

** Switch Brace kit contains bracket, screw, nut, star washer, and 8mm hex wrench.



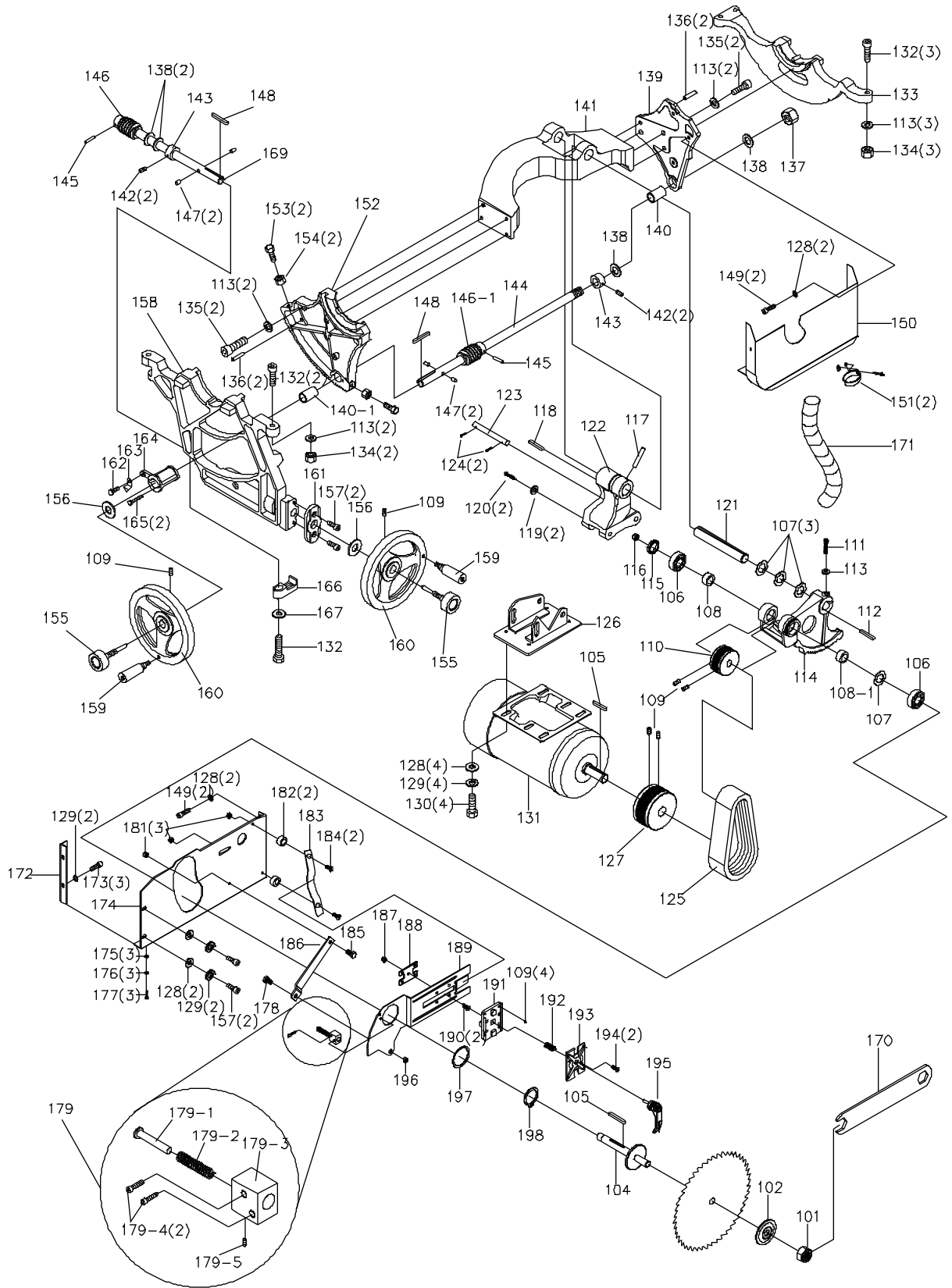
Trunnion & Motor Parts List

| Index No. | Part No. | Description | Size | Qty |
|-----------|----------------|---|---------------------|-----|
| 101 | JTAS10L-101 | Arbor Nut | | 1 |
| 102 | JTAS10-102 | Arbor Flange | | 1 |
| 104 | JTAS10L-104N | Arbor with Flange | | 1 |
| 105 | JTAS10-105 | Key | M5x44 | 2 |
| 106 | BB-6203ZZ | Ball Bearing | 6203ZZ | 2 |
| 107 | JTAS10-107 | Wave Washer | | 4 |
| 108 | JTAS10-108 | Rear Bearing Load Spacer | | 2 |
| 108-1 | JTAS10DX-108 | Front Bearing Load Spacer | | 1 |
| 109 | TS-0267041 | Socket Set Screw | 1/4-20x3/8 | 10 |
| 110 | JTAS10-110N | Arbor Pulley | | 1 |
| 111 | TS-0209081 | Socket Head Cap Screw | 3/8-16x1-3/4 | 1 |
| 112 | JTAS10DX-112 | Key | 1/4x1/4x45 | 1 |
| 113 | TS-0720091 | Lock Washer | 3/8 | 10 |
| 114 | JTAS10DX-114 | Arbor Bracket | | 1 |
| 115 | JTAS10-115 | Spanner Nut | | 1 |
| 116 | JTAS10L-116 | Nut | 5/8 | 1 |
| 117 | JTAS10-117 | Spring Pin | M6x50 | 1 |
| 118 | JTAS10-118 | Key | 1/4x1/4x2-5/16 | 1 |
| 119 | TS-0680051 | Flat Washer | 7/16 | 2 |
| 120 | TS-0091031 | Hex Cap Screw | 7/16-14x1 | 2 |
| 121 | JTAS10DX-121 | Shaft | | 1 |
| 122 | JTAS10-122 | Motor Bracket | | 1 |
| 123 | JTAS10-123 | Pin | | 1 |
| 124 | JTAS10-124 | Spring Clip | | 2 |
| 125 | JTAS10L-125N | Poly V-Belt | 260J | 1 |
| 126 | JTAS10DX-126 | Motor Mounting Bracket | | 1 |
| 127 | JTAS10-127N | Motor Pulley | | 1 |
| 128 | TS-0680031 | Flat Washer | 5/16 | 10 |
| 129 | TS-0720081 | Lock Washer | 5/16 | 9 |
| 130 | TS-0081031 | Hex Cap Screw | 5/16-18x3/4 | 4 |
| 131 | JTAS10DX-131N | Motor | 3HP, 1Ph, 230V only | 1 |
| | JTAS10DX-131C | Motor | 5HP, 1Ph, 230V only | 1 |
| | JTAS10DX-131A | Motor | 5HP, 3Ph, 230/460V | 1 |
| | JTAS10DX-131CS | Centrifugal Switch Assembly (not shown) | | 1 |
| | JTAS10-131D | Fan Cover (not shown) | | 1 |
| | JTAS10-131F | Motor Fan (not shown) | | 1 |
| | C-600125 | Start Capacitor (not shown) | 3HP, 1Ph motor | 1 |
| | C-040250 | Run Capacitor (not shown) | 3HP, 1Ph motor | 1 |
| | JTAS10-1315B | Start Capacitor (not shown) | 5HP, 1Ph motor | 1 |
| | JTAS10-1315A | Run Capacitor (not shown) | 5HP, 1Ph motor | 1 |
| 132 | TS-0209071 | Socket Head Cap Screw | 3/8-16x1-1/2 | 6 |
| 133 | JTAS10DX-133 | Rear Trunnion Bracket | | 1 |
| 134 | TS-0561031 | Hex Nut | 3/8-16 | 5 |
| 135 | TS-0209051 | Socket Head Cap Screw | 3/8-16x1 | 4 |
| 136 | JTAS10-136 | Spring Pin | M8x25 | 4 |
| 137 | TS-0561081 | Hex Nut | 3/4-10 | 1 |
| 138 | JTAS10-138 | Fiber Washer | | 4 |
| 139 | JTAS10DX-139 | Rear Trunnion | | 1 |
| 140 | JTAS10-140 | Rear Bushing | | 2 |
| 140-1 | JTAS10DX-140 | Front Bushing | | 1 |
| 141 | JTAS10DX-141 | Yoke | | 1 |
| 142 | TS-0270011 | Socket Set Screw | 5/16-18x1/4 | 4 |
| 143 | JTAS10-143 | Collar | | 2 |
| 144 | JTAS10DX-144 | Shaft | | 1 |
| 145 | JTAS10-145 | Spring Pin | M5x30 | 2 |
| 146 | JTAS10-146 | Worm (Left thread) | | 2 |
| 146-1 | JTAS10DX-146 | Worm (Right thread) | | 1 |
| 147 | JTAS10-147 | Lock Pin | | 4 |
| 148 | JTAS10-148 | Key | M5x35 | 2 |

Trunnion & Motor Parts List

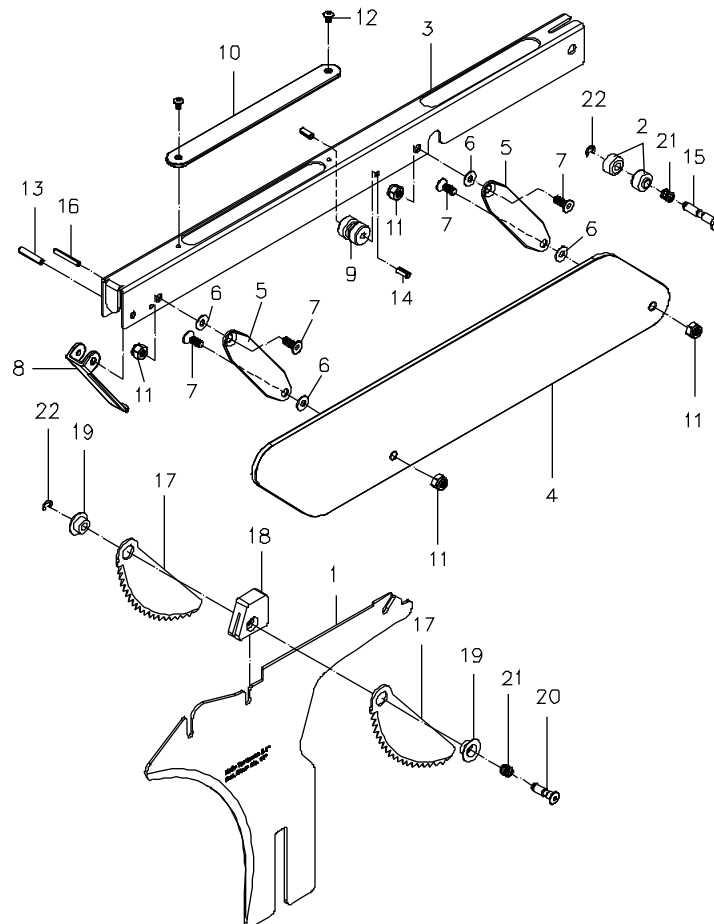
| Index No. | Part No. | Description | Size | Qty |
|-----------|---------------|---|--------------|-----|
| 149 | TS-0208041 | Socket Head Cap Screw | 5/16-18x3/4" | 4 |
| 150 | JTAS10L-150N | Dust Deflector | | 1 |
| 151 | JTAS10L-151N | Hose Clamp | | 2 |
| 152 | JTAS10DX-152 | Front Trunnion | | 1 |
| | JTAS10DX-TA | Trunnion Assembly (#113, 135, 136, #139 through #141 and # 152) | | 1 |
| 153 | TS-0051021 | Hex Cap Screw | 5/16-18x5/8 | 2 |
| 154 | TS-0561021 | Hex Nut | 5/16-18 | 2 |
| 155 | JTAS10-155A | Lock Knob | | 2 |
| 156 | JTAS10-156 | Fiber Washer | | 2 |
| 157 | TS-0208061 | Socket Head Cap Screw | 5/16-18x1 | 2 |
| 158 | JTAS10DX-158 | Front Trunnion Bracket | | 1 |
| 159 | JTAS10-159 | Hand Wheel Handle | | 2 |
| 160 | JTAS10-160 | Hand Wheel | | 2 |
| 161 | JTAS10-161 | Shield Plate | | 1 |
| 162 | TS-0813022 | Round Head Screw | 1/4-20x3/8 | 1 |
| 163 | JTAS10-163 | Pointer | | 1 |
| 164 | JTAS10-164 | Pointer Bracket | | 1 |
| 165 | TS-081C102 | Pan Head Screw | #10-24x2 | 2 |
| 166 | JTAS10DX-166 | Guide Block | | 1 |
| 167 | TS-0680041 | Flat Washer | 3/8 | 1 |
| 169 | JTAS10DX-169 | Tilt Shaft | | 1 |
| 170 | JTAS10L-170 | Wrench | | 1 |
| 171 | JTAS10L-171 | Hose | 700mm | 1 |
| 172 | JTAS10L-172 | Plate | | 1 |
| 173 | TS-0208041 | Socket Head Cap Screw | 5/16-18x3/4 | 3 |
| 174 | JTAS10L-174 | Chip Plate | | 1 |
| 175 | TS-0680011 | Flat Washer | 3/16 | 3 |
| 176 | TS-0720051 | Lock Washer | #10 | 3 |
| 177 | JTAS10L-177 | Hex Cap Bolt | #10-24x3/8 | 3 |
| 178 | JTAS10L-178 | Special Screw | | 1 |
| 179 | JTAS10L-179A | Arbor Lock Insert Assembly (#179-1through #179-5) | | 1 |
| 179-1 | JTAS10L-179-1 | Arbor Lock Insert | Ø8 | 1 |
| 179-2 | JTAS10L-179-2 | Spring | | 1 |
| 179-3 | JTAS10L-179-3 | Insert Bracket | | 1 |
| 179-4 | TS-1502051 | Socket Head Cap Screw | M5 x 20 | 2 |
| 179-5 | TS-1521041 | Socket Set Screw | M4 x 10 | 1 |
| 180 | JTAS10L-180 | Spring | | 1 |
| 181 | TS-0640071 | Nylon Insert Lock Nut | 1/4-20 | 3 |
| 182 | JTAS10L-182N | Spacer | | 2 |
| 183 | JTAS10L-183 | Guide Bracket | | 1 |
| 184 | TS-0245051 | Flat Head Socket Screw | 1/4-20x1 | 2 |
| 185 | JTAS10L-185 | Special Screw | | 1 |
| 186 | JTAS10L-186 | Extension Support Plate | | 1 |
| 187 | TS-1541021 | Nylon Insert Lock Nut | M6 | 1 |
| 188 | JTAS10L-188 | Plate | | 1 |
| 189 | JTAS10L-189A | Riving Knife Extension Plate | | 1 |
| 190 | TS-1513021 | Flat Head Socket Screw | M5x12 | 2 |
| 191 | JTAS10L-191 | Clamping Block | | 1 |
| 192 | JTAS10L-192 | Spring | | 1 |
| 193 | JTAS10L-193 | Clamping Block | | 1 |
| 194 | TS-1514031 | Flat Head Socket Screw | M6X20 | 2 |
| 195 | JTAS10L-195 | Locking Handle | | 1 |
| 196 | TS-1541031 | Nylon Insert Lock Nut | M8 | 1 |
| 197 | JTAS10L-197 | Spring Shim Ring | | 1 |
| 198 | JTAS10L-198 | C-Ring | S52 | 1 |

Trunion & Motor Assembly Drawing



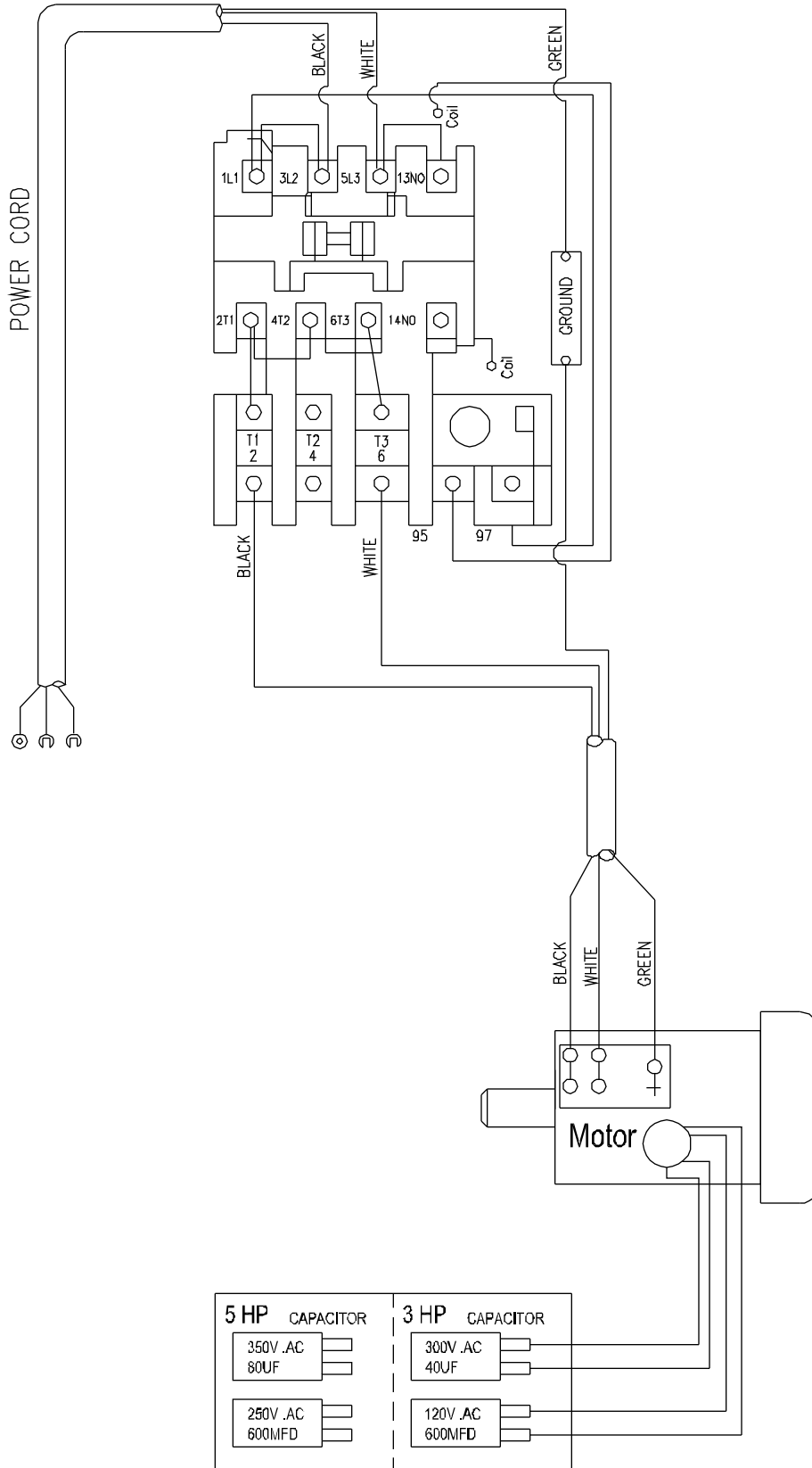
Blade Guard Parts and Assembly

| Index No. | Part No. | Description | Size | Qty |
|-----------|--------------|--|-----------|-----|
| 1 | JTAS10L-301 | Riving Knife | | 1 |
| | JTAS10DX-BGA | Blade Guard Assembly (Index #2 thru #16, #21, #22) | | 1 |
| 2 | PM2000-302 | Bushing | | 2 |
| 3 | JTAS10L-303 | Blade Guard Body | | 1 |
| 4 | JTAS10L-304 | Blade Guard Side Shield | | 2 |
| 5 | PM2000-305 | Linking Plate | | 4 |
| 6 | TS-1550041 | Flat Washer | M6 | 8 |
| 7 | TS-1514021 | Flat Head Socket Screw | M6x16 | 8 |
| 8 | PM2000-308 | Front Shield | | 1 |
| 9 | PM2000-309 | Bushing | | 1 |
| 10 | PM2000-310 | Top Sight Shield | | 1 |
| 11 | TS-1541021 | Nylon Insert Lock Nut | M6 | 8 |
| 12 | TS-081B012 | Pan Head Screw | #8-32x1/4 | 2 |
| 13 | PM2000-313 | Roll Pin | 5x25 | 1 |
| 14 | PM2000-314 | Roll Pin | 5x12 | 2 |
| 15 | PM2000-315 | Lock Pin | | 1 |
| 16 | PM2000-316 | Roll Pin | 4x28 | 1 |
| | PM2000-AKPA | Anti-Kickback Pawl Assembly (Index #17 thru #22) | | 1 |
| 17 | PM2000-317 | Anti-Kickback Pawl | | 2 |
| 18 | PM2000-318 | Pawl Base | | 1 |
| 19 | PM2000-319 | Flange | | 2 |
| 20 | PM2000-320 | Lock Pin | | 1 |
| 21 | PM2000-321 | Spring | | 2 |
| 22 | PM2000-322 | E-Clip | E5 | 2 |



Wiring Diagrams

3HP/5HP, 230V, 1Phase



5HP, 230V, 3 Phase

