

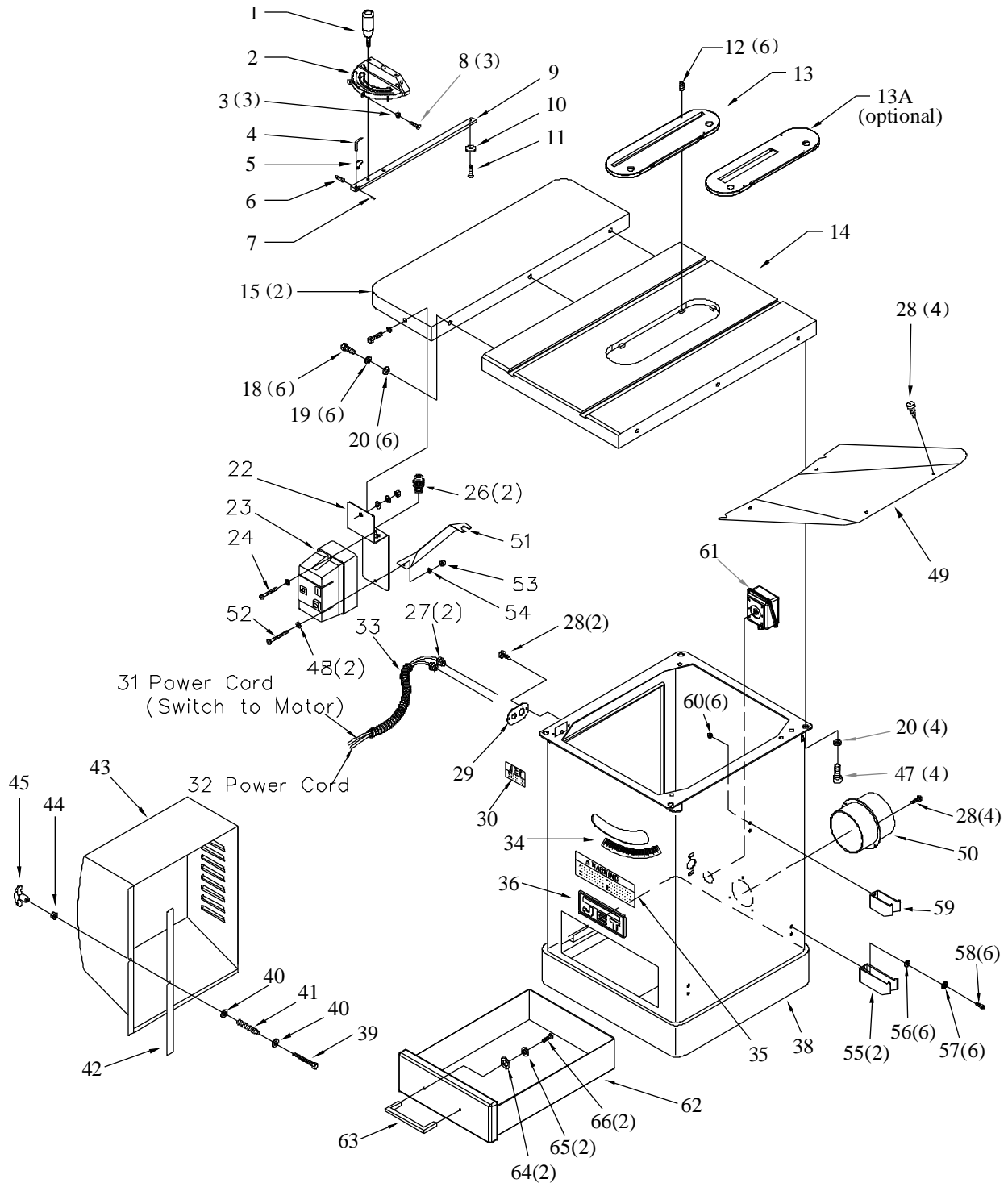
Table & Cabinet Parts List

Index No.	Part No.	Description	Size	Qty
1	JTAS10-1	Lock Knob		1
2	JTAS10-2	Miter Gauge Body		1
3	TS-1540031	Hex Nut	M5	3
4	JTAS10-4	Pointer		1
5	JTAS10-5	Stop Link		1
6	TS-1521011	Socket Set Screw	M4x4	1
7	JTAS10-7	Special Pin	M3x6	1
8	TS-2205201	Hex Cap Screw	M5x20	3
9	JTAS10-9	Guide Bar		1
10	JTAS10-10	Guide Washer		1
11	JTAS10-11	Flat Head Screw	M6x8	1
	JTAS10-MG	Miter Gauge Assembly (#1-11)		1
12	TS-0267041	Socket Set Screw	1/4-20x3/8	6
13	JTAS10L-13N	Table Insert		1
13A	708097	Dado Insert - <i>(Optional Accessory)</i>		1
14	JTAS10L-14WN	Table		1
15	JTAS10L-15WN	Extension Wing		2
18	TS-0061051	Hex Cap Screw	7/16-14x1-1/2	6
19	TS-0720101	Lock Washer	7/16	6
20	TS-0680051	Flat Washer	7/16	10
22	JTAS10-22W	Switch Plate		1
23	JTAS10-23	Magnetic Switch	3HP, 230V, 1 Ph	1
	JTAS10-23A	Magnetic Switch	5HP, 230V, 3 Ph	1
	JTAS10-23B	Magnetic Switch	5HP, 460V, 3 Ph	1
	JTAS12-23	Magnetic Switch *	5HP, 1 Ph, 230V	1
24	TS-081C052	Pan Head Screw	#10-24x3/4	1
26	JTAS10-26	Strain Relief Bushing		2
27	JTAS10-27	Strain Relief Bushing		2
28	JTAS10-28	Tap Screw	M5x10	10
29	JTAS10-29	Cord Plate		1
30	JTAS10L-30N	Identification Plate		1
31	JTAS10DX-31	Power Cord (switch to motor)		1
32	JTAS10DX-32	Power Cord		1
33	JTAS10-33	Power Cord Sleeve		1
34	JTAS10L-34	Tilt Scale		1
35	JTAS10-35	Warning Label		1
36	JTAS10-36	JET Label		1
38	JTAS10L-38WN	Cabinet		1
39	TS-1482101	Hex Cap Screw	M6x50	1
40	TS-0680021	Flat Washer	1/4	2
41	JTAS10-41	Spring		1
42	JTAS10-42	Foam Strip		1
43	JTAS10L-43WN	Motor Cover		1
44	TS-1540021	Nylon Insert Lock Nut	M6	1
45	JTAS10-45	Handle		1
47	TS-0210011	Socket Head Cap Screw	7/16-14x3/4	4
48	TS-0680011	Flat Washer	3/16	2
49	JTAS10L-49WN	Lower Panel		1
50	JTAS10L-50N	Dust Hose Adapter		1
51	JTAS10-52W	Switch Brace Kit **		1
52	TS-081C062	Screw	#10-24x1	1
53	TS-0560071	Hex Nut	#10-24	1
54	TS-0733031	Star Washer	#10	1
55	JTAS10L-55	Hook		2
56	TS-0680021	Flat Washer	1/4	6
57	TS-0720071	Lock Washer	1/4	6

58.....	TS-0207031	Socket Head Cap Screw	1/4-20x5/8.....	6
59.....	JTAS10L-59	Hook.....		1
60.....	TS-0561011	Hex Nut.....	1/4-20.....	6
61.....	JTAS10L-61	Electrical Box		1
62.....	JTAS10L-62	Drawer.....		1
63.....	JTAS10L-63	Handle		1
64.....	TS-1550031	Flat Washer.....	M5.....	2
65.....	TS-0720051	Lock Washer	#10.....	2
66.....	TS-081C032.....	Pan Head Screw.....	#10-24x1/2.....	2

* 10" saws with 5HP, 1Ph motor uses these parts.

** Switch Brace kit contains bracket, screw, nut, star washer, and 8mm hex wrench.



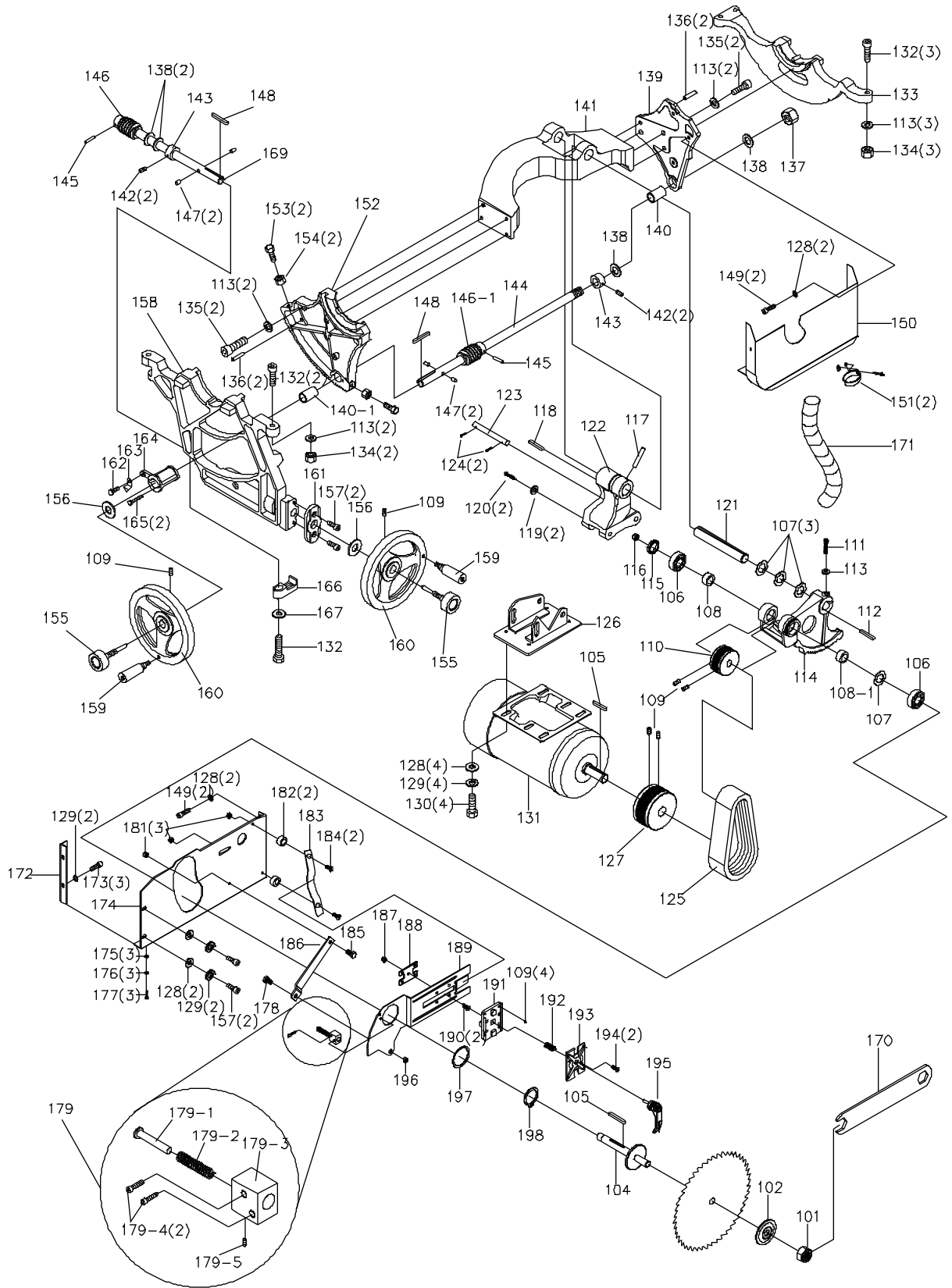
Trunnion & Motor Parts List

Index No.	Part No.	Description	Size	Qty
101	JTAS10L-101	Arbor Nut		1
102	JTAS10-102	Arbor Flange		1
104	JTAS10L-104N	Arbor with Flange		1
105	JTAS10-105	Key	M5x44	2
106	BB-6203ZZ	Ball Bearing	6203ZZ	2
107	JTAS10-107	Wave Washer		4
108	JTAS10-108	Rear Bearing Load Spacer		2
108-1	JTAS10DX-108	Front Bearing Load Spacer		1
109	TS-0267041	Socket Set Screw	1/4-20x3/8	10
110	JTAS10-110N	Arbor Pulley		1
111	TS-0209081	Socket Head Cap Screw	3/8-16x1-3/4	1
112	JTAS10DX-112	Key	1/4x1/4x45	1
113	TS-0720091	Lock Washer	3/8	10
114	JTAS10DX-114	Arbor Bracket		1
115	JTAS10-115	Spanner Nut		1
116	JTAS10L-116	Nut	5/8	1
117	JTAS10-117	Spring Pin	M6x50	1
118	JTAS10-118	Key	1/4x1/4x2-5/16	1
119	TS-0680051	Flat Washer	7/16	2
120	TS-0091031	Hex Cap Screw	7/16-14x1	2
121	JTAS10DX-121	Shaft		1
122	JTAS10-122	Motor Bracket		1
123	JTAS10-123	Pin		1
124	JTAS10-124	Spring Clip		2
125	JTAS10L-125N	Poly V-Belt	260J	1
126	JTAS10DX-126	Motor Mounting Bracket		1
127	JTAS10-127N	Motor Pulley		1
128	TS-0680031	Flat Washer	5/16	10
129	TS-0720081	Lock Washer	5/16	9
130	TS-0081031	Hex Cap Screw	5/16-18x3/4	4
131	JTAS10DX-131N	Motor	3HP, 1Ph, 230V only	1
	JTAS10DX-131C	Motor	5HP, 1Ph, 230V only	1
	JTAS10DX-131A	Motor	5HP, 3Ph, 230/460V	1
	JTAS10DX-131CS	Centrifugal Switch Assembly (not shown)		1
	JTAS10-131D	Fan Cover (not shown)		1
	JTAS10-131F	Motor Fan (not shown)		1
	C-600125	Start Capacitor (not shown)	3HP, 1Ph motor	1
	C-040250	Run Capacitor (not shown)	3HP, 1Ph motor	1
	JTAS10-1315B	Start Capacitor (not shown)	5HP, 1Ph motor	1
	JTAS10-1315A	Run Capacitor (not shown)	5HP, 1Ph motor	1
132	TS-0209071	Socket Head Cap Screw	3/8-16x1-1/2	6
133	JTAS10DX-133	Rear Trunnion Bracket		1
134	TS-0561031	Hex Nut	3/8-16	5
135	TS-0209051	Socket Head Cap Screw	3/8-16x1	4
136	JTAS10-136	Spring Pin	M8x25	4
137	TS-0561081	Hex Nut	3/4-10	1
138	JTAS10-138	Fiber Washer		4
139	JTAS10DX-139	Rear Trunnion		1
140	JTAS10-140	Rear Bushing		2
140-1	JTAS10DX-140	Front Bushing		1
141	JTAS10DX-141	Yoke		1
142	TS-0270011	Socket Set Screw	5/16-18x1/4	4
143	JTAS10-143	Collar		2
144	JTAS10DX-144	Shaft		1
145	JTAS10-145	Spring Pin	M5x30	2
146	JTAS10-146	Worm (Left thread)		2
146-1	JTAS10DX-146	Worm (Right thread)		1
147	JTAS10-147	Lock Pin		4
148	JTAS10-148	Key	M5x35	2

Trunnion & Motor Parts List

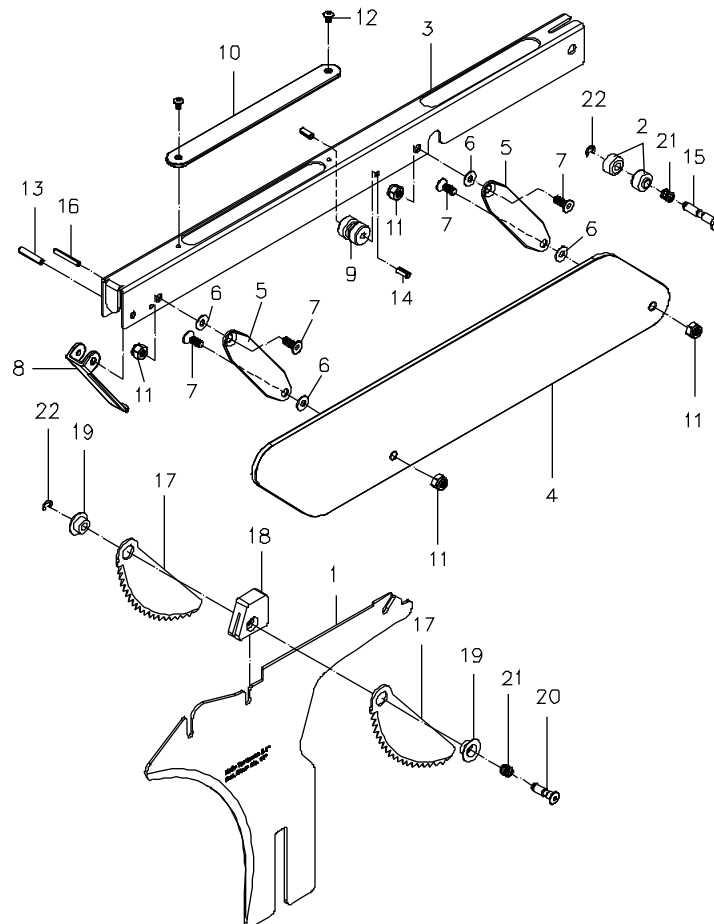
Index No.	Part No.	Description	Size	Qty
149	TS-0208041	Socket Head Cap Screw	5/16-18x3/4"	4
150	JTAS10L-150N	Dust Deflector		1
151	JTAS10L-151N	Hose Clamp		2
152	JTAS10DX-152	Front Trunnion		1
	JTAS10DX-TA	Trunnion Assembly (#113, 135, 136, #139 through #141 and # 152)		1
153	TS-0051021	Hex Cap Screw	5/16-18x5/8	2
154	TS-0561021	Hex Nut	5/16-18	2
155	JTAS10-155A	Lock Knob		2
156	JTAS10-156	Fiber Washer		2
157	TS-0208061	Socket Head Cap Screw	5/16-18x1	2
158	JTAS10DX-158	Front Trunnion Bracket		1
159	JTAS10-159	Hand Wheel Handle		2
160	JTAS10-160	Hand Wheel		2
161	JTAS10-161	Shield Plate		1
162	TS-0813022	Round Head Screw	1/4-20x3/8	1
163	JTAS10-163	Pointer		1
164	JTAS10-164	Pointer Bracket		1
165	TS-081C102	Pan Head Screw	#10-24x2	2
166	JTAS10DX-166	Guide Block		1
167	TS-0680041	Flat Washer	3/8	1
169	JTAS10DX-169	Tilt Shaft		1
170	JTAS10L-170	Wrench		1
171	JTAS10L-171	Hose	700mm	1
172	JTAS10L-172	Plate		1
173	TS-0208041	Socket Head Cap Screw	5/16-18x3/4	3
174	JTAS10L-174	Chip Plate		1
175	TS-0680011	Flat Washer	3/16	3
176	TS-0720051	Lock Washer	#10	3
177	JTAS10L-177	Hex Cap Bolt	#10-24x3/8	3
178	JTAS10L-178	Special Screw		1
179	JTAS10L-179A	Arbor Lock Insert Assembly (#179-1through #179-5)		1
179-1	JTAS10L-179-1	Arbor Lock Insert	Ø8	1
179-2	JTAS10L-179-2	Spring		1
179-3	JTAS10L-179-3	Insert Bracket		1
179-4	TS-1502051	Socket Head Cap Screw	M5 x 20	2
179-5	TS-1521041	Socket Set Screw	M4 x 10	1
180	JTAS10L-180	Spring		1
181	TS-0640071	Nylon Insert Lock Nut	1/4-20	3
182	JTAS10L-182N	Spacer		2
183	JTAS10L-183	Guide Bracket		1
184	TS-0245051	Flat Head Socket Screw	1/4-20x1	2
185	JTAS10L-185	Special Screw		1
186	JTAS10L-186	Extension Support Plate		1
187	TS-1541021	Nylon Insert Lock Nut	M6	1
188	JTAS10L-188	Plate		1
189	JTAS10L-189A	Riving Knife Extension Plate		1
190	TS-1513021	Flat Head Socket Screw	M5x12	2
191	JTAS10L-191	Clamping Block		1
192	JTAS10L-192	Spring		1
193	JTAS10L-193	Clamping Block		1
194	TS-1514031	Flat Head Socket Screw	M6X20	2
195	JTAS10L-195	Locking Handle		1
196	TS-1541031	Nylon Insert Lock Nut	M8	1
197	JTAS10L-197	Spring Shim Ring		1
198	JTAS10L-198	C-Ring	S52	1

Trunion & Motor Assembly Drawing



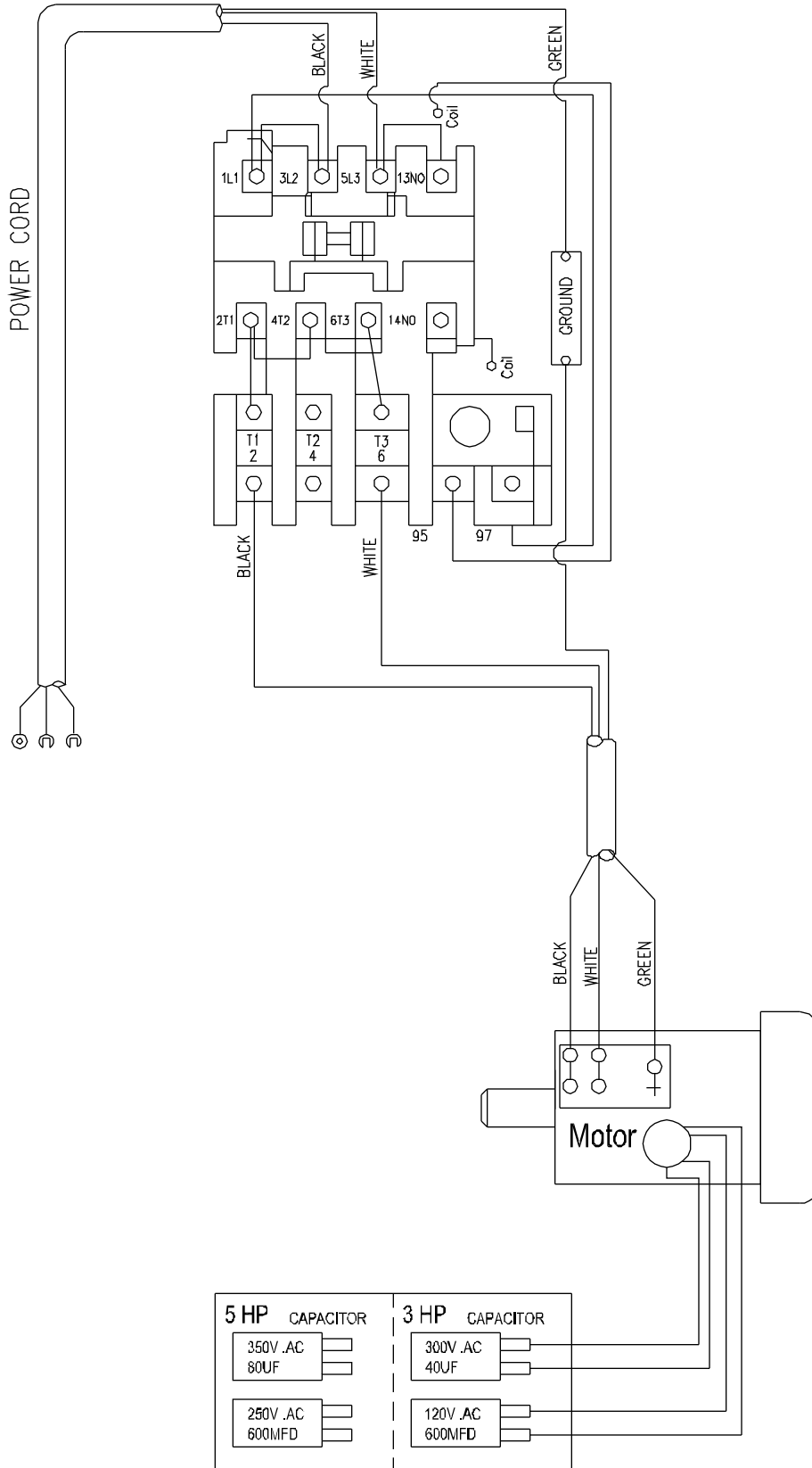
Blade Guard Parts and Assembly

Index No.	Part No.	Description	Size	Qty
1	JTAS10L-301	Riving Knife		1
	JTAS10DX-BGA	Blade Guard Assembly (Index #2 thru #16, #21, #22)		1
2	PM2000-302	Bushing		2
3	JTAS10L-303	Blade Guard Body		1
4	JTAS10L-304	Blade Guard Side Shield		2
5	PM2000-305	Linking Plate		4
6	TS-1550041	Flat Washer	M6	8
7	TS-1514021	Flat Head Socket Screw	M6x16	8
8	PM2000-308	Front Shield		1
9	PM2000-309	Bushing		1
10	PM2000-310	Top Sight Shield		1
11	TS-1541021	Nylon Insert Lock Nut	M6	8
12	TS-081B012	Pan Head Screw	#8-32x1/4	2
13	PM2000-313	Roll Pin	5x25	1
14	PM2000-314	Roll Pin	5x12	2
15	PM2000-315	Lock Pin		1
16	PM2000-316	Roll Pin	4x28	1
	PM2000-AKPA	Anti-Kickback Pawl Assembly (Index #17 thru #22)		1
17	PM2000-317	Anti-Kickback Pawl		2
18	PM2000-318	Pawl Base		1
19	PM2000-319	Flange		2
20	PM2000-320	Lock Pin		1
21	PM2000-321	Spring		2
22	PM2000-322	E-Clip	E5	2



Wiring Diagrams

3HP/5HP, 230V, 1Phase



5HP, 230V, 3 Phase

