

Table and Cabinet Assembly – JTAS-10XL

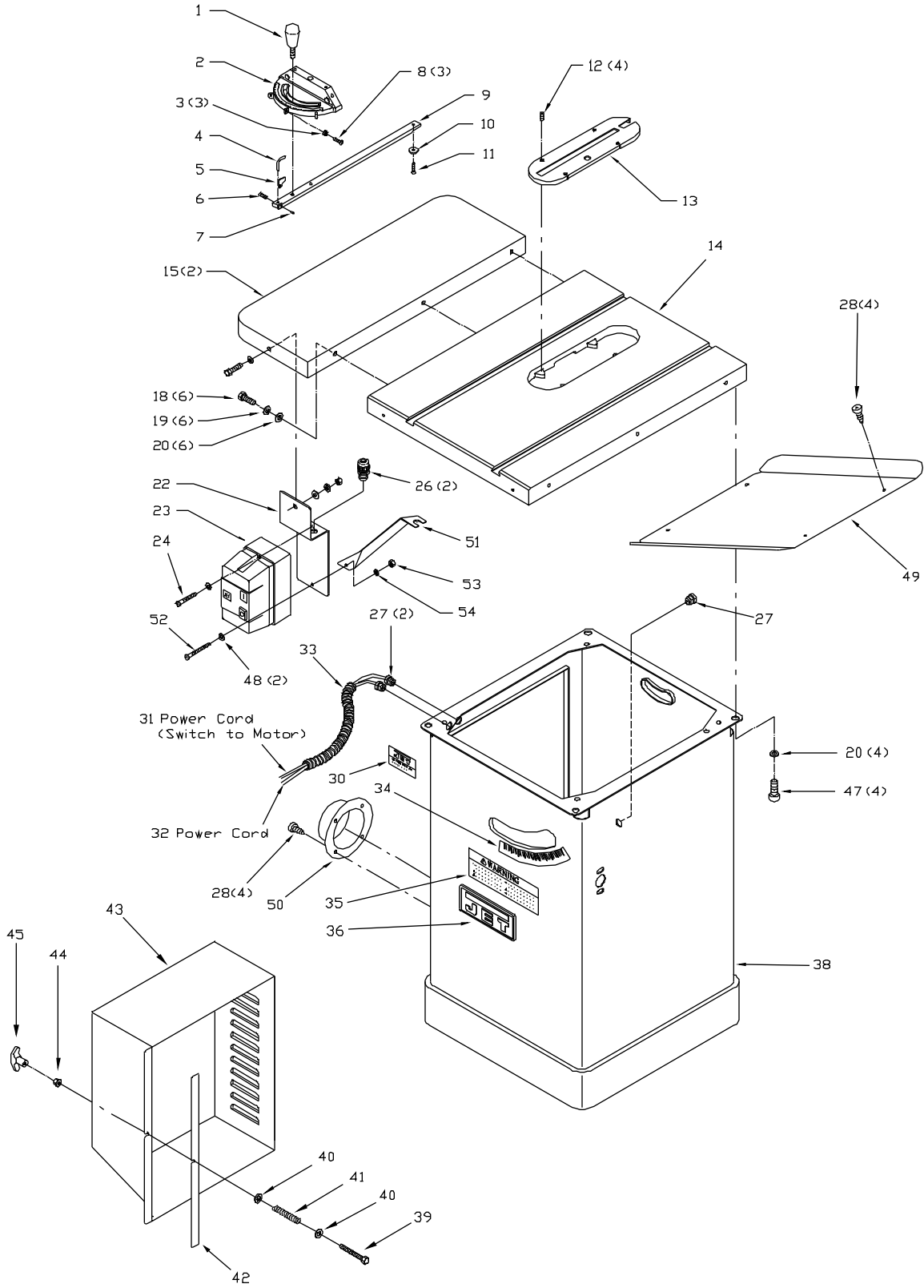


Table and Cabinet Assembly – JTAS-10XL

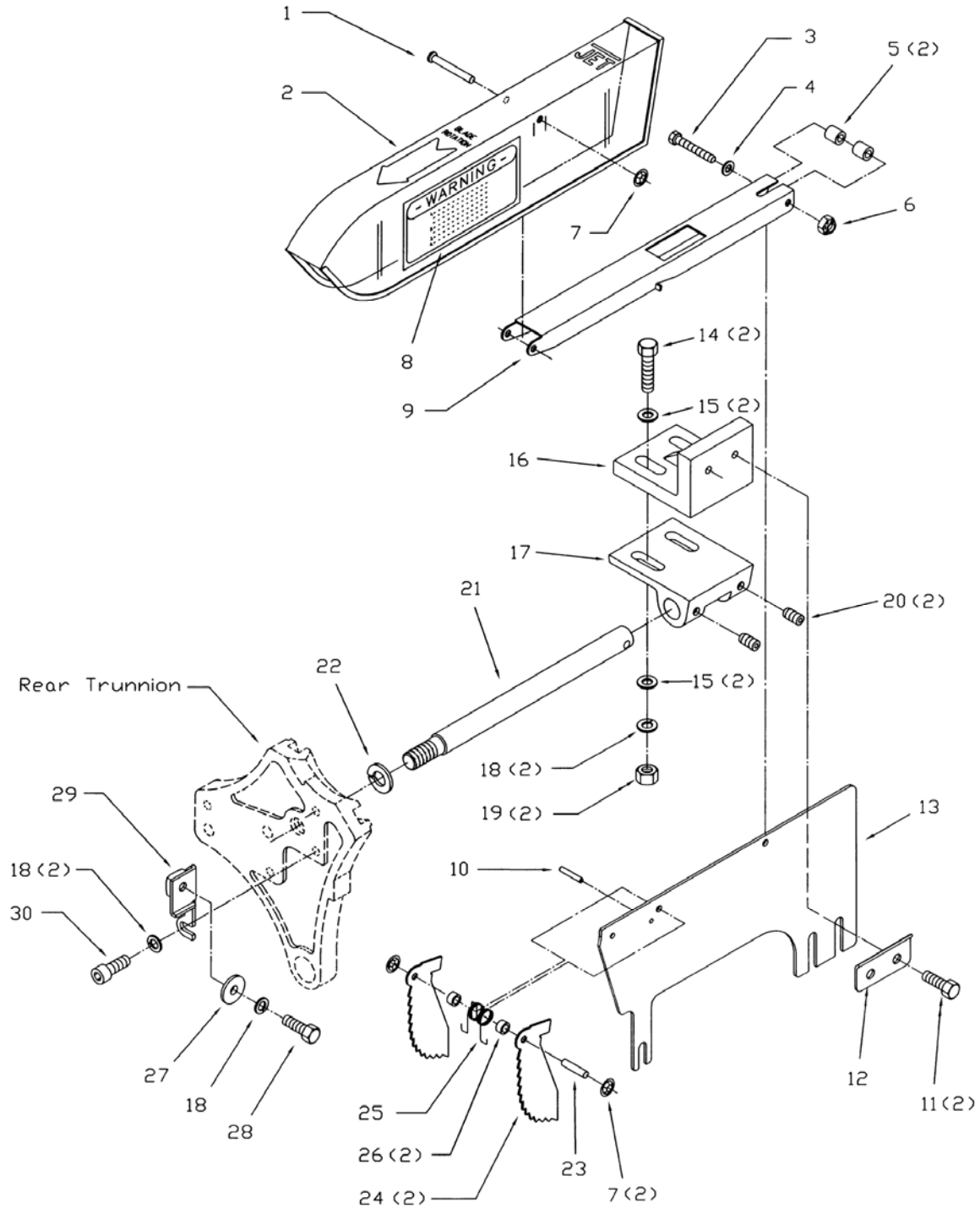
Index No.	Part No.	Description	Size	Qty.
1	JTAS10-1	Lock Knob		1
2	JTAS10-2	Miter Gauge Body		1
3	TS-1540031	Hex Nut	M5	3
4	JTAS10-4	Pointer		1
5	JTAS10-5	Stop Link		1
6	TS-1521011	Set Screw	M4x4	1
7	JTAS10-7	Special Pin	M3x6	1
8	JTAS10-8	Screw	M5x20	1
9	JTAS10-9	Guide Bar		1
10	JTAS10-10	Guide Washer		1
11	JTAS10-11	Flat Head Screw	M6x8	1
	JTAS10-MG	Miter Gauge Assembly (#1-11)		1
12	TS-0267041	Set Screw	1/4x3/8	4
13	JTAS10L-13	Table Insert		1
14	JTAS10L-14W	Table		1
15	JTAS10-15W	Extension Wing		2
18	TS-0061051	Hex Socket Cap Screw	7/16x1-1/2	6
19	TS-0720101	Lock Washer	7/16	6
20	TS-0680051	Flat Washer	7/16	10
22	JTAS10-22W	Switch Plate		1
23	JTAS10-23	Magnetic Switch	3HP, 230V, 1 Ph	1
	JTAS10-23A	Magnetic Switch	5HP, 230V, 3 Ph	1
	JTAS10-23B	Magnetic Switch	5HP, 460V, 3 Ph	1
	JTAS12-23	Magnetic Switch *	5HP, 1 Ph, 230V	1
24	JTAS10-24	Screw	3/16x3/4	1
26	JTAS10-26	Strain Relief Bushing		2
27	JTAS10-27	Strain Relief Bushing		3
	JTAS12-27	Strain Relief Bushing *		3
28	JTAS10-28	Tap Screw	M5x10	8
29	JTAS10-29	Cord Plate		1
	JTAS12-29	Cord Plate *		1
30	JTAS10L-30	Identification Plate		1
31	JTAS10-31	Power Cord (switch to motor)		1
	JTAS12-31	Power Cord (switch to motor) *		1
32	JTAS10-32	Power Cord		1
	JTAS12-32	Power Cord *		1
33	JTAS10-33	Power Cord Sleeve		1
	JTAS12-33	Power Cord Sleeve *		1
34	JTAS10L-34	Tilt Scale		1
35	JTAS10-35	Warning Label		1
36	JTAS10L-36	JET Label		1
38	JTAS10L-38WA	Cabinet		1
39	TS-1482101	Hex Cap Bolt	M6x50	1
40	TS-0680021	Flat Washer	1/4	2
41	JTAS10-41	Spring		1
42	JTAS10-42	Foam Strip		1
43	JTAS10L-43W	Motor Cover		1
44	TS-1540021	Hex Nut	M6	1
45	JTAS10-45	Handle		1
46	JTAS10-47	Cord Clamp Plate		1
	JTAS12-47	Cord Clamp Plate *		1
47	TS-0210011	Hex Socket Cap Screw	7/16x3/4	4
48	TS-0680011	Flat Washer	3/16	2

Index No.	Part No.	Description	Size	Qty.
49	JTAS10-50W	Lower Panel		1
50	JTAS10-51	Dust Hose Adapter		1
51	JTAS10-52W	Switch Brace Kit **		1
52	JTAS10-53	Screw	3/16 x 1	1
53	JTAS10-54	Nut	3/16	1
54	JTAS10-55	Star Washer	3/16	1

* 10" saws with 5HP, 1Ph motor uses these parts.

** Switch Brace kit contains bracket, screw, nut, star washer, and 8mm hex wrench.

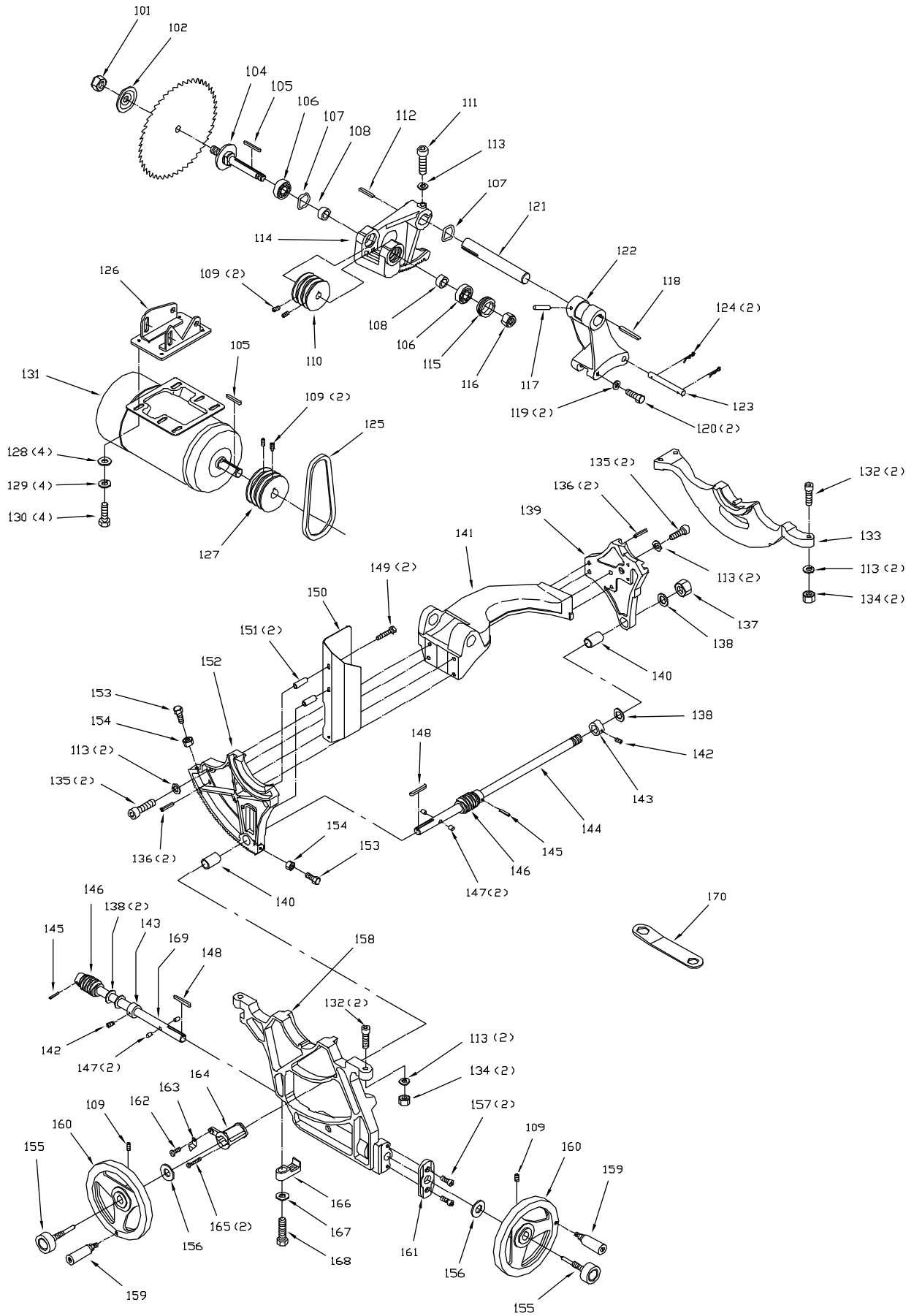
Blade Guard Assembly – JTAS-10XL



Blade Guard Assembly – JTAS-10XL

Index No.	Part No.	Description	Size	Qty.
	JTAS10L-BG	Blade Guard Assembly (# 1-10/13/23-26)		1
1	JTAS10-G1	Pin		1
2	JTAS10L-G2	Guard		1
3	TS-0207091	Hex Socket Cap Screw	1/4x1-1/2	1
4	TS-0680021	Flat Washer	1/4	1
5	JTAS10-G5	Spacer		2
6	TS-0561011	Hex Nut	1/4	1
7	JTAS10-G7	Lock Grommet		3
8	JTAS10-G8	Warning Label		1
9	JTAS10-G9	Support Arm		1
10	JTAS10-G10	Pin		1
11	TS-0208061	Hex Cap Bolt	5/16x1	2
12	JTAS10-G12	Plate		1
13	JTAS10-G13	Splitter		1
14	TS-0051071	Hex Cap Bolt	5/16x1-1/2	2
15	TS-0680031	Flat Washer	5/16	4
16	JTAS10-G15	Upper Blade Guard Bracket		1
17	JTAS10-G16	Lower Blade Guard Bracket		1
18	TS-0720081	Lock Washer	5/16	5
19	TS-0561021	Hex Nut	5/16	2
20	TS-0270031	Set Screw	5/16x3/8	2
21	JTAS10-G21A	Shaft		1
22	TS-0720141	Lock Washer	5/8	1
23	JTAS10-G23	Pin		1
24	JTAS10-G24	Anti-Kickback Pawl		2
25	JTAS10-G25	Spring		1
26	JTAS10-G26	Spacer		2
27	TS-0680031	Flat Washer	5/16	1
28	TS-0051021	Hex Cap Bolt	5/16x5/8	1
29	JTAS10L-G29	Bracket		1
30	TS-0208021	Hex Socket Cap Screw	5/16 x 1/2	2
	477446	12mm Combination Wrench (not shown)		1

Motor and Trunnion Assembly – JTAS-10XL



Motor and Trunnion Assembly – JTAS-10XL

Index No.	Part No.	Description	Size	Qty.
101	JTAS10L-101	Arbor Nut		1
102	JTAS10-102	Arbor Flange		1
104	JTAS10L-104	Arbor with Flange		1
105	JTAS10-105	Key	M5x1-1/2	2
106	BB-6203ZZ	Ball Bearing		2
107	JTAS10-107	Wave Washer		2
108	JTAS10-108	Bearing Load Spacer		2
109	TS-0267041	Set Screw	1/4x3/8	6
110	JTAS10-110	Arbor Pulley		1
111	TS-0209031	Hex Socket Cap Screw	3/8x1-3/4	1
112	JTAS10-112	Key	1/4x50	1
113	TS-0720091	Lock Washer	3/8	10
114	JTAS10L-114	Arbor Bracket		1
115	JTAS10-115	Spanner Nut		1
116	JTAS10L-116	Arbor Nut	5/8	1
117	JTAS10-117	Spring Pin	M6x50	1
118	JTAS10-118	Key	1/4x75	1
119	TS-0680051	Flat Washer	7/16	2
120	TS-0091031	Hex Cap Bolt	7/16x1	2
121	JTAS10-121	Shaft		1
122	JTAS10L-122	Motor Bracket		1
123	JTAS10-123	Pin		1
124	JTAS10-124	Spring Clip		2
125	VB-A23	V-Belt		3
126	JTAS10L-126	Motor Mounting Bracket		1
127	JTAS10-127	Motor Pulley		1
128	TS-0680031	Flat Washer	5/16	4
129	TS-0720081	Lock Washer	5/16	4
130	TS-0051031	Hex Cap Bolt	5/16x3/4	4
131	JTAS10L-131N	Motor (3HP, 1Ph, 230V only)		1
	JTAS10L-131C	Motor (5HP, 1Ph, 230V only)		1
	JTAS10L-131A	Motor (5HP, 3PH, 230/460V)		1
	JTAS10-131-017	Centrifugal Switch Assembly (not shown)		1
	JTAS10-131D	Fan Cover (not shown)		1
	JTAS10-131F	Motor Fan (not shown)		1
	C-600125	Start Capacitor (not shown)	3HP, 1Ph motor	1
	C-040250	Run Capacitor (not shown)	3HP, 1Ph motor	1
	JTAS10-1315B	Start Capacitor (not shown)	5HP, 1Ph motor	1
	JTAS10-1315A	Run Capacitor (not shown)	5HP, 1Ph motor	1
132	TS-0209071	Hex Socket Cap Screw	3/8x1-1/2	5
133	JTAS10L-133	Rear Trunnion Bracket		1
134	TS-0561031	Hex Nut	3/8	5
135	TS-0209051	Hex Socket Cap Screw	3/8x1	4
136	JTAS10-136	Spring Pin	M8x25	4
137	TS-0561081	Hex Nut	3/4	1
138	JTAS10-138	Fiber Washer		4
139	JTAS10L-139	Rear Trunnion		1
140	JTAS10-140	Bushing		2
141	JTAS10L-141	Yoke		1
142	TS-0270011	Set Screw	5/16x1/4	4
143	JTAS10-143	Collar		2
144	JTAS10-144	Shaft		1
145	JTAS10-145	Spring Pin	M5x30	2

Index No.	Part No.	Description	Size	Qty.
146	JTAS10-146	Worm		2
147	JTAS10-147	Lock Pin		4
148	JTAS10-148	Key	M5x35	2
149	TS-0051071	Hex Cap Bolt	5/16x1-1/2	2
150	JTAS10L-150	Dust Deflector		1
151	JTAS10-151	Spacer		2
152	JTAS10L-152	Front Trunnion		1
	JTAS10L-TA	Trunnion Assy. (#113, 135-141)		1
153	TS-0051021	Hex Cap Bolt	5/16x5/8	2
154	TS-0561021	Hex Nut	5/16	2
155	JTAS10-155A	Lock Knob		2
156	JTAS10-156	Fiber Washer		2
157	TS-0208061	Hex Socket Cap Screw	5/16x1	2
158	JTAS10L-158	Front Trunnion Bracket		1
159	JTAS10-159	Hand Wheel Handle		2
160	JTAS10-160	Handwheel		2
161	JTAS10-161	Shield Plate		1
162	JTAS10-162	Round Head Screw	1/4x3/8	1
163	JTAS10-163	Pointer	3/8	1
164	JTAS10-164	Pointer Bracket		1
165	JTAS10-165	Round Head Screw	3/16x2	2
166	JTAS10-166	Guide Block		1
167	TS-0680041	Flat Washer	3/8	1
168	TS-0060071	Hex Cap Bolt	3/8x1-1/2	1
169	JTAS10-169	Tilt Shaft		1
170	JTAS10L-170	Wrench		1

Table and Cabinet Assembly – JTAS-12XL

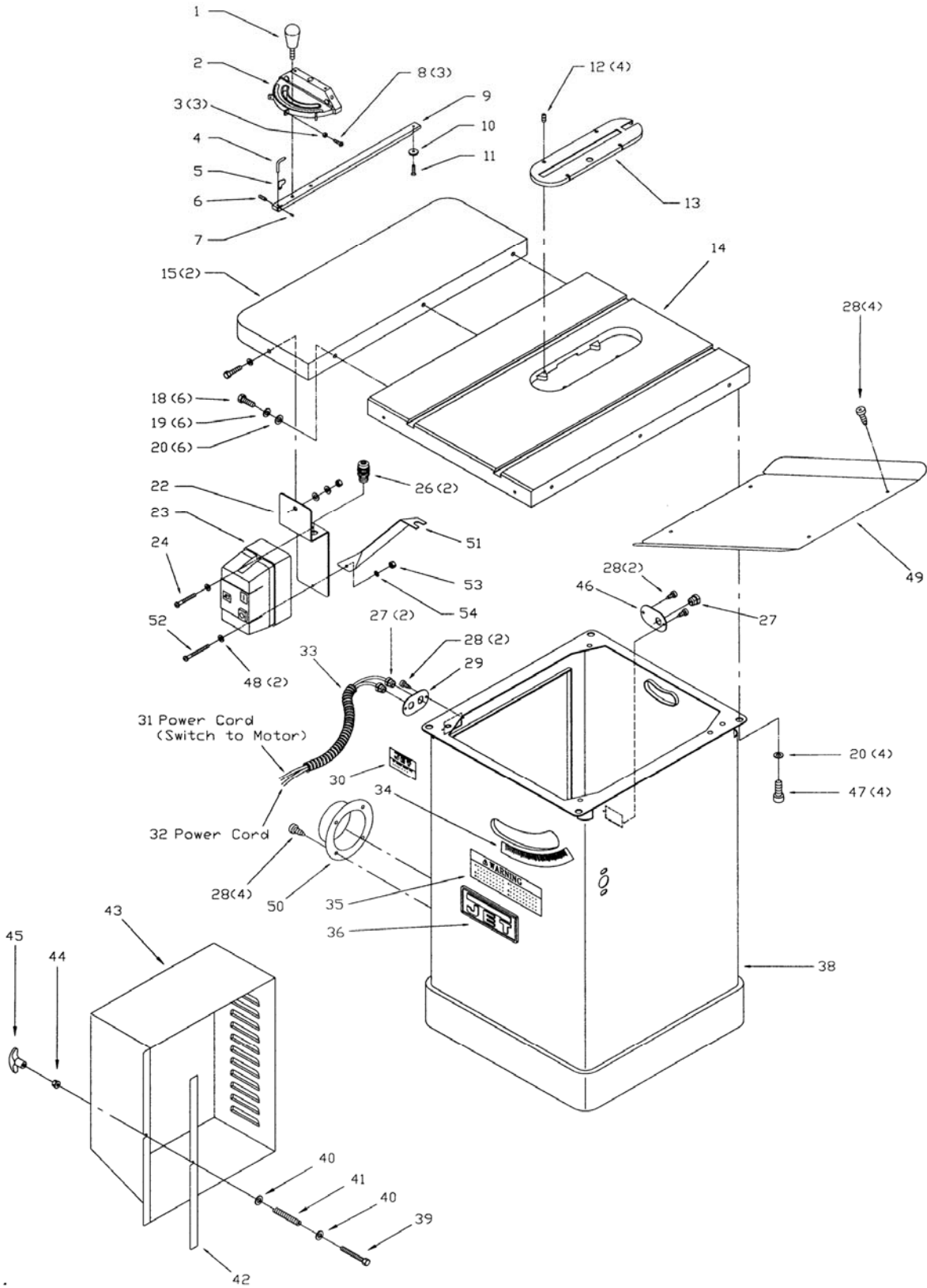


Table and Cabinet Assembly – JTAS-12XL

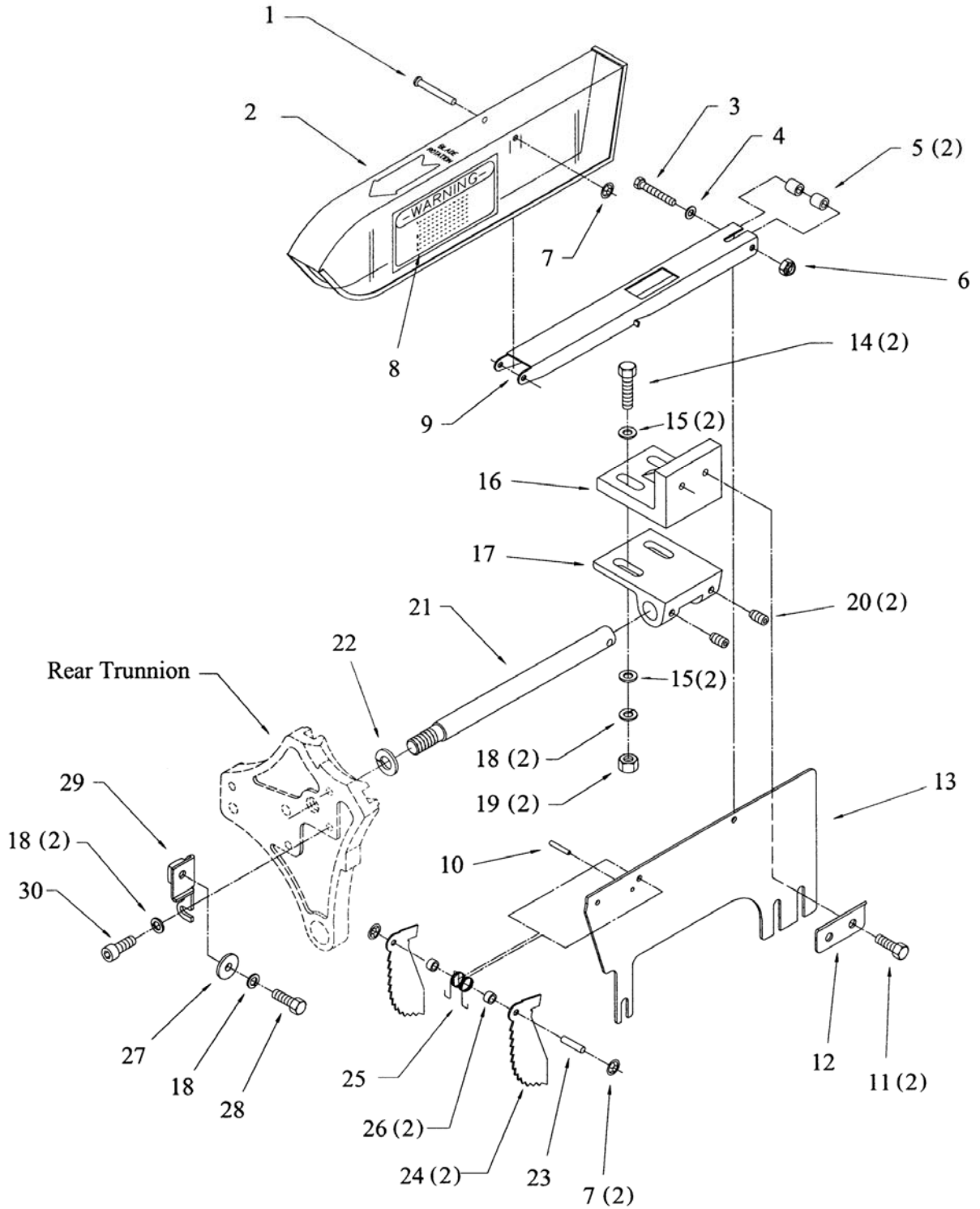
Index No.	Part No.	Description	Size	Qty.
1	JTAS10-1	Lock Knob		1
2	JTAS10-2	Miter Gauge Body		1
3	TS-1540031	Hex Nut	M5	3
4	JTAS10-4	Pointer		1
5	JTAS10-5	Stop Link		1
6	TS-1521011	Set Screw	M4x4	1
7	JTAS10-7	Special Pin	M3x6	1
8	JTAS10-8	Screw	M5x20	3
9	JTAS10-9	Guide Bar		1
10	JTAS10-10	Guide Washer		1
11	JTAS10-11	Flat Head Screw	M6x8	1
	JTAS10-MG	Miter Gauge Assembly (#1-11)		1
12	TS-0267041	Set Screw	1/4-20x3/8	4
13	JTAS12L-13	Table Insert		1
14	JTAS12L-14W	Table		1
15	JTAS12-15W	Extension Wing		2
18	TS-0061051	Hex Cap Screw	7/16-14x1-1/2	6
19	TS-0720101	Lock Washer	7/16	6
20	TS-0680051	Flat Washer	7/16	10
22	JTAS10-22W	Switch Plate		1
23	JTAS10-23B	Magnetic Switch	5HP, 460V, 3 Ph	1
	JTAS12-23	Magnetic Switch *	5HP, 230V, 1 Ph	1
24	TS-081C052	Screw	#10-24x3/4	1
26	JTAS10-26	Strain Relief Bushing		2
27	JTAS10-27	Strain Relief Bushing		3
	JTAS12-27	Strain Relief Bushing *		3
28	JTAS10-28	Tap Screw	M5x10	12
29	JTAS10-29	Cord Plate		1
	JTAS12-29	Cord Plate *		1
30	JTAS12L-30	Identification Plate		1
31	JTAS10-31	Power Cord (switch to motor)		1
	JTAS12-31	Power Cord (switch to motor) *		1
32	JTAS10-32	Power Cord		1
	JTAS12-32	Power Cord *		1
33	JTAS10-33	Power Cord Sleeve		1
	JTAS12-33	Power Cord Sleeve *		1
34	JTAS10L-34	Tilt Scale		1
35	JTAS10-35	Warning Label		1
36	JTAS10-36	JET Label		1
38	JTAS12L-38W	Cabinet		1
39	TS-1482101	Hex Cap Screw	M6x50	1
40	TS-0680021	Flat Washer	1/4	2
41	JTAS10-41	Spring		1
42	JTAS12L-42	Foam Strip		1
43	JTAS12L-43W	Motor Cover		1
44	TS-1540041	Hex Nut	M6	1
45	JTAS10-45	Handle		1
46	JTAS10-47	Cord Clamp Plate		1
	JTAS12-47	Cord Clamp Plate *		1
47	TS-0210011	Socket Head Cap Screw	7/16-14x3/4	4
48	TS-0680011	Flat Washer	3/16	2
49	JTAS12-50W	Lower Panel		1

Index No.	Part No.	Description	Size	Qty.
50	JTAS10-51W	Dust Hose Adapter		1
51	JTAS12-52W	Switch Brace Kit **		1
52	TS-081C062	Screw	#10-24x1	1
53	TS-0560071	Nut	#10-24	3
54	TS-0733031	Star Washer	#10	1

* Saws with 5HP, 1Ph motor use these parts.

** Switch Brace kit contains bracket, screw, nut, star washer, and 8mm hex wrench.

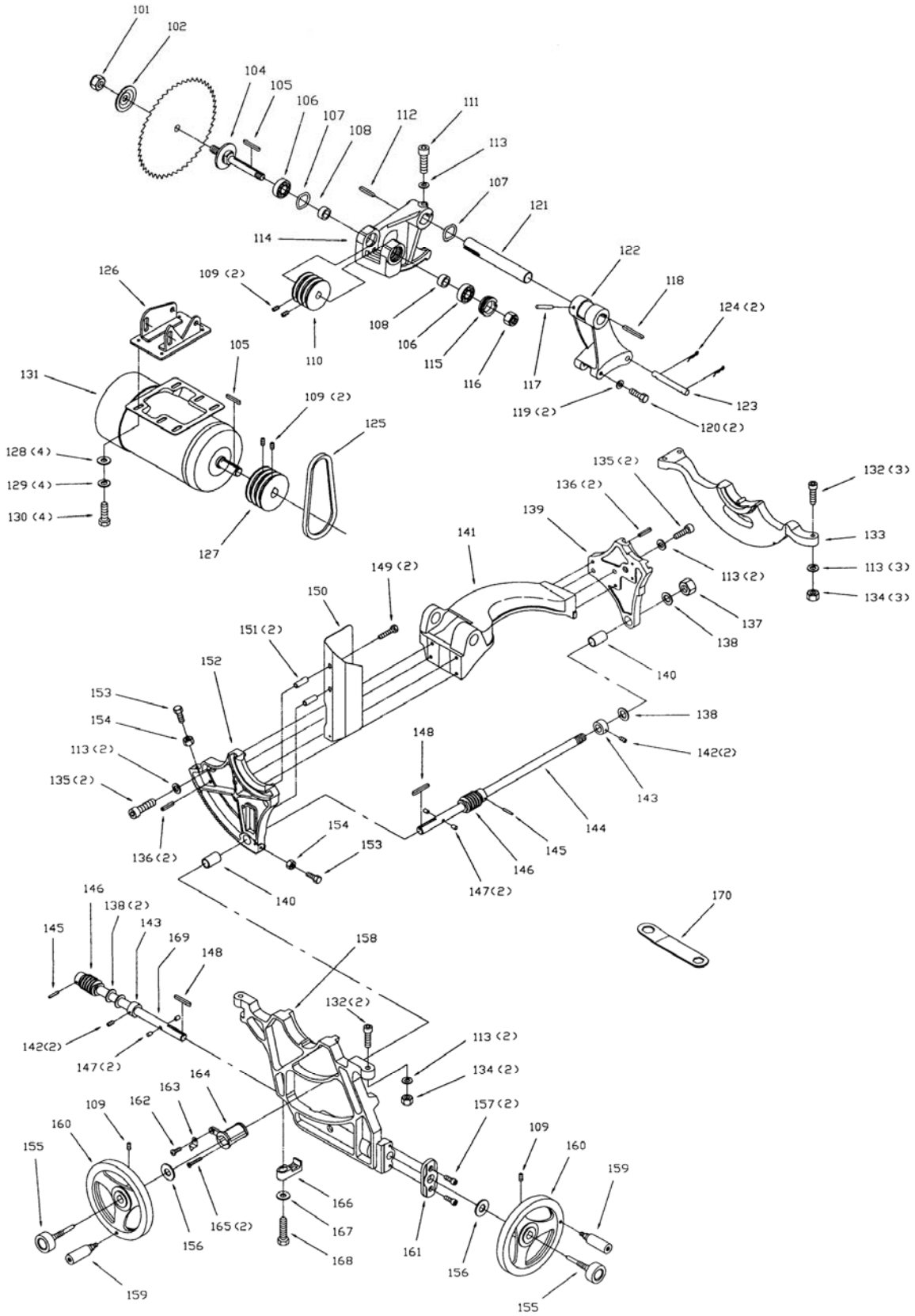
Blade Guard Assembly – JTAS-12XL



Blade Guard Assembly – JTAS-12XL

Index No.	Part No.	Description	Size	Qty.
	JTAS12L-BG	Blade Guard Assembly (# 1-10, 13, 23-26)		1
1	JTAS10-G1	Pin		1
2	JTAS12L-G2	Guard		1
3	TS-0207081	Socket Head Cap Screw	1/4-20x1-1/2	1
4	TS-0680021	Flat Washer	1/4	1
5	JTAS10-G5	Spacer		2
6	TS-0561011	Hex Nut	1/4-20	1
7	JTAS10-G7	Lock Grommet		3
8	JTAS10-G8	Warning Label		1
9	JTAS12-G9	Support Arm		1
10	JTAS10-G10	Pin		1
11	TS-0051051	Hex Cap Screw	5/16-18x1	2
12	JTAS10-G12	Plate		1
13	JTAS12-G13	Splitter		1
14	TS-0051071	Hex Cap Screw	5/16-18x1-1/2	2
15	TS-0680031	Flat Washer	5/16	4
16	JTAS10-G16	Upper Blade Guard Bracket		1
17	JTAS10-G17	Lower Blade Guard Bracket		1
18	TS-0720081	Lock Washer	5/16	5
19	TS-0561021	Hex Nut	5/16-18	2
20	TS-0270031	Set Screw	5/16-18x3/8	2
21	JTAS10-G21A	Shaft		1
22	TS-0720131	Lock Washer	5/8	1
23	JTAS10-G23	Pin		1
24	JTAS12-G24	Anti-Kickback Pawl		2
25	JTAS10-G25	Spring		1
26	JTAS10-G26	Spacer		2
27	TS-0680031	Flat Washer	5/16	1
28	TS-0051021	Hex Cap Screw	5/16-18x5/8	1
29	JTAS10L-G29	Bracket		1
30	TS-0208021	Socket Head Cap Screw	5/16-18x1/2	2
	477446	12mm Combination Wrench (not shown)		1

Motor and Trunnion Assembly – JTAS-12XL

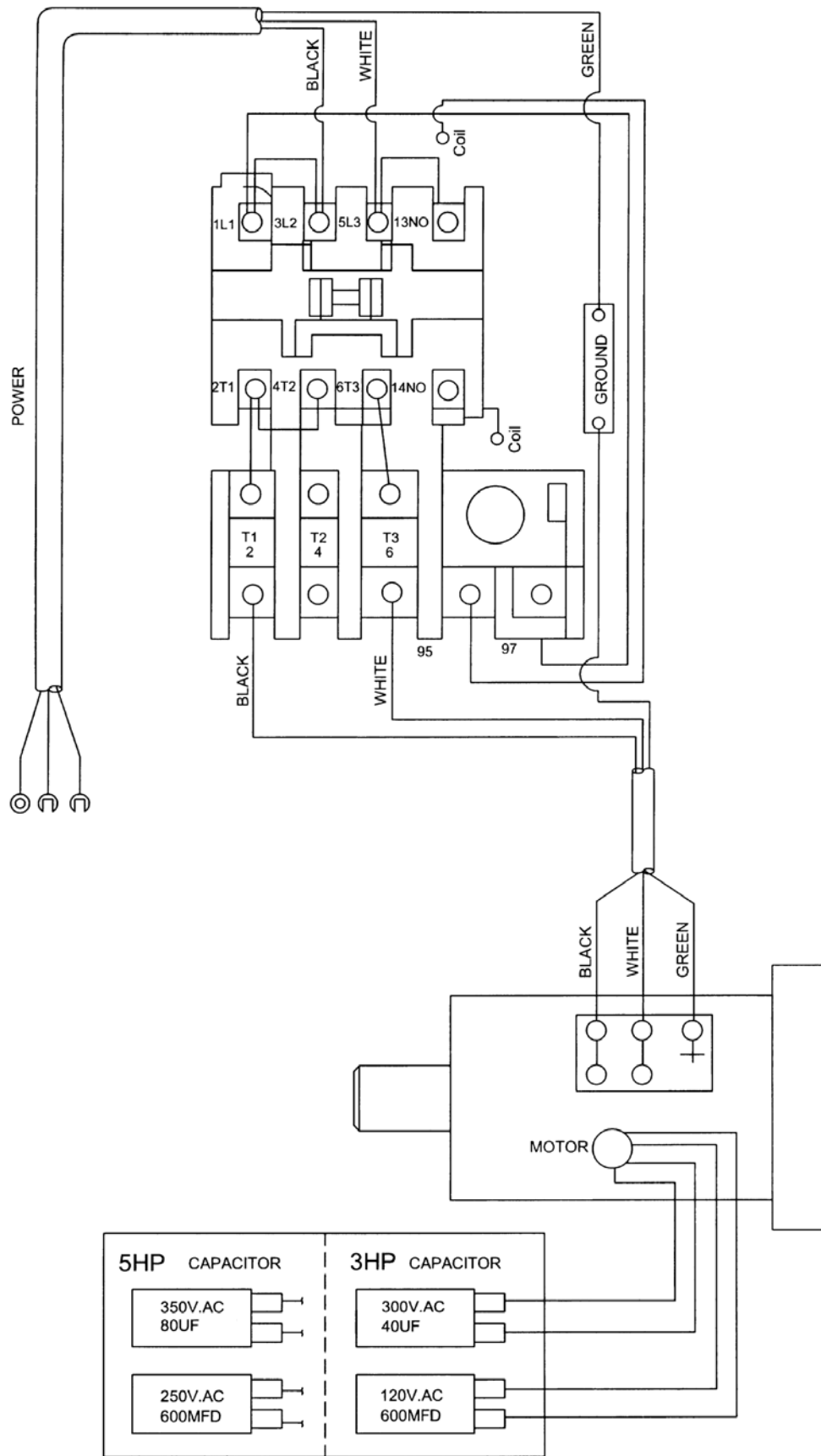


Motor and Trunnion Assembly – JTAS-12XL

Index No.	Part No.	Description	Size	Qty.
101	JTAS12L-101	Arbor Nut		1
102	JTAS12-102	Arbor Flange		1
104	JTAS12L-104	Arbor with Flange		1
105	JTAS12-105	Key	M5x1-1/2	2
106	BB-6005ZZ	Ball Bearing	6005ZZ	2
107	JTAS10-107	Wave Washer		2
108	JTAS12-108	Bearing Load Spacer		2
109	TS-0267041	Set Screw	1/4-20x3/8	6
110	JTAS12-110	Arbor Pulley		1
111	TS-0209081	Hex Socket Cap Screw	3/8-16x1-3/4	1
112	JTAS10-112	Key	1/4x50	1
113	TS-0720091	Lock Washer	3/8	10
114	JTAS12L-114	Arbor Bracket		1
115	JTAS12-115	Spanner Nut		1
116	TS-0561081	Hex Nut	3/4-10	1
117	JTAS10-117	Spring Pin	M6x50	1
118	JTAS10-118	Key	1/4x75	1
119	TS-0680051	Flat Washer	7/16	2
120	TS-0091031	Hex Cap Screw	7/16-14x1	2
121	JTAS10-121	Shaft		1
122	JTAS10L-122	Motor Bracket		1
123	JTAS10-123	Pin		1
124	JTAS10-124	Spring Clip		2
125	VB-A23	V-Belt	A-23	3
126	JTAS10L-126	Motor Mount		1
127	JTAS10-127	Motor Pulley		1
128	TS-0680031	Flat Washer	5/16	4
129	TS-0720081	Lock Washer	5/16	4
130	TS-0051031	Hex Cap Screw	5/16-18x3/4	4
131	JTAS12L-131	Motor (5HP, 1Ph, 230V only)		1
	JTAS10L-131A	Motor (5HP, 3Ph, 230/460V)		1
	JTAS10-1315B	Starting Capacitor (not shown)	5HP, 1Ph	1
	JTAS10-1315A	Running Capacitor (not shown)	5HP, 1Ph	1
132	TS-0209071	Socket Head Cap Screw	3/8-16x1-1/2	5
133	JTAS10L-133	Rear Trunnion Bracket		1
134	TS-0561031	Hex Nut	3/8-16	5
135	TS-0209051	Socket Head Cap Screw	3/8-16x1	4
136	JTAS10-136	Spring Pin	M8x25	4
137	TS-0561081	Hex Nut	3/4-10	1
138	JTAS10-138	Fiber Washer		4
139	JTAS10L-139	Rear Trunnion		1
140	JTAS10-140	Bushing		2
141	JTAS12L-141	Yoke		1
142	TS-0270011	Set Screw	5/16-18x1/4	4
143	JTAS10-143	Collar		2
144	JTAS12-144	Shaft		1
145	JTAS10-145	Spring Pin	M5x30	2
146	JTAS10-146	Worm		2
147	JTAS10-147	Lock Pin		4
148	JTAS10-148	Key	M5x35	2
149	JTAS12-149	Hex Cap Screw	5/16-18x1-1/2	2
150	JTAS12L-150	Dust Deflector		1

Index No.	Part No.	Description	Size	Qty.
151	JTAS10-151	Spacer		2
152	JTAS10L-152	Front Trunnion		1
153	TS-0051021	Hex Cap Screw	5/16-18x5/8	2
154	TS-0561021	Hex Nut	5/16-18	2
155	JTAS12L-155	Lock Knob		2
156	JTAS10-156	Fiber Washer		2
157	TS-0208101	Socket Head Cap Screw	5/16-18x2	2
158	JTAS12L-158	Front Trunnion Bracket		1
159	JTAS10L-159	Hand Wheel Handle		2
160	JTAS10L-160	Hand Wheel		2
161	JTAS12-161	Adapter		1
162	TS-0813022	Round Head Screw	1/4-20x3/8	1
163	JTAS10-163	Pointer		1
164	JTAS10-164	Pointer Bracket		1
165	TS-081C102	Pan Head Screw	#10-24x2	2
166	JTAS10-166	Guide Block		1
167	TS-0680041	Flat Washer	3/8	1
168	TS-0060071	Hex Cap Screw	3/8-16x1-1/2	1
169	JTAS12-169	Tilt Shaft		1
170	JTAS12-170	Wrench		1

Electrical Schematic - Single Phase



Electrical Schematic - Three Phase

