

Parts

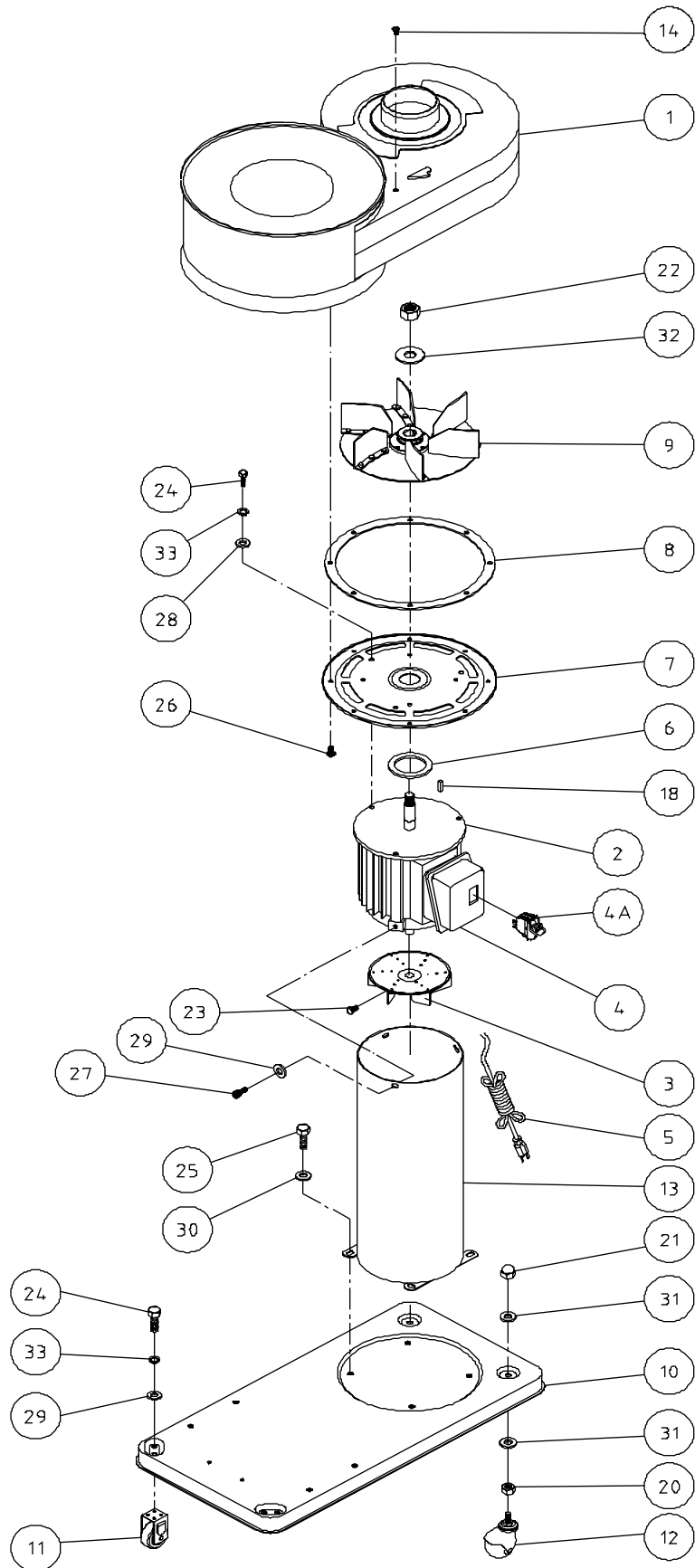
Replacement Parts

Replacement parts are listed in the Parts List on the following pages. To order parts or reach our service department, call 1-800-274-6848, Monday through Friday (see our website for business hours, www.waltermeier.com). Having the Model Number and Serial Number of your machine available when you call will allow us to serve you quickly and accurately.

Parts List – Base Machine

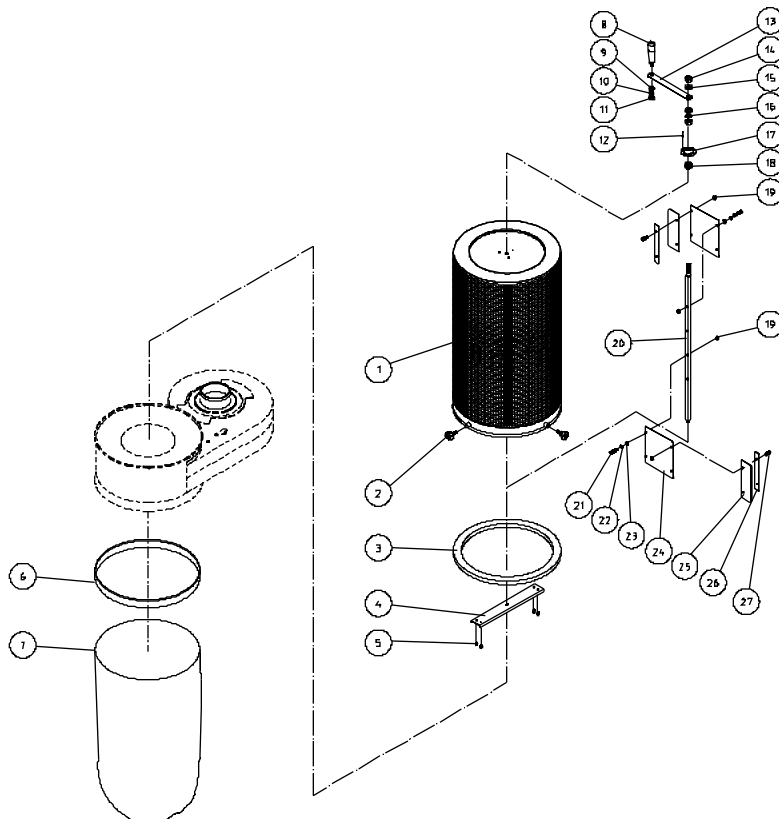
Index No.	Part No.	Description	Size	Qty
1	422109W	Impeller Housing		1
2	MH422001	Motor		1
	CA020010	Starting Capacitor (not shown)	200MFD, 125V	1
	994612	Centrifugal Switch (not shown)		1
	994613	Centrifugal Switch Rotor (not shown)		1
3	M4220F	Motor Fan		1
4	MJ422001	Switch Box		1
4A	994532	Switch		1
5	IC422001	Power Cord		1
6	423023	Packing		1
7	412025W	Flange		1
8	410030	Flange Packing		1
9	AB410033	Impeller	9-1/2"	1
10	423038W	Base		1
11	423044	Fixed Caster		2
12	410003	Pivoting Caster		2
13	422018W	Support Cylinder		1
14	TS-1534042	Pan Head Screw	M6x12	1
18	KS050525	Key	5x5x25 mm	1
20	TS-0561031	Hex Nut	3/8"-16	2
21	TS-059303	Cap Nut	3/8"-16	2
22	NH602303	Hex Nut (LH)	5/8"	1
23	TS-0050011	Hex Cap Screw	1/4"-20x1/2"	1
24	TS-1482021	Hex Cap Screw	M6x12	7
25	TS-1490011	Hex Cap Screw	M8x12	4
26	TS-1534042	Pan Head Screw	M6x12	8
27	TS-1503041	Socket Head Cap Screw	M6x16	3
28	TS-1550041	Flat Washer	M6	3
29	TS-1550041	Flat Washer	M6	7
30	TS-1550061	Flat Washer	M8	4
31	TS-1550071	Flat Washer	M10	4
32	TS-155010	Flat Washer	M16	1
33	TS-2361061	Lock Washer	M6	7
	DC-IGW	Inlet Guard Warning Label (not shown)		1
	DC-MBW	Motor Bracket Warning Label (not shown)		1
	DC650C-HP	Hardware Package		1

Parts Breakdown – Base Machine



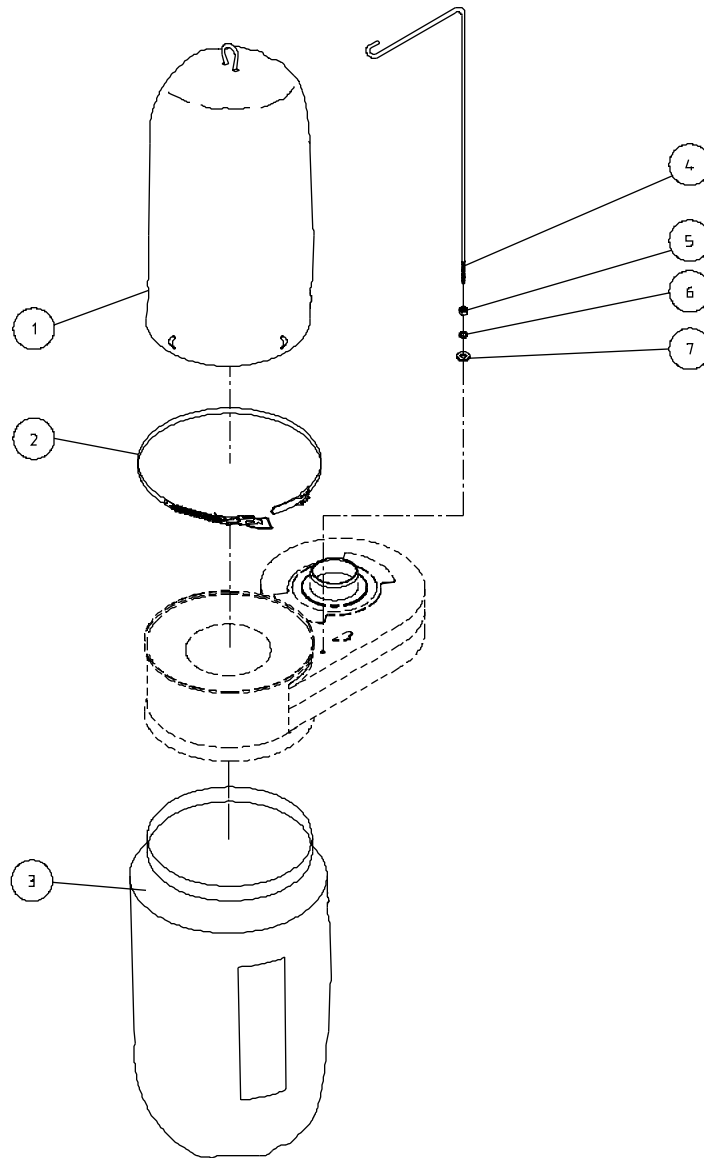
Canister Filter Assembly

Index No.	Part No.	Description	Size	Qty
1	708737	Canister Filter		1
2	331037	JET Knob	M6x20	4
3	331047	Pad		1
4	331042	Support		1
5	ST049200	Tapping Screw	M4x8	4
6	331048	Snap Ring		1
7	709565	Clear Plastic Collection Bag (Package of 5)		1
8	200076	Handle		1
9	TS-1550061	Flat Washer	M8	1
10	TS-2361081	Lock Washer	M8	1
11	TS-1540061	Hex Nut	M8	1
12	BR000052	Rivet	5-2	3
13	331011	Arm		1
14	TS-1540071	Hex Nut	M10	2
15	TS-1550071	Flat Washer	M10	2
16	TS-2361101	Lock Washer	M10	1
17	331014	Bracket		1
18	150623	Pad		1
19	TS-1540041	Hex Nut	M6	8
20	331010	Shaft		1
21	TS-1482041	Hex Cap Screw	M6x20	4
22	TS-2361061	Lock Washer	M6	4
23	TS-1550041	Flat Washer	M6	4
24	331043	Scraper		2
25	331017	Strip		2
26	331015	Plate		2
27	TS-1482021	Hex Cap Screw	M6x12	4
	DC650-CHP	Canister Hardware Package (index # 2, 8-11, 13-16)		



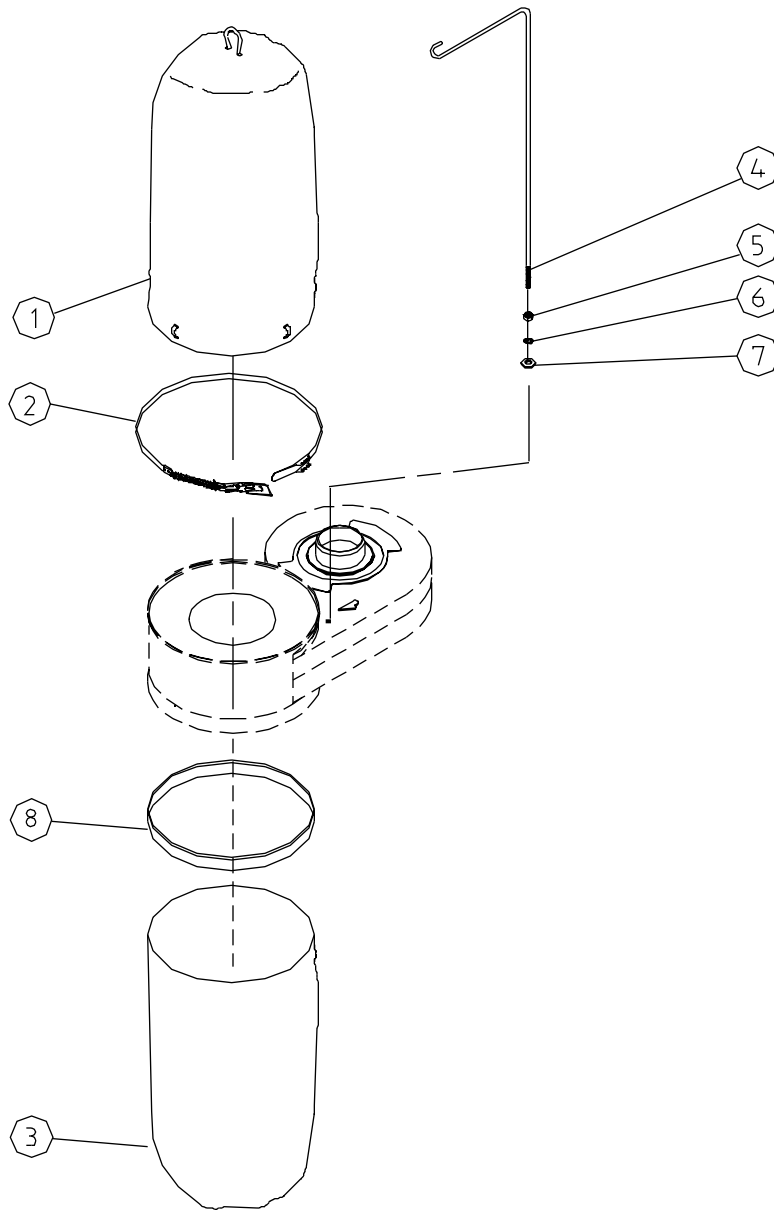
30 Micron Filter Bag Assembly

Index No.	Part No.	Description	Size	Qty
1.....	708695.....	Filter Bag	30 Micron.....	1
2.....	AB422028	Retainer Strap		1
3.....	708697A	Collector Bag.....		1
4.....	427043.....	Hanger		1
5.....	TS-1540041	Hex Nut	M6.....	1
6.....	TS-2361061	Lock Washer	M6.....	1
7.....	TS-1550041	Flat Washer.....	M6.....	1
.....	DC650-FHP.....	Filter Bag Hardware Package (index # 5,6,7)		



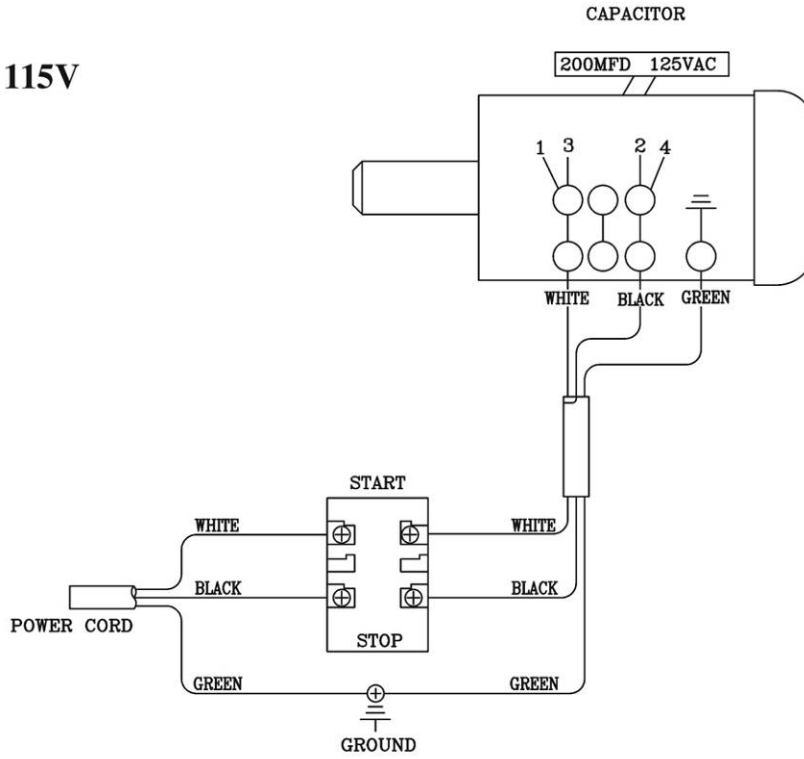
5 Micron Filter Bag Assembly

Index No.	Part No.	Description	Size	Qty
1	708701	Filter Bag	5 Micron	1
2	AB422028	Retainer Strap		1
3	709565	Clear Plastic Collection Bag (Package of 5)		1
4	427043	Hanger		1
5	TS-1540041	Hex Nut	M6	1
6	TS-2361061	Lock Washer	M6	1
7	TS-1550041	Flat Washer	M6	1
8	331048	Snap Ring		1
	DC650-FHP	Filter Bag Hardware Package (index # 5,6,7)		1



Wiring Diagrams for DC-650

115V



230V

