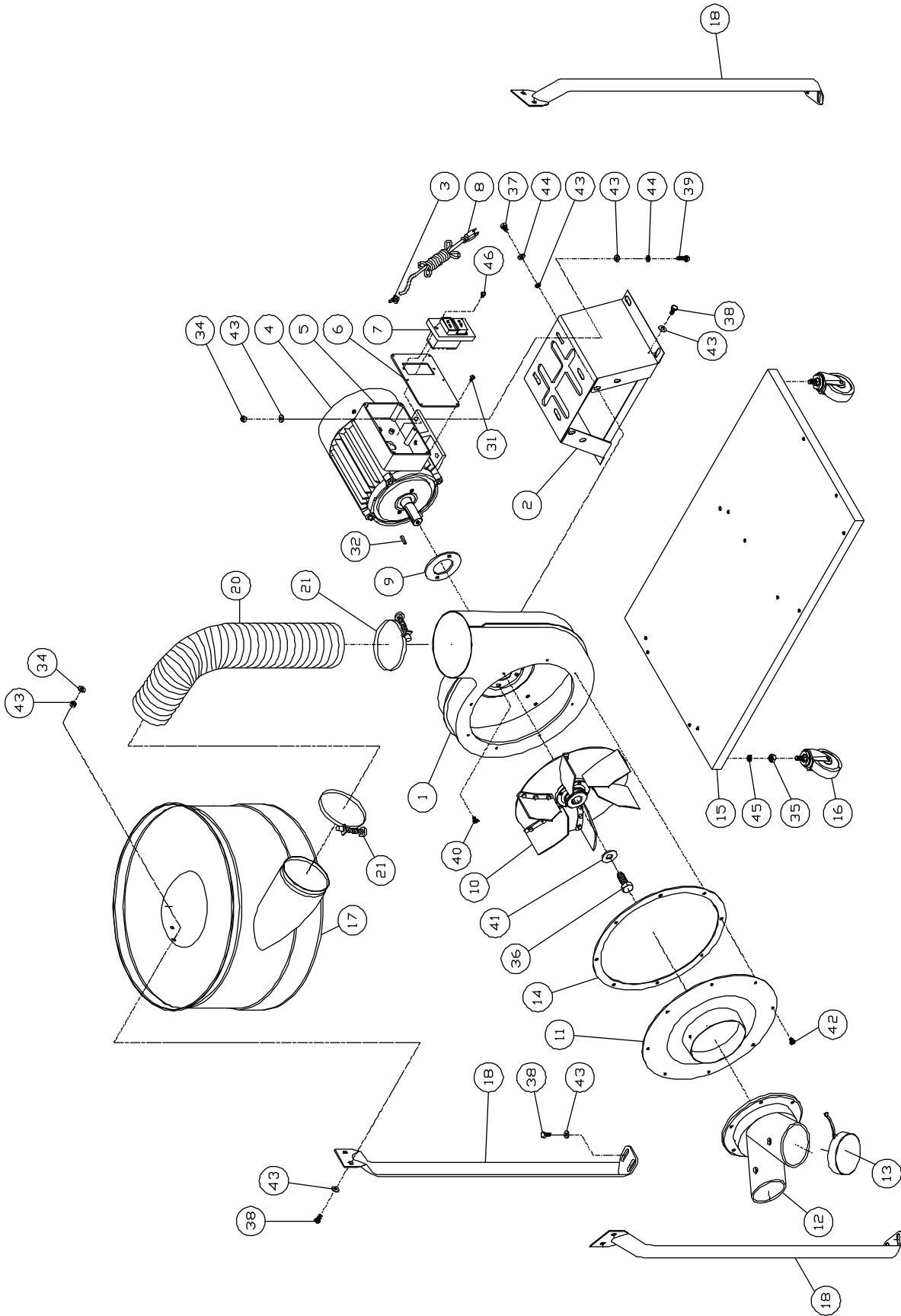


Parts Breakdown – DC-1100 Dust Collectors



Parts List – DC-1100 Dust Collectors

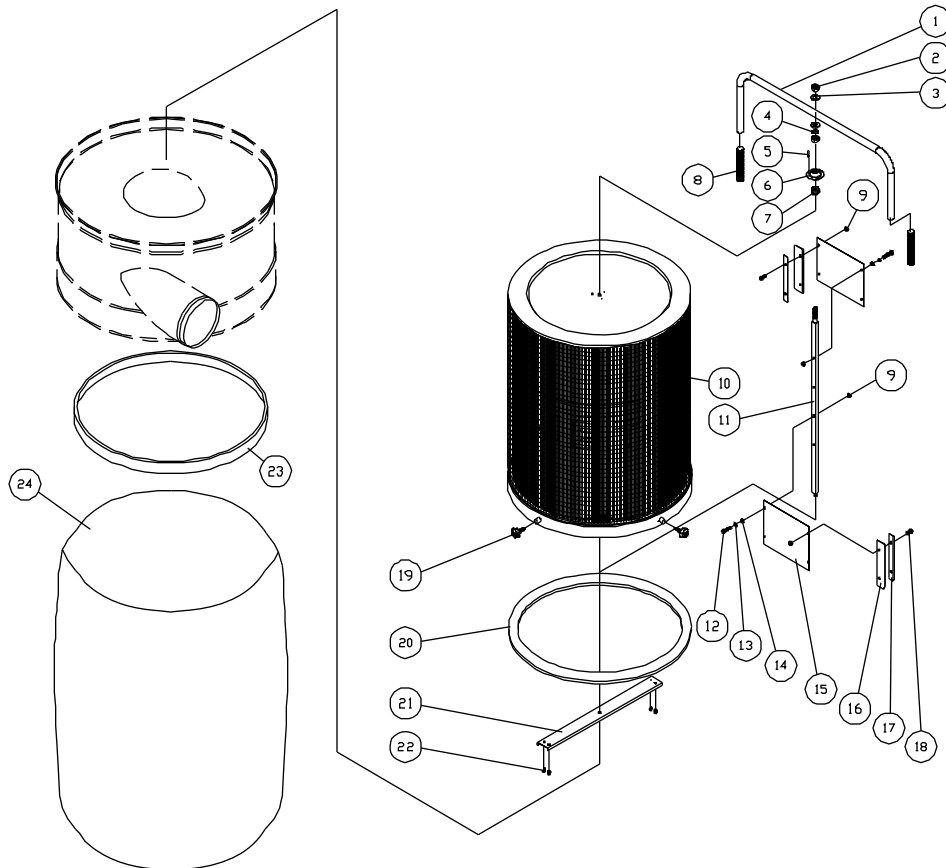
Ordering Replacement Parts

To order parts or reach our service department, call 800-274-6848, Monday through Friday (see our website for business hours, www.waltermeier.com). Having the Model Number and Serial Number of your machine available when you call will allow us to serve you quickly and accurately.

| Index No. | Part No. | Description | Size | Qty |
|-----------|------------|--------------------------------------|----------------|-----|
| 1 | 411035W | Impeller Housing | | 1 |
| 2 | 411026W | Motor Bracket | | 1 |
| 3 | 998621 | Strain Relief | | 1 |
| 4 | MA2041J1W | Motor | 1-1/2 HP, 1Ph | 1 |
| | DC1100-50W | Motor Fan Cover (not shown) | | 1 |
| | DC1100-51 | Motor Fan (not shown) | | 1 |
| | DC1100-54 | Running Capacitor (not shown) | 40uf, 250V | 1 |
| | DC1100-55 | Starting Capacitor (not shown) | 400MFD, 125VAC | 1 |
| | DC1100-52 | Centrifugal Switch (not shown) | | 1 |
| | DC1100-53 | Centrifugal Switch Rotor (not shown) | | 1 |
| 5 | 411051 | Switch Box | | 1 |
| 6 | 411053 | Switch Plate | | 1 |
| 7 | 994542 | Switch | | 1 |
| 8 | 999910 | Power Cord | | 1 |
| 9 | 420051 | Motor Packing | | 1 |
| 10 | AB411040 | Impeller | 11" | 1 |
| 11 | 411036W | Inlet Guard | | 1 |
| 12 | 427028 | Inlet Port | 2 @ 4" | 1 |
| 13 | 420203 | Inlet Cap | | 1 |
| 14 | 430034 | Inlet Flange Packing | | 1 |
| 15 | 411041W | Base | | 1 |
| 16 | 402036 | Pivoting Caster | | 4 |
| 17 | 420012W | Housing | 20" | 1 |
| 18 | 402004W | Support | | 3 |
| 20 | 411009 | Hose | | 1 |
| 21 | 420010 | Ring Clamp | 5" | 2 |
| 31 | ST050204 | Tapping Screw | M5x10 | 6 |
| 32 | KS050525 | Key | 5x5x25 mm | 1 |
| 34 | TS-1540061 | Hex Nut | M8 | 10 |
| 35 | TS-0561031 | Hex Nut | 3/8"-16UNC | 4 |
| 36 | TS-1490031 | Hex Cap Screw | M8x20 | 1 |
| 37 | TS-1490011 | Hex Cap Screw | M8x12 | 4 |
| 38 | TS-1490021 | Hex Cap Screw | M8x16 | 16 |
| 39 | TS-1490041 | Hex Cap Screw | M8x25 | 4 |
| 40 | SF069300 | Pan Head Screw W/Flange | M6x12 | 2 |
| 41 | TS-1550061 | Flat Washer | M8 | 1 |
| 42 | SF069300 | Pan Head Screw W/Flange | M6x12 | 8 |
| 43 | TS-1550061 | Flat Washer | M8 | 34 |
| 44 | TS-2361081 | Lock Washer | M8 | 8 |
| 45 | TS-2361101 | Lock Washer | M10 | 4 |
| 46 | ST059200 | Tapping Screw | M5x8 | 2 |
| | DC1200-53 | Grounding Label (not shown) | | 1 |
| | DC1200-54 | Direction Label (not shown) | | 1 |
| | DC1100-ID | I.D. Label (not shown) | | 1 |
| | DC1100-HP | Hardware Package for Base Unit | | 1 |
| | DC1100-HP2 | Hardware Package for Cone Assembly | | 1 |
| | DC1100-WL | Warning Label (not shown) | | 1 |

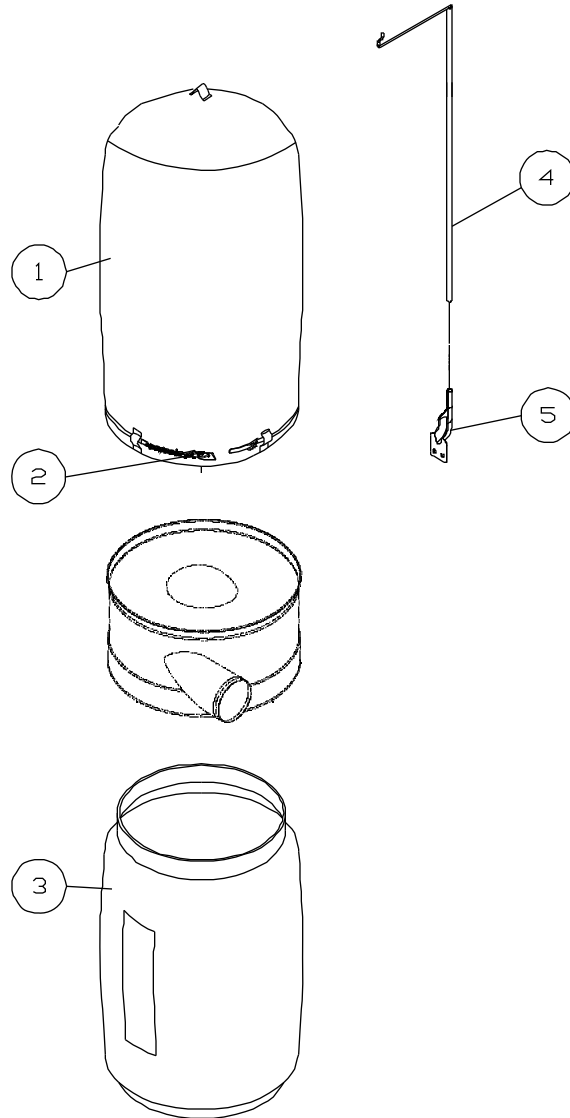
Canister Filter Kit (708639B)

| Index No. | Part No. | Description | Size | Qty |
|-----------|------------|-----------------------------------|-------|-------|
| | 708639B | Canister Filter Kit (index #1-24) | | |
| 1..... | 331050 | Handle | | 1 |
| 2..... | TS-1540071 | Hex Nut | M10 | 2 |
| 3..... | TS-1550071 | Flat Washer | M10 | 2 |
| 4..... | TS-2361101 | Lock Washer | M10 | 1 |
| 5..... | BR000052 | Rivet | 5-2 | 3 |
| 6..... | 331014 | Bracket | | 1 |
| 7..... | 150623 | Pad | | 1 |
| 8..... | 331051 | Soft Grip Handle | | 2 |
| 9..... | TS-1540041 | Hex Nut | M6 | 8 |
| 10..... | 708739 | Filter | | 1 |
| 11..... | 331052 | Shaft | | 1 |
| 12..... | TS-1482041 | Hex Cap Screw | M6X20 | 4 |
| 13..... | TS-2361061 | Lock Washer | M6 | 4 |
| 14..... | TS-1550041 | Flat Washer | M6 | 4 |
| 15..... | 331012 | Scraper | | 2 |
| 16..... | 331017 | Strip | | 2 |
| 17..... | 331015 | Press Plate | | 2 |
| 18..... | TS-1482021 | Hex Cap Screw | M6x12 | 4 |
| 19..... | 331037 | Knob | | 4 |
| 20..... | 331031 | Pad | | 1 |
| 21..... | 331009 | Support | | 1 |
| 22..... | ST049200 | Tapping Screw | M4X8 | 4 |
| 23..... | 331038 | Snap Ring | | 1 |
| 24..... | 709563 | Plastic Bag (Package of 5) | | 1 |
| | DC1100-CHP | Canister Hardware Package | | |



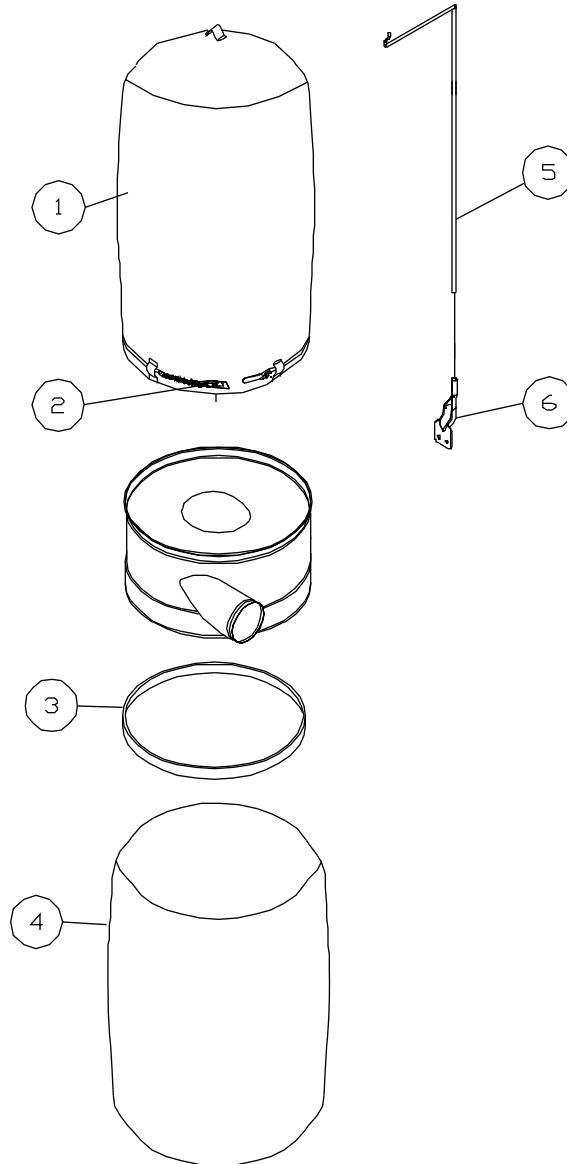
30-Micron Filter Bag Kit (708636F)

| Index No. | Part No. | Description | Size | Qty |
|-----------|---------------|--|----------------|-----|
| | 708636F..... | 30-Micron Filter and Collection Bag Kit (index # 1-5)..... | | |
| 1..... | 708698..... | Filter Bag..... | 30 Micron..... | 1 |
| 2..... | AB410012..... | Retainer Strap..... | | 1 |
| 3..... | 708699A..... | Collector Bag..... | | 1 |
| 4..... | 430038..... | Hanger..... | | 1 |
| 5..... | 523011W..... | Hanger Bracket..... | | 1 |



5-Micron Filter Bag Kit (708636MF)

| Index No. | Part No. | Description | Size | Qty |
|-----------|----------------|--|---------------|-----|
| | 708636MF | 5-Micron Filter and Collection Bag Kit (index # 1-6) | | |
| 1..... | 708706..... | Filter Bag | 5 Micron..... | 1 |
| 2..... | AB410012 | Retainer Strap | | 1 |
| 3..... | 331038..... | Snap Ring | | 1 |
| 4..... | 709563..... | Plastic Bag (Package of 5) | | 1 |
| 5..... | 430038..... | Hanger | | 1 |
| 6..... | 523011W | Hanger Bracket | | 1 |



Wiring Diagram – DC-1100 Dust Collectors

